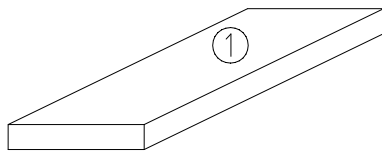
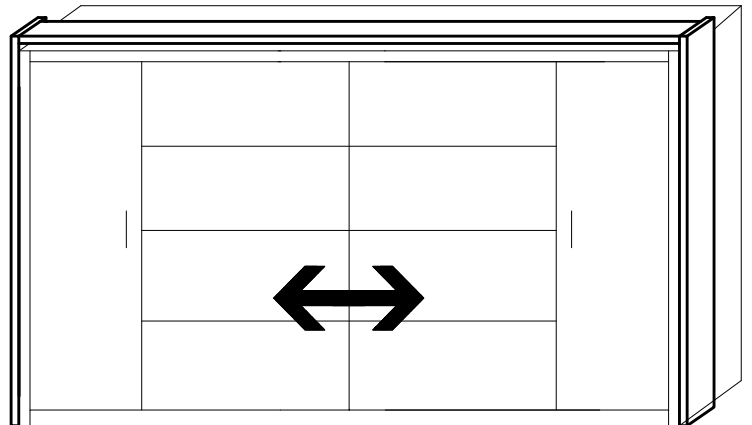
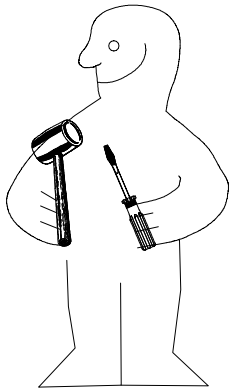
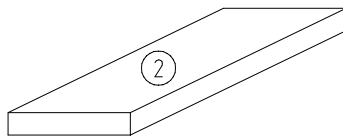


980013

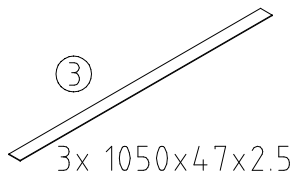
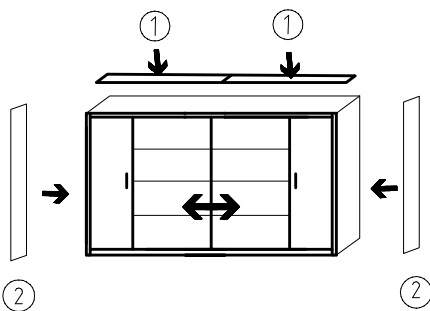


2x 185x32

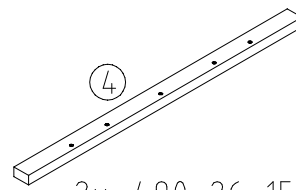


2x 2114x188 x 32

			4 X 27mm SP27 122620	14x
			H5 114 183	3x
			4,0 x 15 mm G23 121 110	8x
			SP60 121 126	6x
			4,5 X 60 mm NA15 129 400	15x

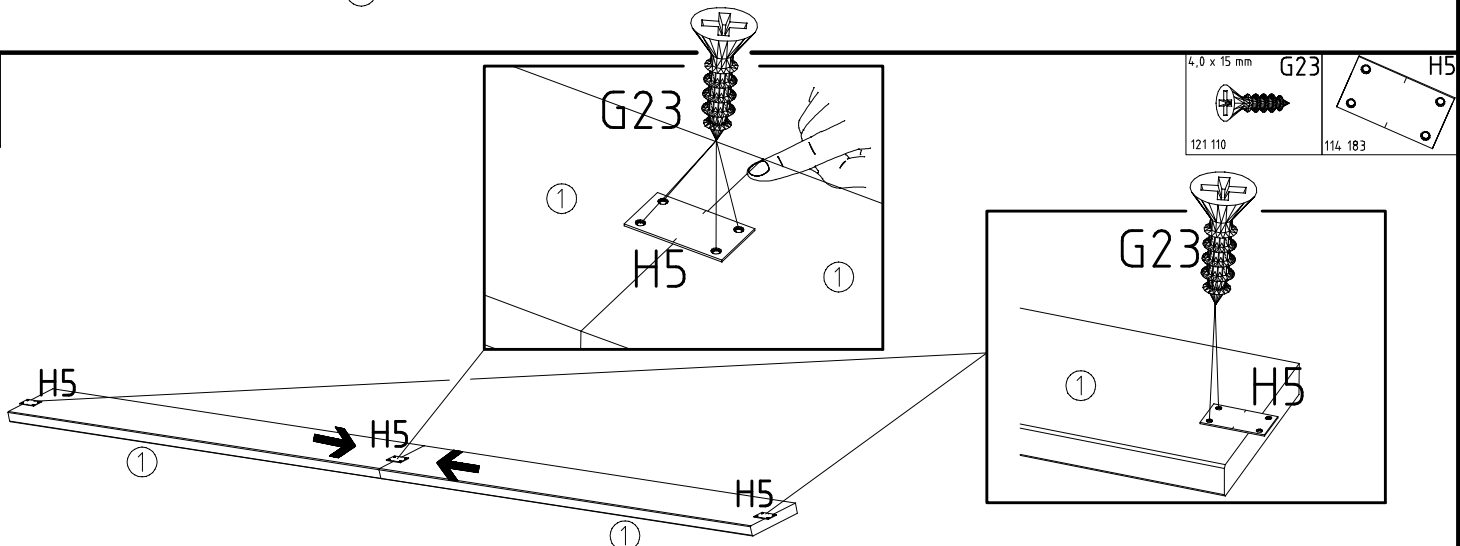


3x 1050x47x2.5



2x 490x26x15

1



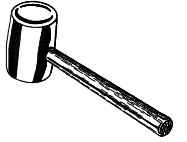
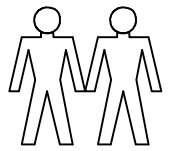
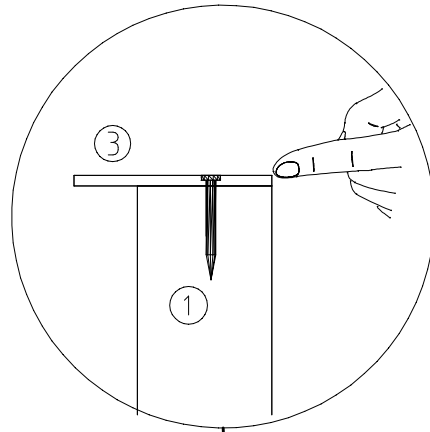
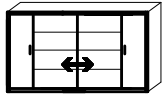
980013

28.03.23 /

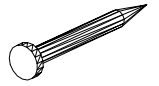
03 23

1/5

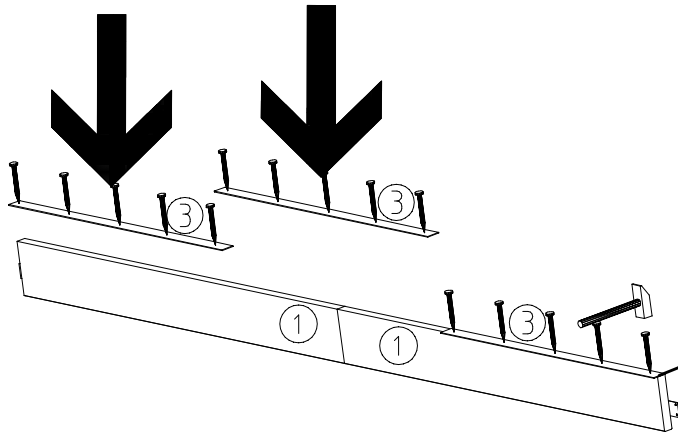
2



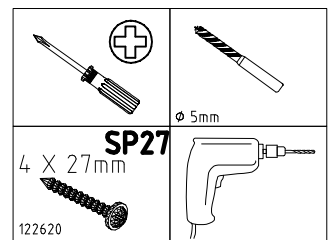
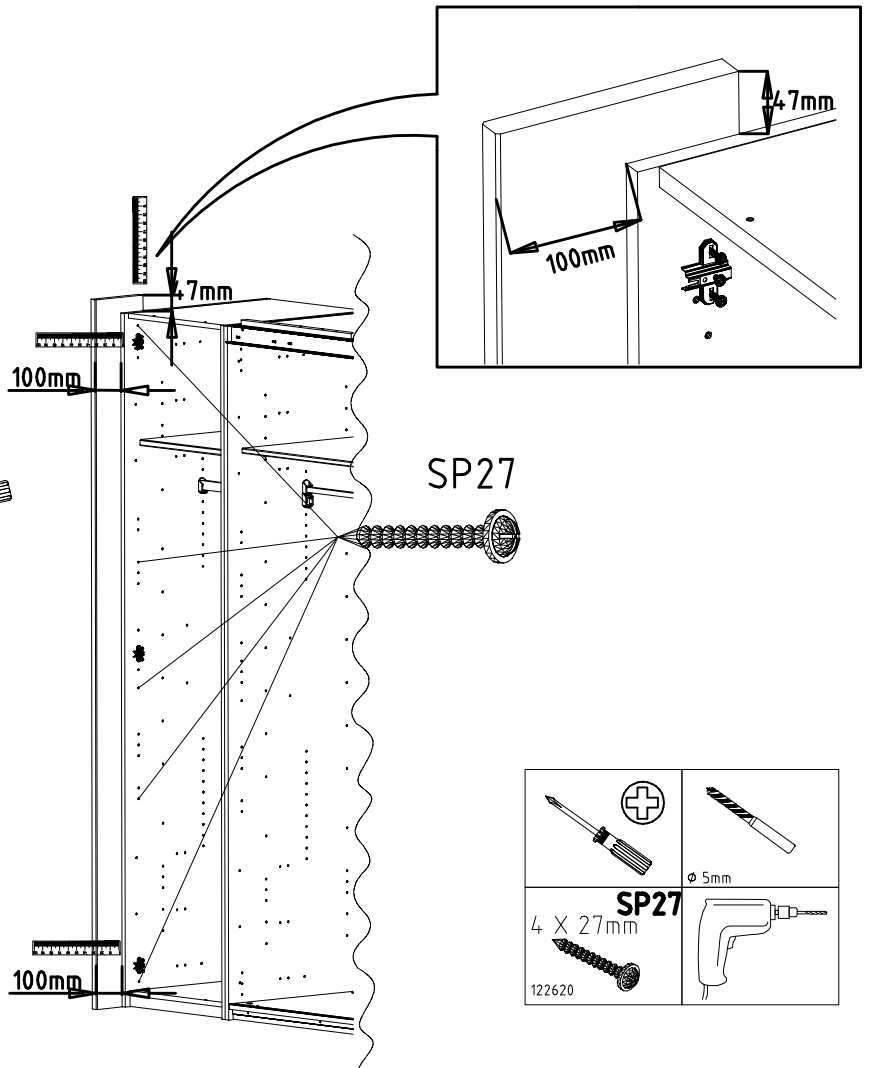
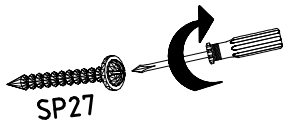
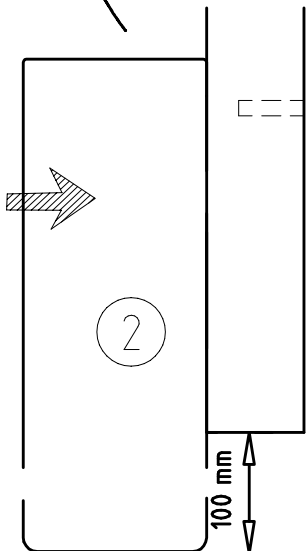
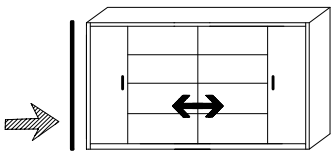
NA15



129 400

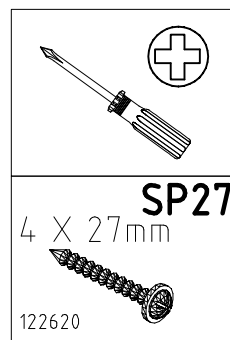
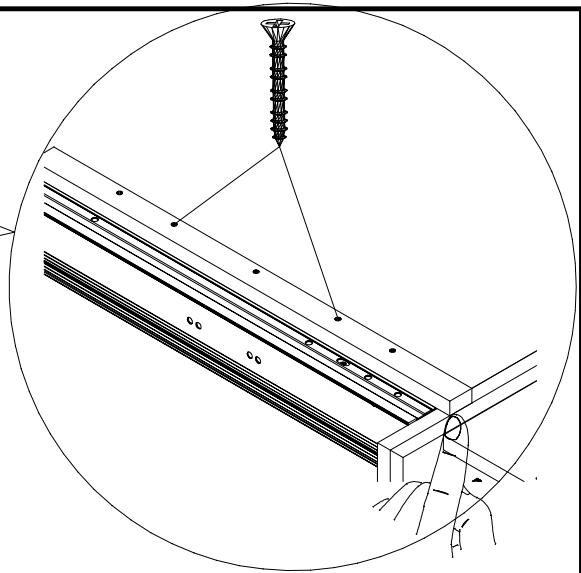
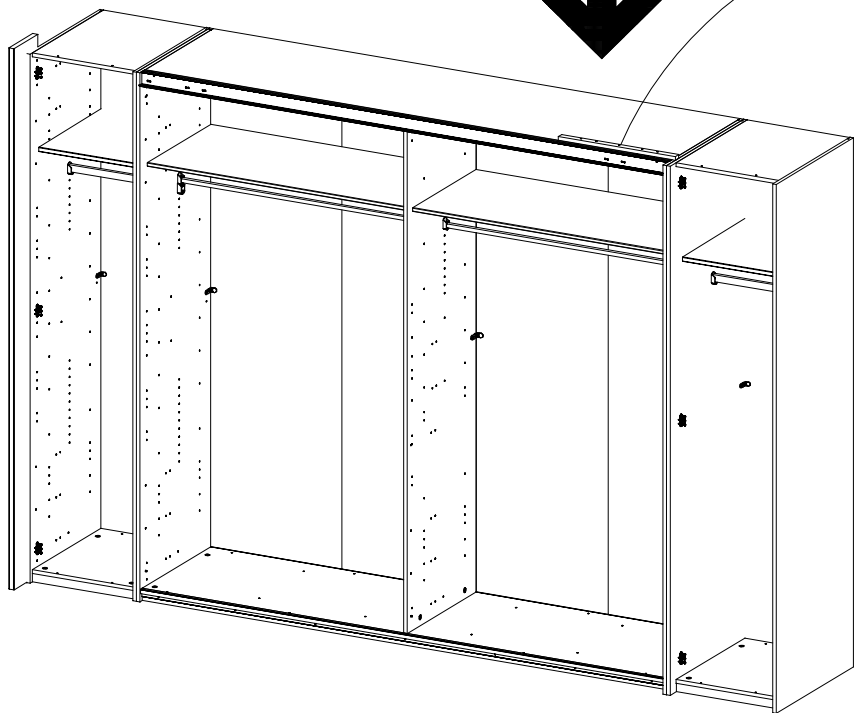
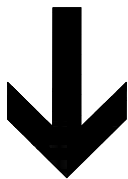


3



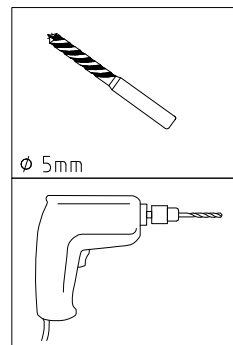
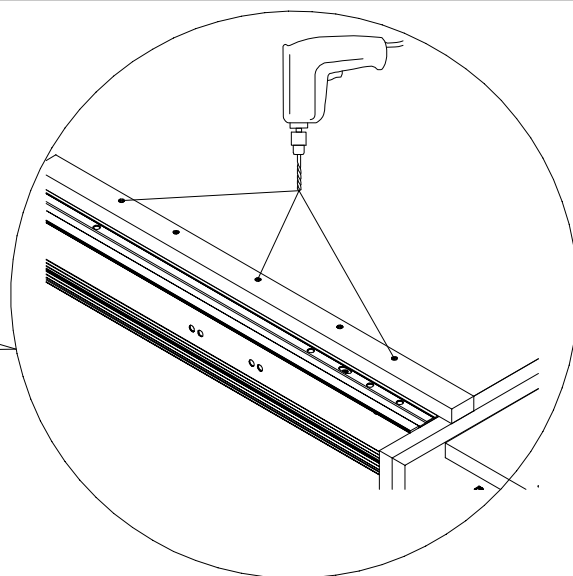
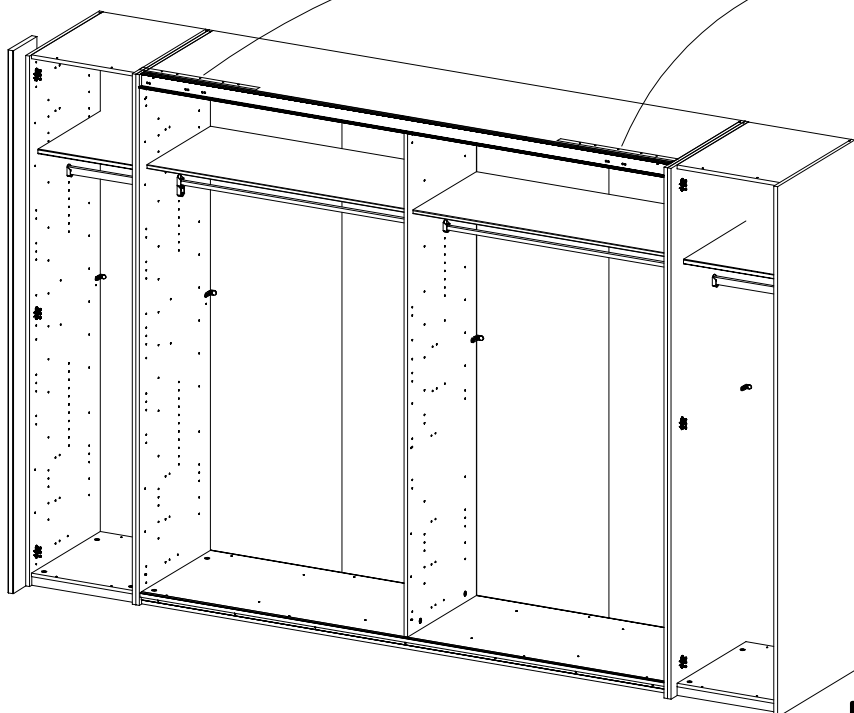
122620

4



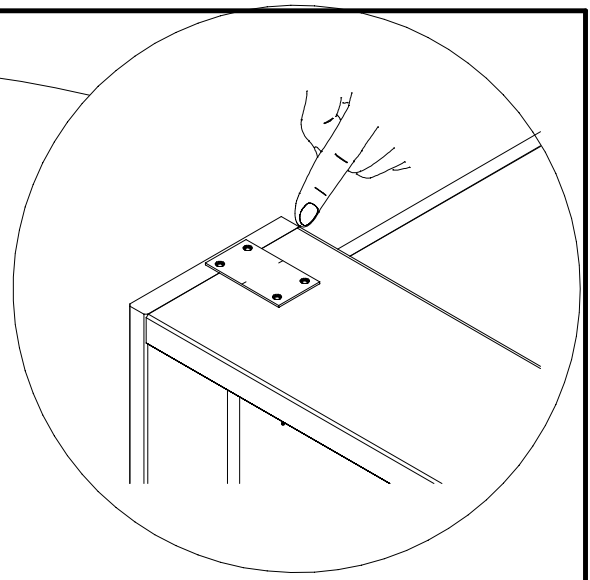
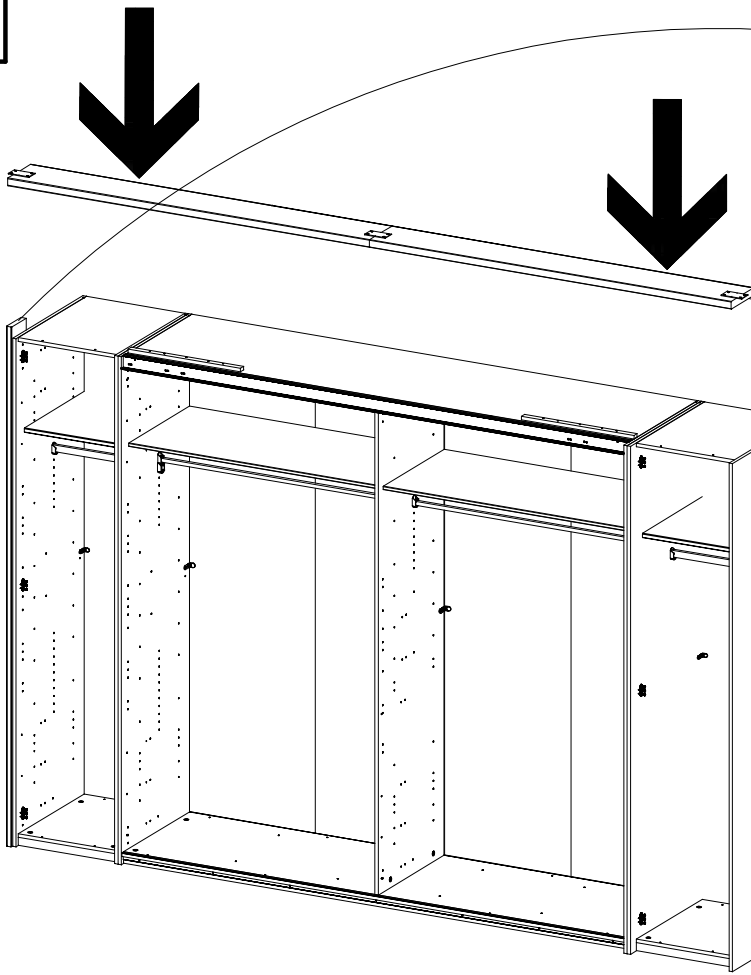
SP27
4 X 27mm
122620

5

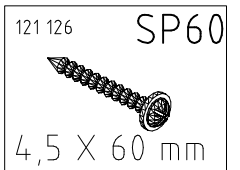
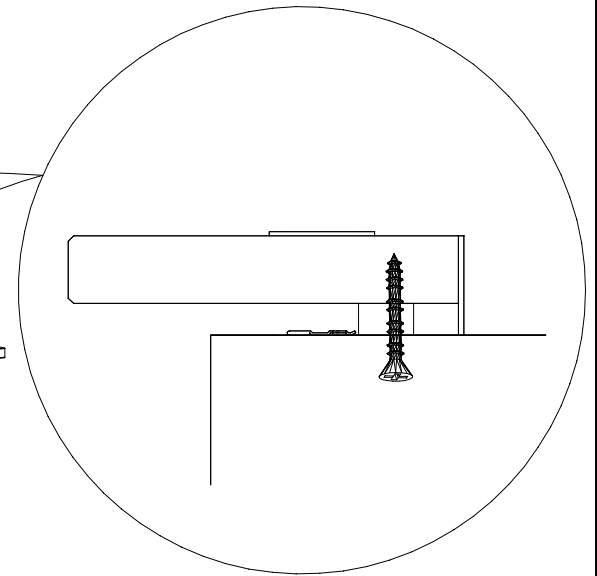
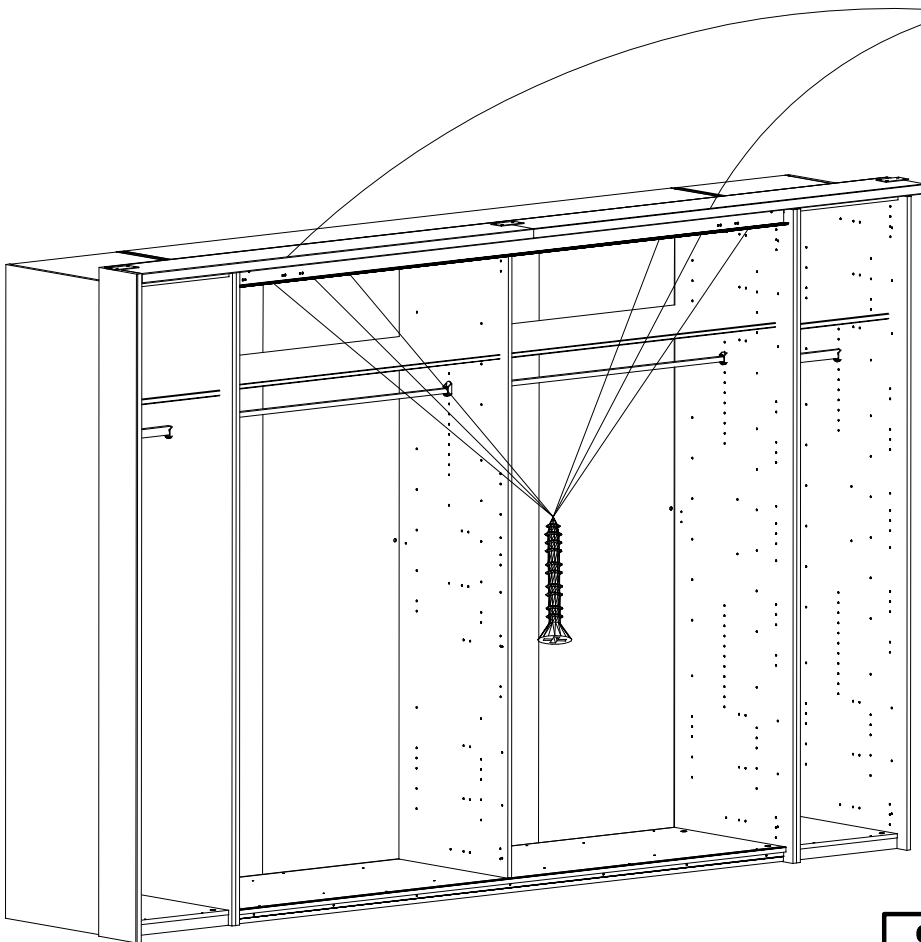


∅ 5mm

6

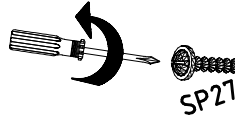
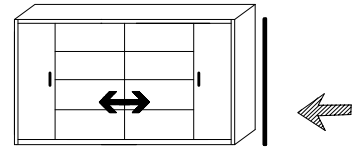
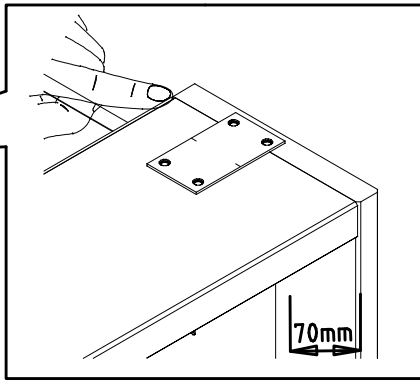
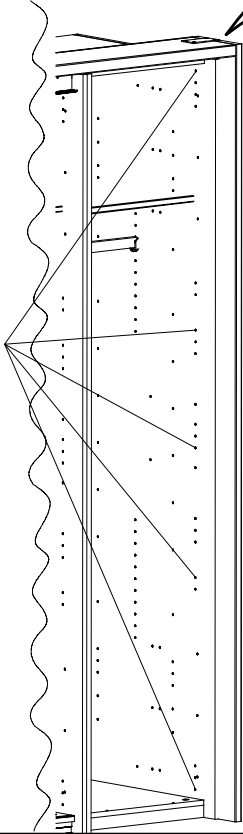


7



8

SP27



SP27

