

JARDINO DINING TABLE

ASSEMBLY MANUAL

1
8x

2
16x

3
2X



M10x55MM

4
16x

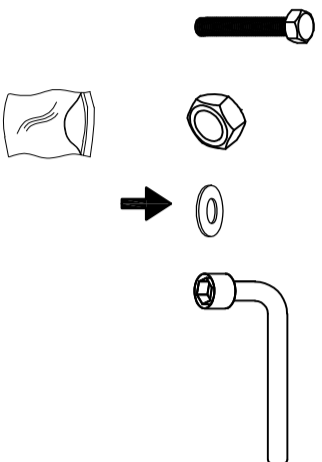
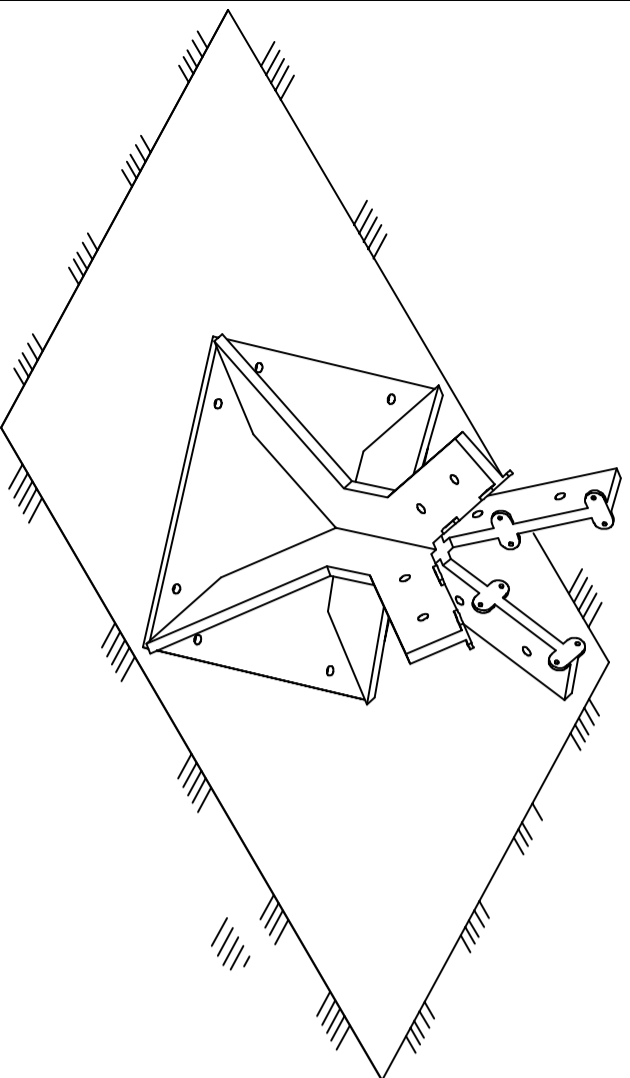
5
8x

6
1x

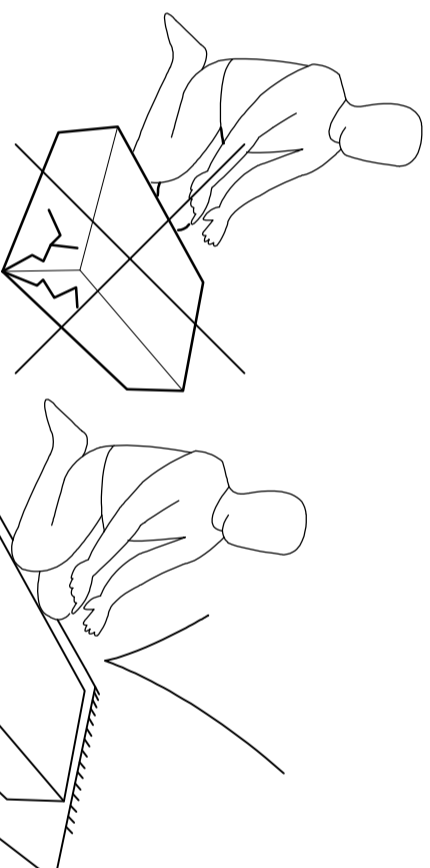
M4x25MM

NOT INCLUDED

1

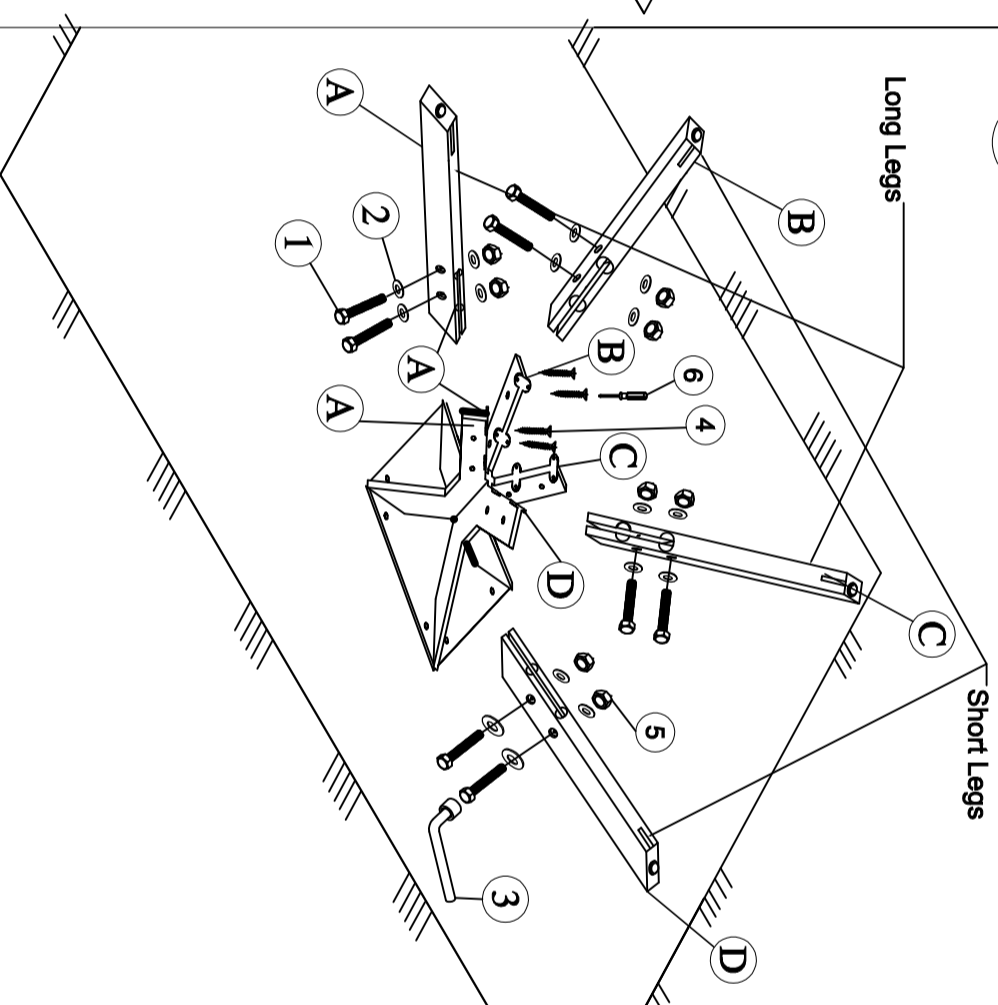


HARD WARE

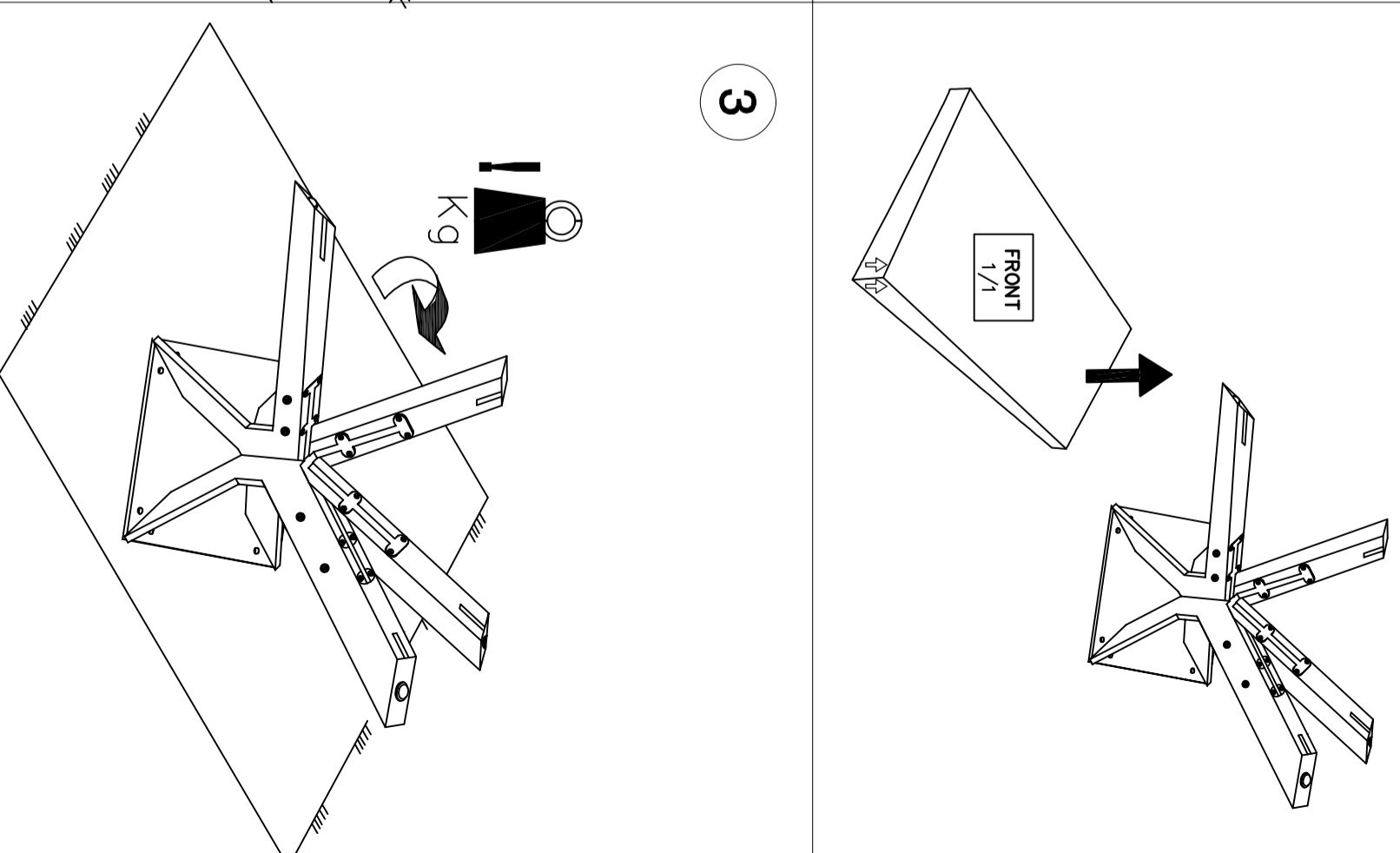


2

A OF METAL LEGS WILL BE ASSEMBLED WITH A OF WOODEN LEG.
SAME ASSEMBLING REQUIREMENT FOR B,C,D

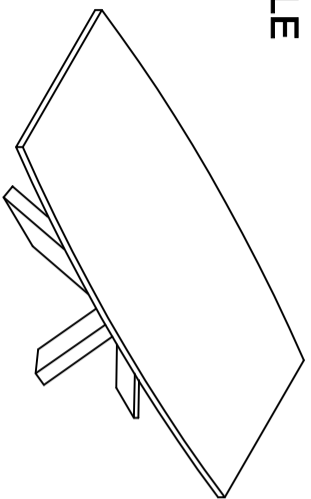


3



JARDINO DINING TABLE

ASSEMBLY MANUAL

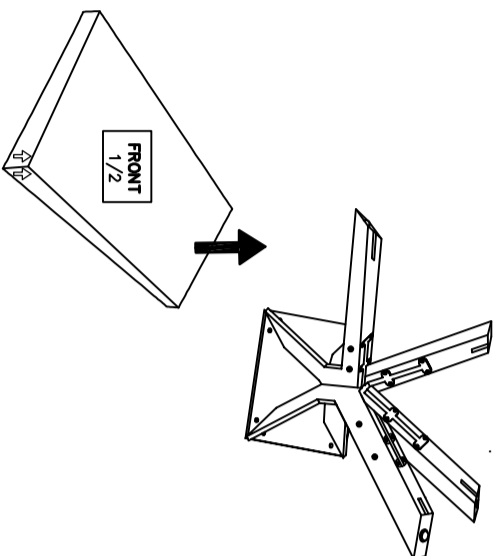
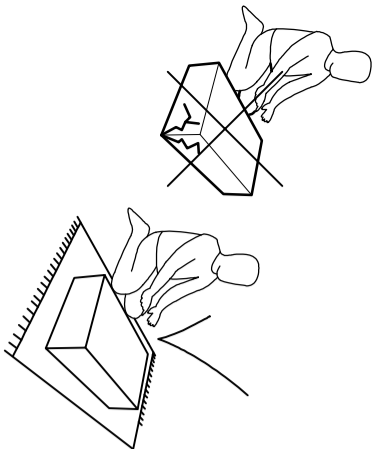


A
8x

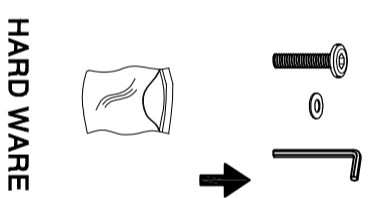
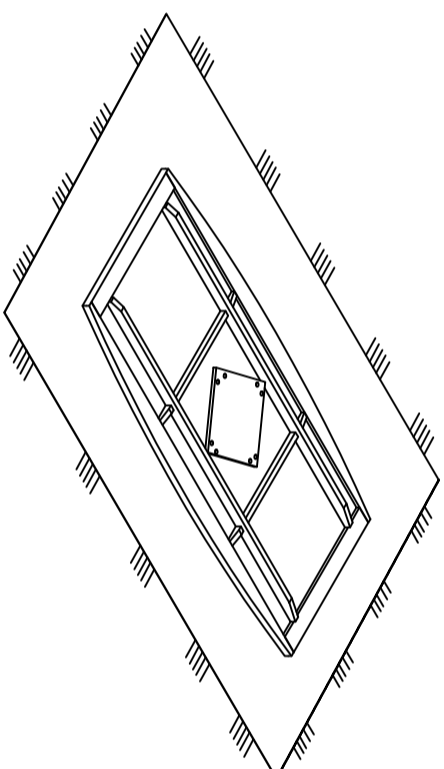
B
8x

C
1x

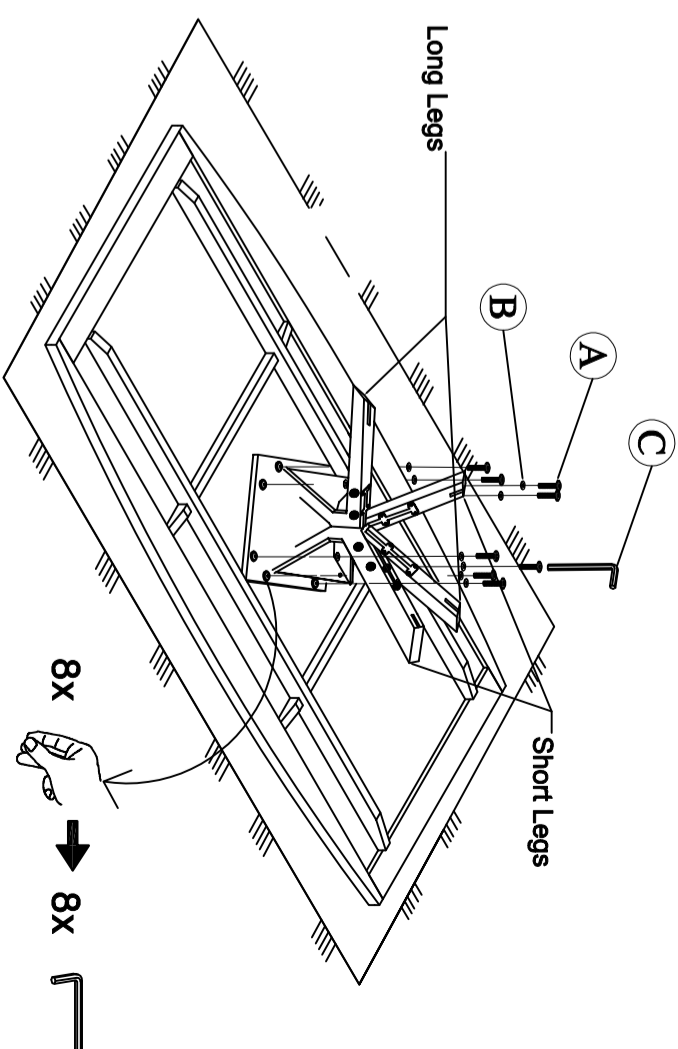
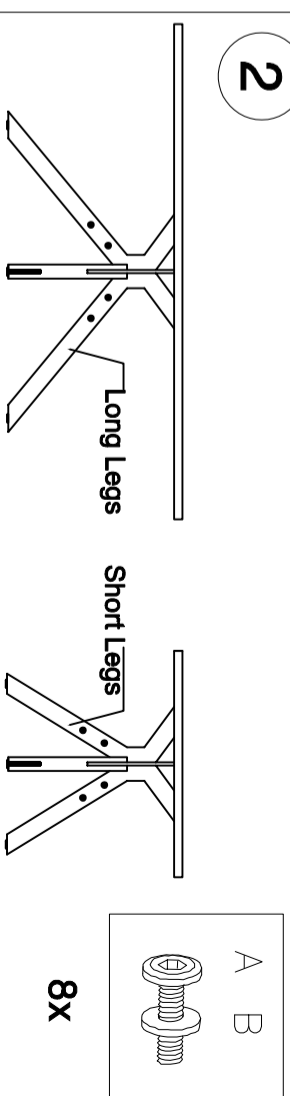
M8x25MM



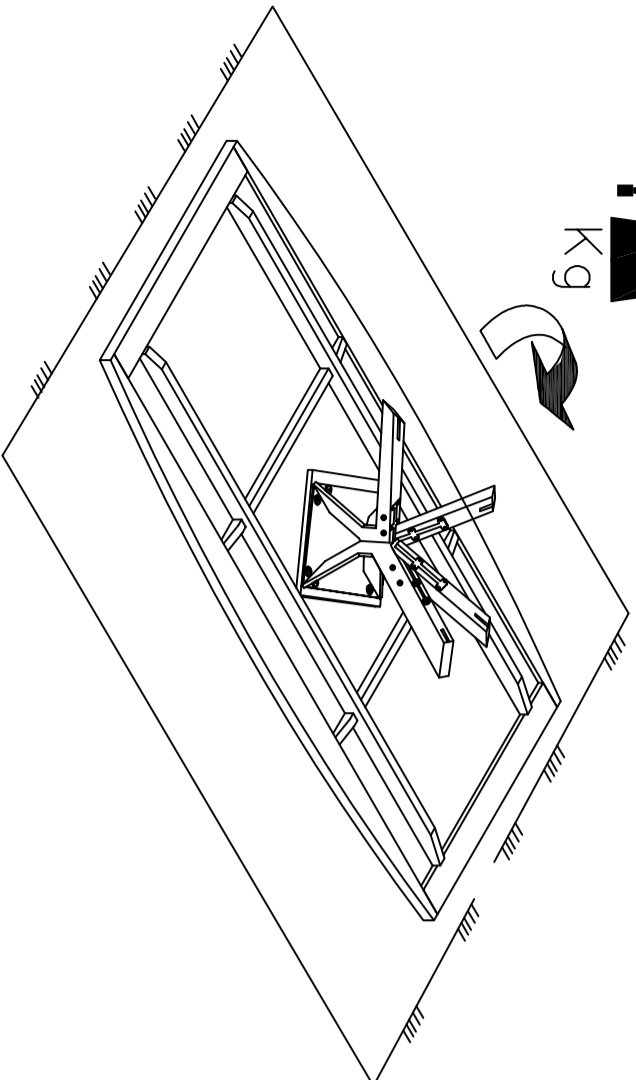
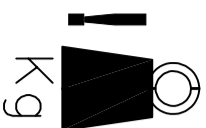
1



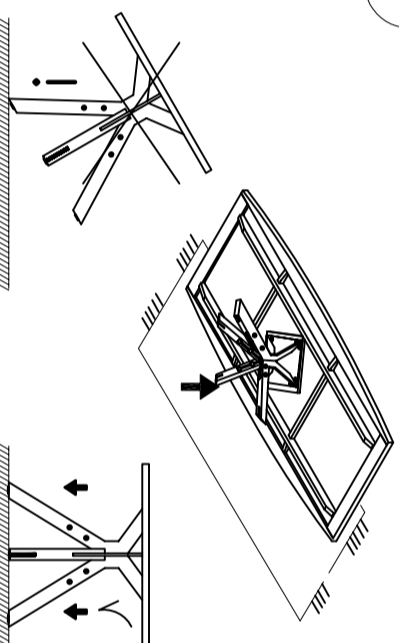
2



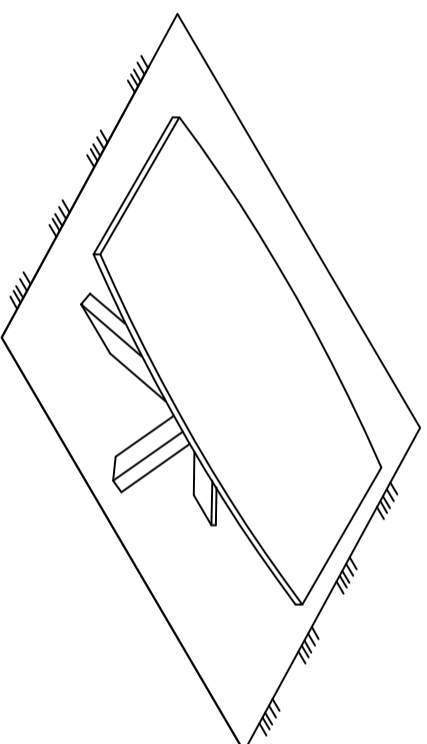
3



4



5



6

