

Series 4, Built-in oven with added steam function, 60 x 60 cm, Black HQA4720B3



Included accessories

1 x combination grid, 1 x universal pan, 1 x air fry & grill tray

Optional accessories

HEZ327000	Pizza stone
HEZ531000	Baking tray, enamelled
HEZ531010	Baking tray, non-stick ceramic coated
HEZ532000	Multipurpose pan, enamelled
HEZ532010	Universal pan, non-stick ceramic coated
HEZ538000	1fold telescopic rail, level independent
HEZ634000	Baking and roasting grid
HEZ638000	Full ext rails, level independent
HEZ660060	Strip
HEZ664000	Baking and roasting grid, steam
HEZ915003	Glass roasting dish, 5,4 L
HEZG0AS00	Connecting cable 3m

Healthy cooking: Air Fry Function for perfectly fried foods with hardly any oil, pyrolytic self-cleaning and Hotair Steam.

- **Air Fry Function:** for perfectly fried foods, such as vegetables and chips.
- **Added Steam Function:** by adding steam, baked food turn out crispy on the outside and fluffy on the inside.
- **Hotair Steam:** food turns out crispy on the outside and juicy on the inside.
- **Auto Pilot 10:** every dish is a perfect success thanks to 10 pre-set automatic programmes.
- **LED Touch Control:** simple access to heating modes, temperature and extra functions via touch buttons.

Technical Data

Gross weight:	39.1 kg
Built-in / Free-standing:	Built-in
Integrated Cleaning system:	Pyrolytic+Hydrolytic
Required niche size for installation (HxWxD):	585-595 x 560-568 x 550 mm
Dimensions:	595x594x548 mm
Dimensions of the packed product (HxWxD):	675x660x690 mm
Control Panel Material:	Glass
Door Material:	Glass
Net weight:	37.0 kg
Usable volume of cavity:	71 l
Heating modes::	Air fry, Full width grill, Hotair gentle, Hot Air, Conventional heat, Pizza setting, Hot air grilling
Length electrical supply cord:	120 cm
Pull-out system:	Level-independent clip rails - for safe insertion and removal of accessories on any level
Included accessories:	1 x combination grid, 1 x universal pan, 1 x air fry & grill tray
Broil Element Wattages cavity 1:	2800 W
Convection Element Wattages cavity 1:	2200 W
Energy efficiency class ¹ :	A+
Energy consumption per cycle conventional (2010/30/EC):	0.94 kWh/cycle
Energy consumption per cycle forced air convection (2010/30/EC):	0.69 kWh/cycle
Energy efficiency index (2010/30/EC):	81.2 %
Connection rating:	3600 W
Fuse protection:	16 A
Voltage:	220-240 V
Frequency:	50; 60 Hz
Plug type:	Gardy plug w/ earthing
Energy input:	Electric
Required cutout/niche size for installation (in):	x
Dimensions of the packed product:	26.57 x 25.98 x 27.16
Net weight:	82.000 lbs
Gross weight:	86.000 lbs



¹ At a Scale of Energy Efficiency Classes from A+++ to D

Series 4, Built-in oven with added steam function, 60 x 60 cm, Black HQA4720B3

Healthy cooking: Air Fry Function for perfectly fried foods with hardly any oil, pyrolytic self-cleaning and Hotair Steam.

Type of oven / heating system:

- Oven with 8 heating methods: 3D Hotair, Conventional heat, Hot air grilling, Full width grill, Pizza setting, Hotair gentle, Air fry, Hotair steam
- Additional heating methods with steam: Hotair steam
- Temperature range 30 °C - 275 °C
- Cavity volume: 71 l
- Cavity: smooth

Hook-in racks / rails

- Number of shelf levels: 5 PC
- 1-fold telescopic rail, level independent, with Stop function

Design:

- Touch control
- Cavity inner surface: enamel anthracite
- Extra large capacity oven

Cleaning:

- Pyrolytic self-cleaning function
- Cleaning Assistance (program)
- Full glass inner door

Comfort:

- LED-touch control (red/white)
- Electronic clock
- Temperature proposal
- Heating-up control
- AutoPilot 10
- Bar handle
- Supporting systems: Programs
- Automatic rapid heating up
- Halogen interior lighting, Switch for oven illumination
- Water bowl with a volume of 0.2 l
- Integral cooling fan

Accessory:

- 1 x combination grid, 1 x universal pan, 1 x air fry & grill tray

Environment and Safety:

- Low door temperature
- Low door temperature during pyrolytic cleaning
- Quadruple glass door panel glazed CoolTouch door
- Automatic door lock during pyrolysis
- Child lock
- Start-/Stop button

Technical Information

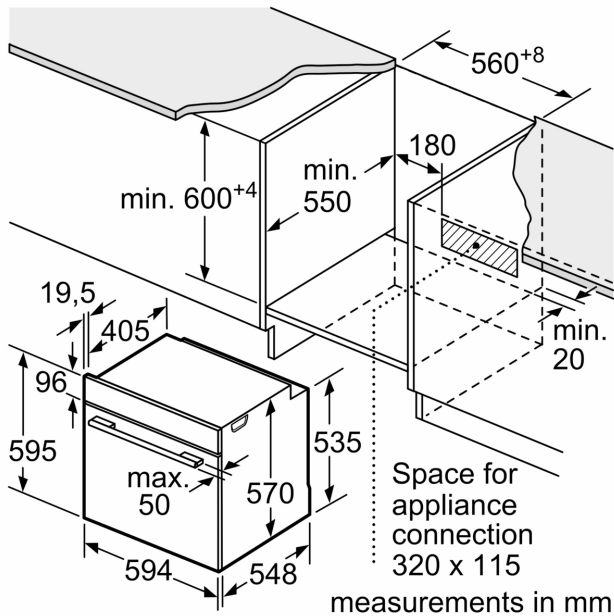
- Length of mains cable: 120 cm
- Nominal voltage: 220 - 240 V
- Total connected load electric: 3.6 KW

- Energy efficiency rating (acc. EU Nr. 65/2014): A+(at a range of energy efficiency classes from A+++ to D)
- Energy consumption per cycle in conventional mode: 0.94 kWh
- Energy consumption per cycle in fan-forced convection mode: 0.69 kWh
- Number of cavities: 1
- Heat source: electrical
- Cavity volume: 71 l

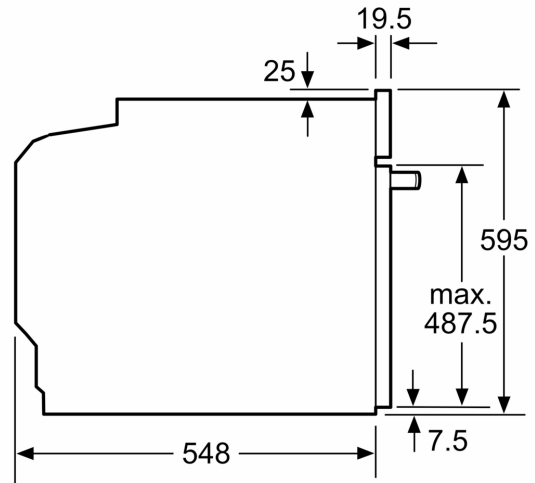
Dimensions:

- Appliance dimension (HxWxD): 595 mm x 594 mm x 548 mm
- Niche dimension (HxWxD): 585 mm - 595 mm x 560 mm - 568 mm x 550 mm
- "Please reference the built-in dimensions provided in the installation drawing"
- We recommend you to choose complementary products within Series 4, in order to assure an optimal design combination of your Built-In appliances.

**Series 4, Built-in oven with added steam function, 60 x 60 cm, Black
HQA4720B3**

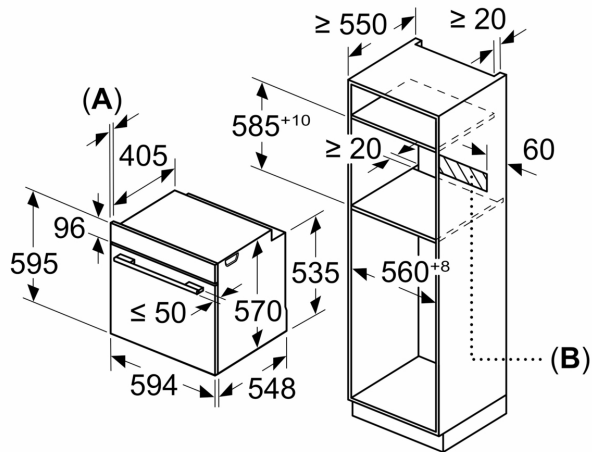


measurements in mm



measurements in mm

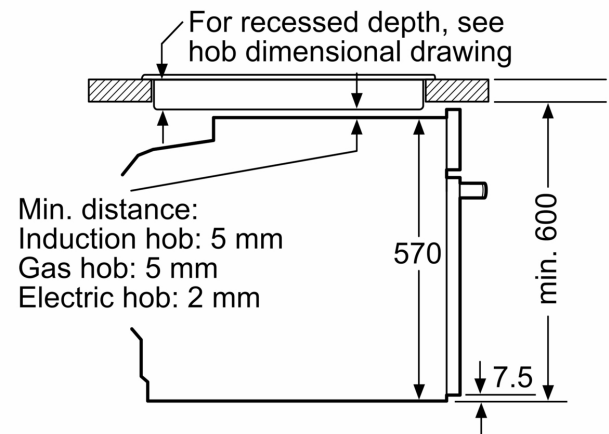
Measurements in mm



A: 19.5 mm

B: Space for appliance connection 320 x 115 mm

Installation with a hob.



measurements in mm