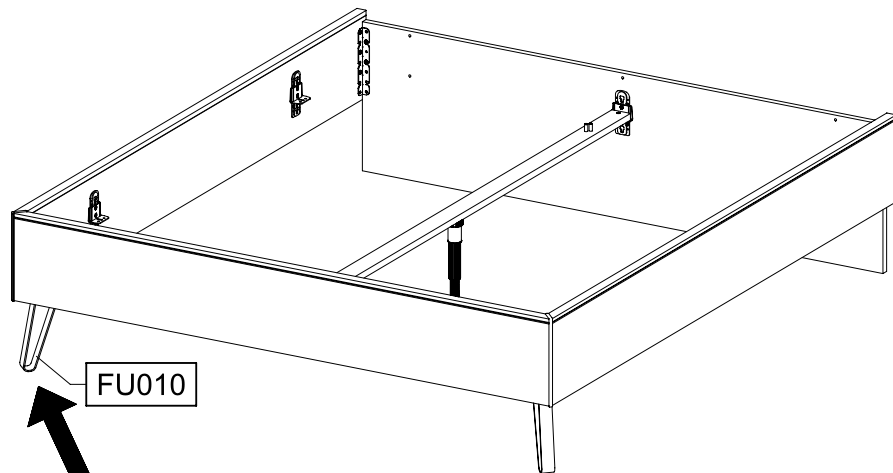
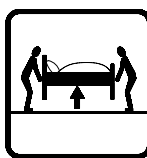
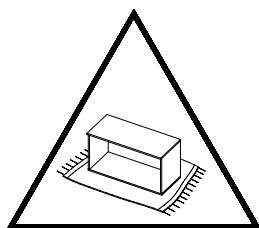
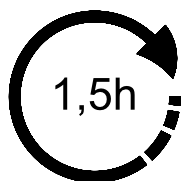
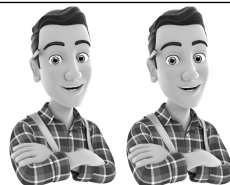
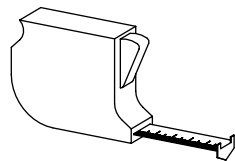
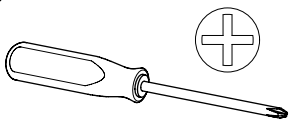
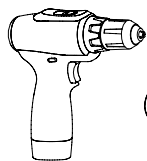
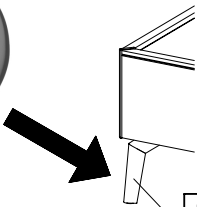


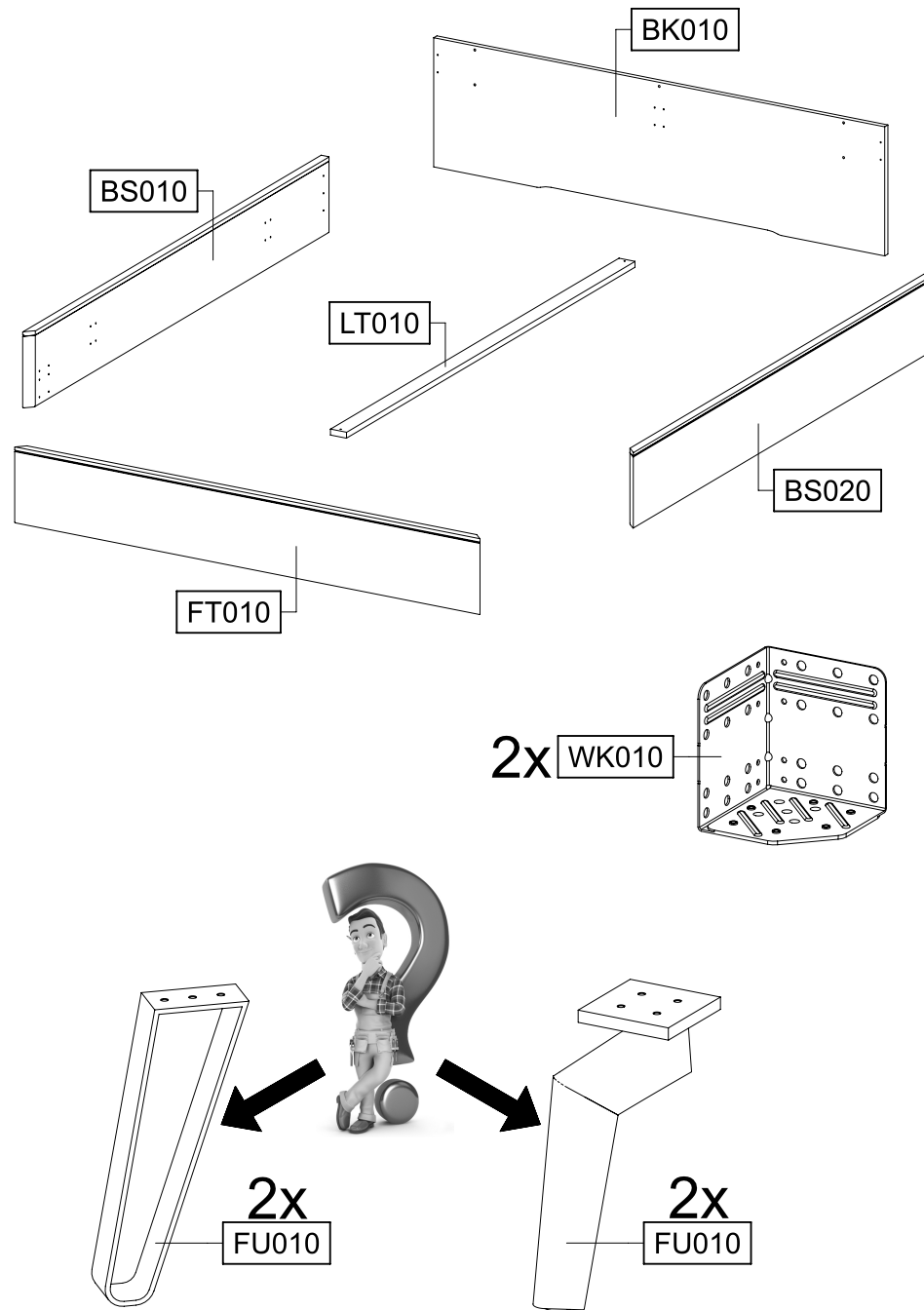
MD165_02



FU010



FU010



BS010

BK010

LT010

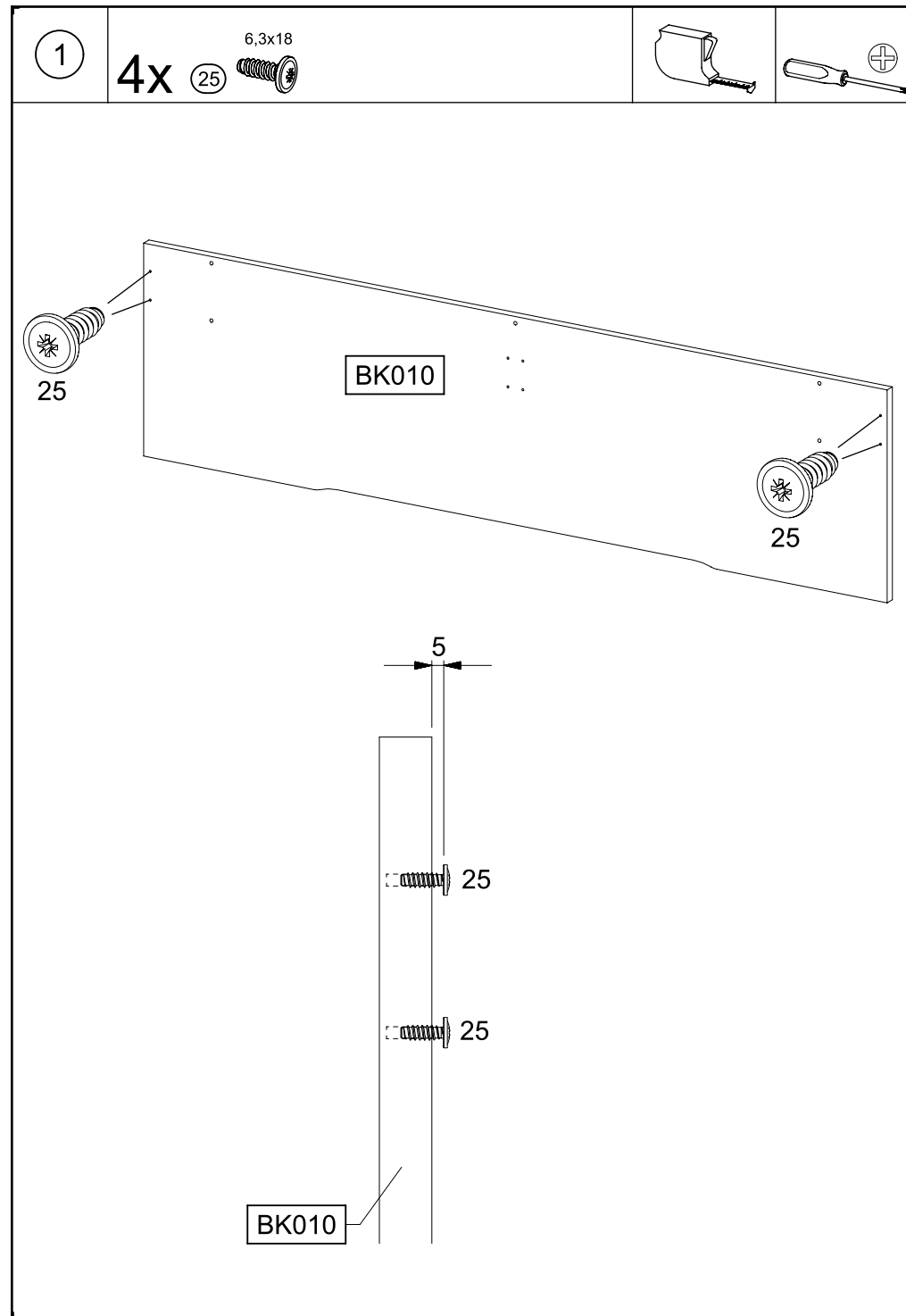
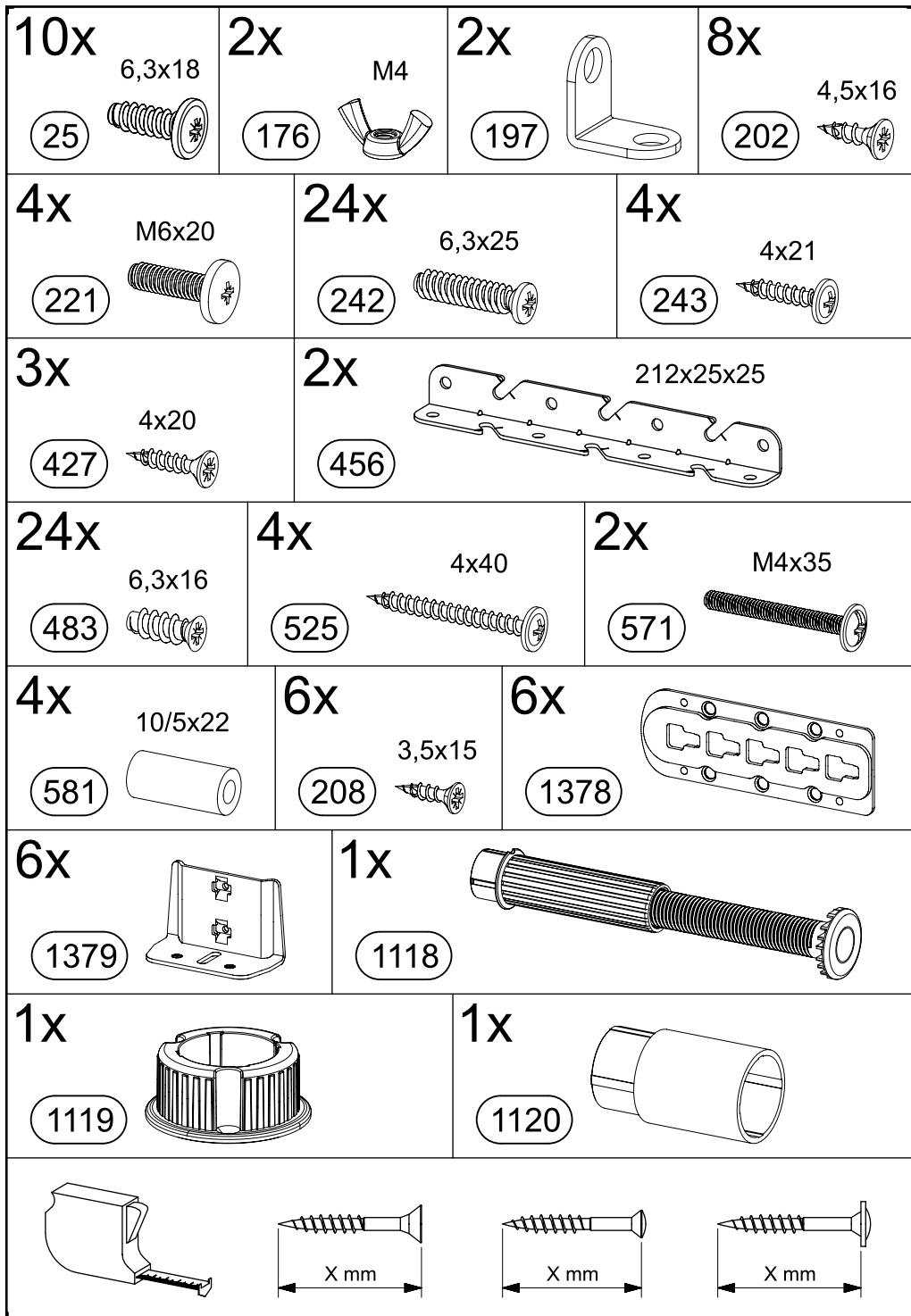
BS020

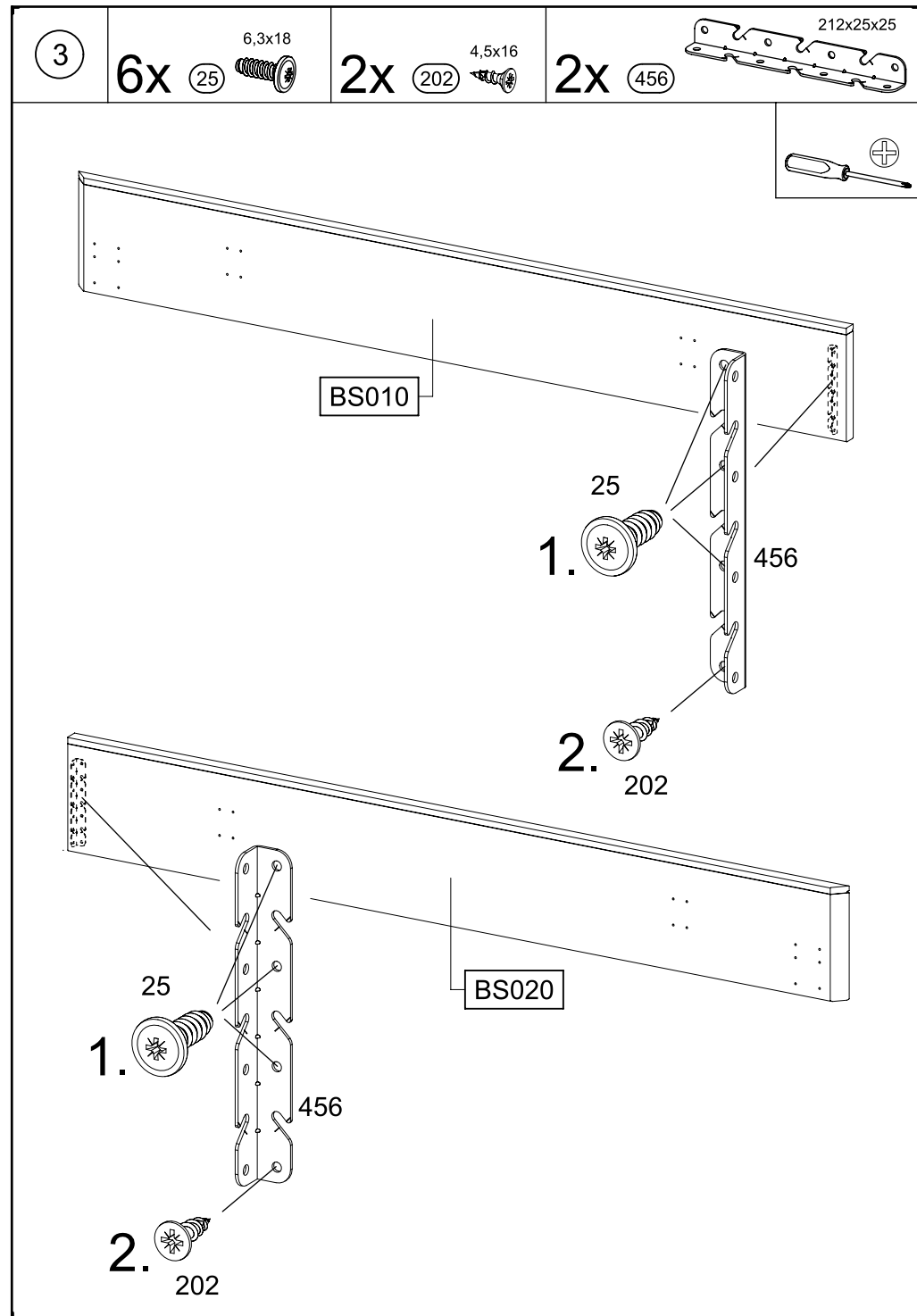
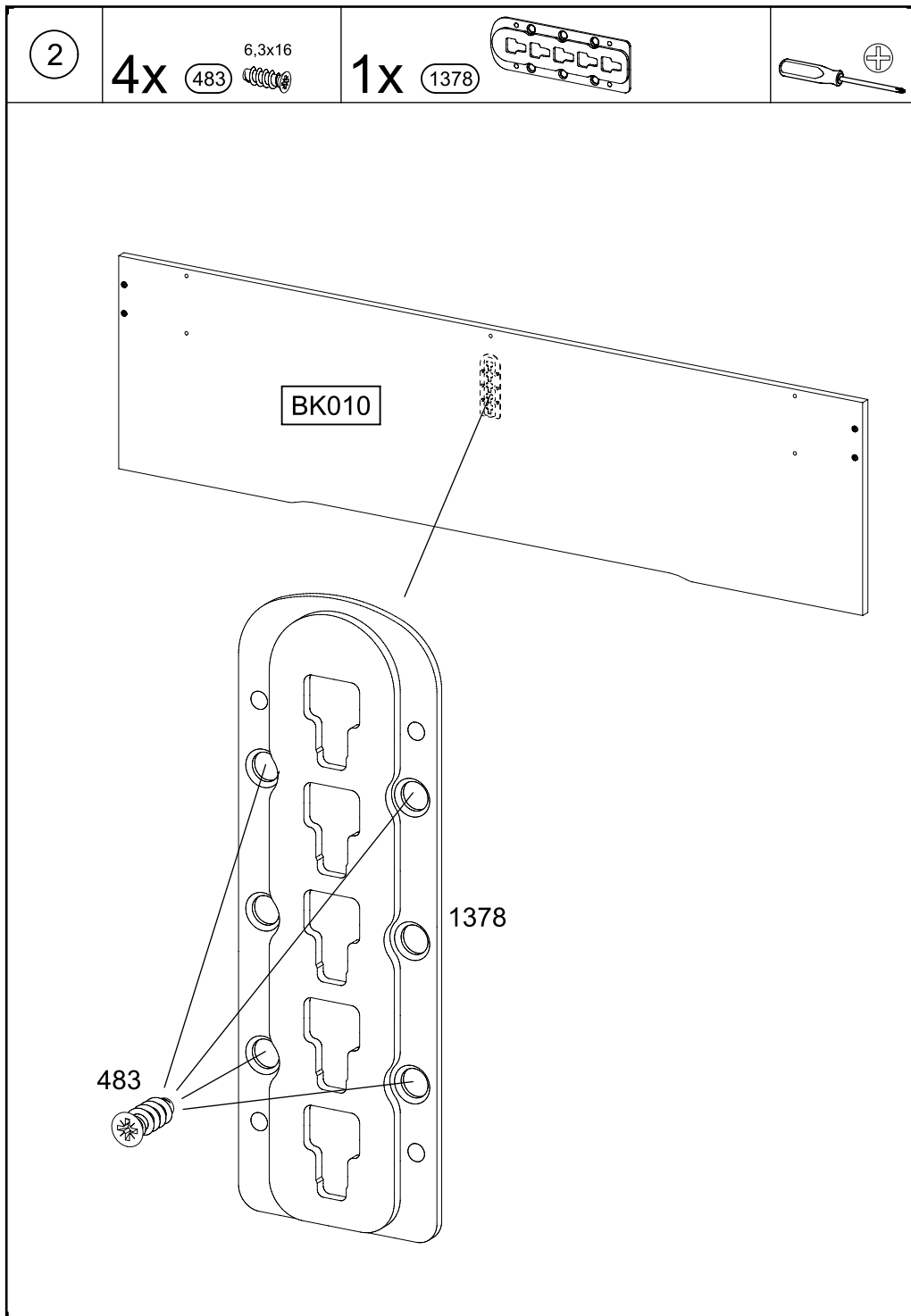
FT010

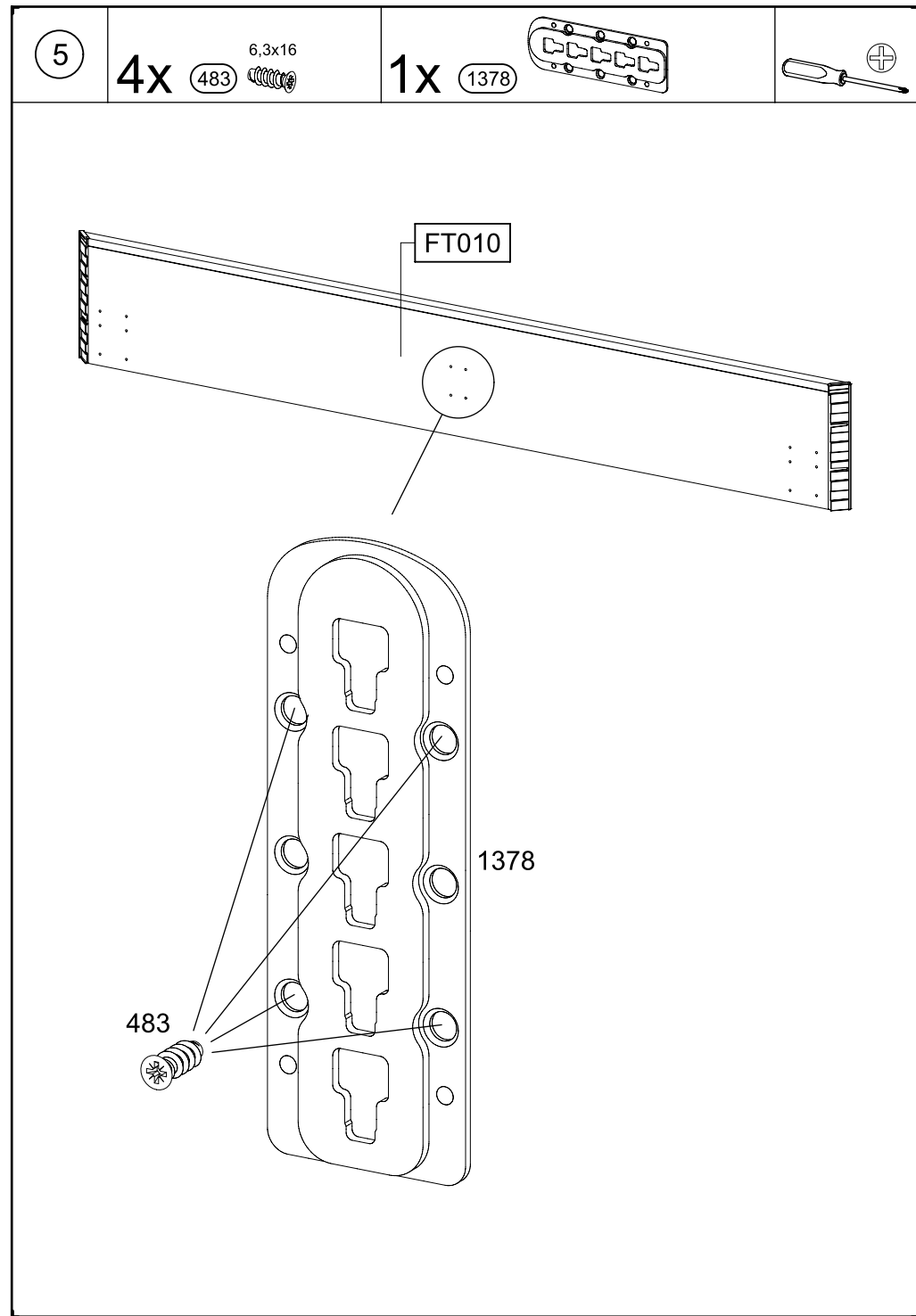
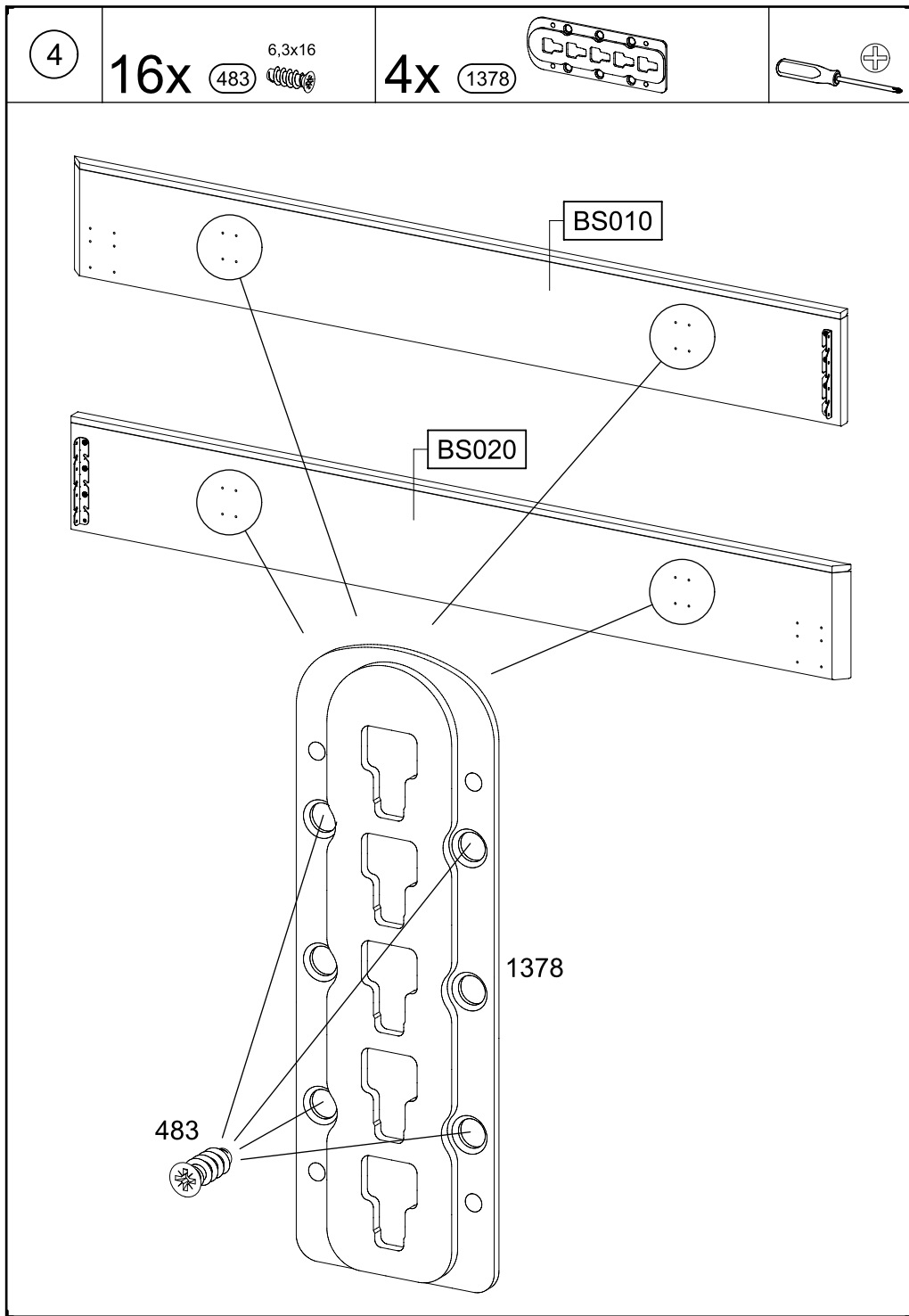
2x WK010

2x FU010

2x FU010

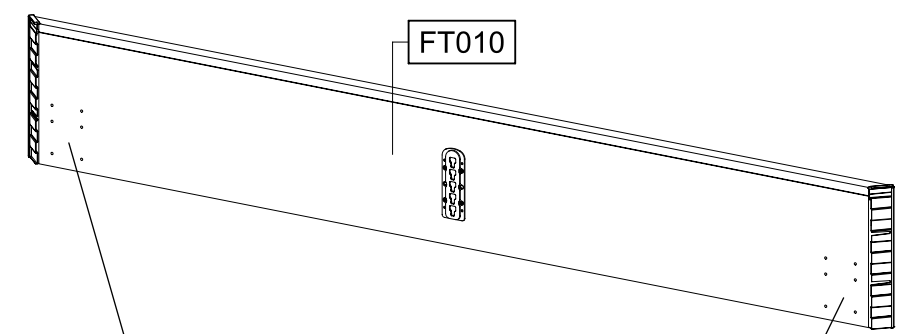
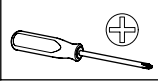




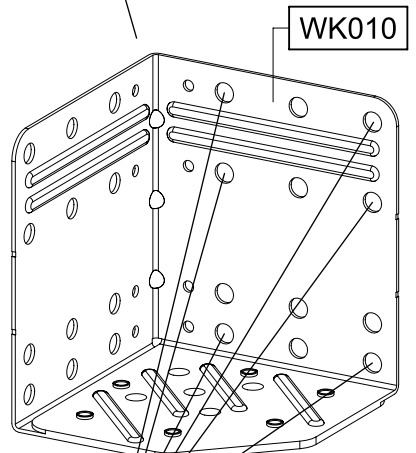


6

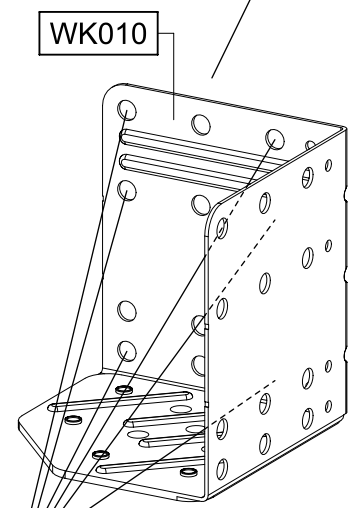
12x 242 6,3x25



FT010



WK010



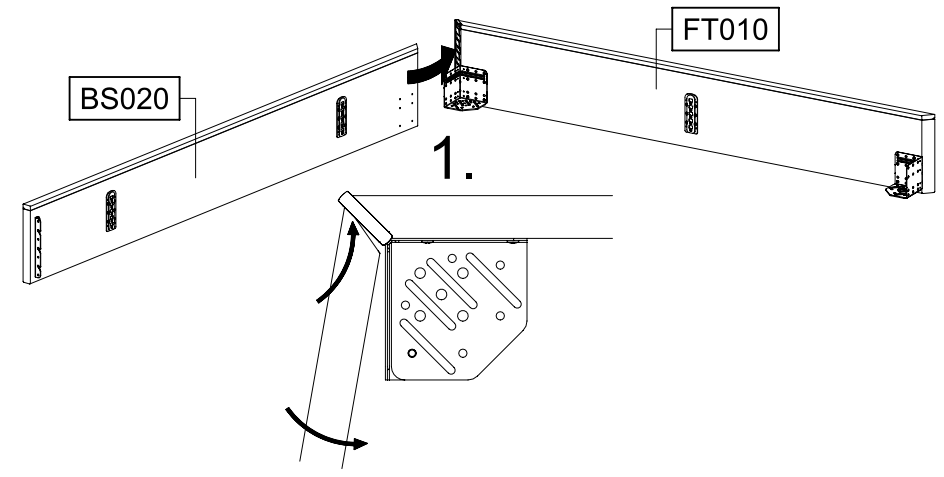
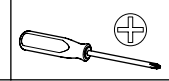
WK010

242

242

7

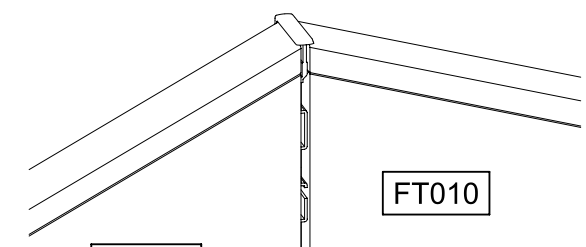
6x 242 6,3x25



BS020

FT010

1.

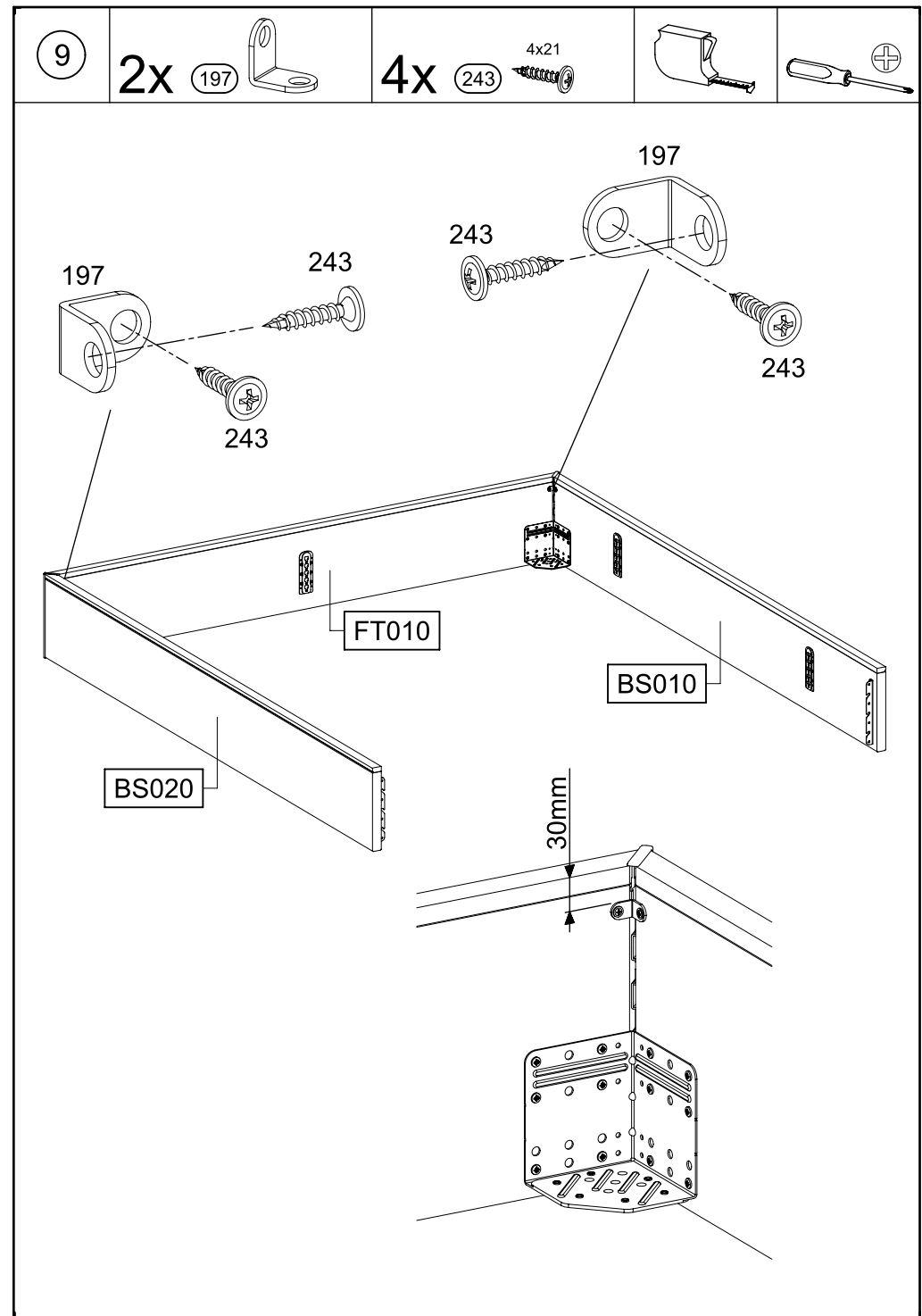
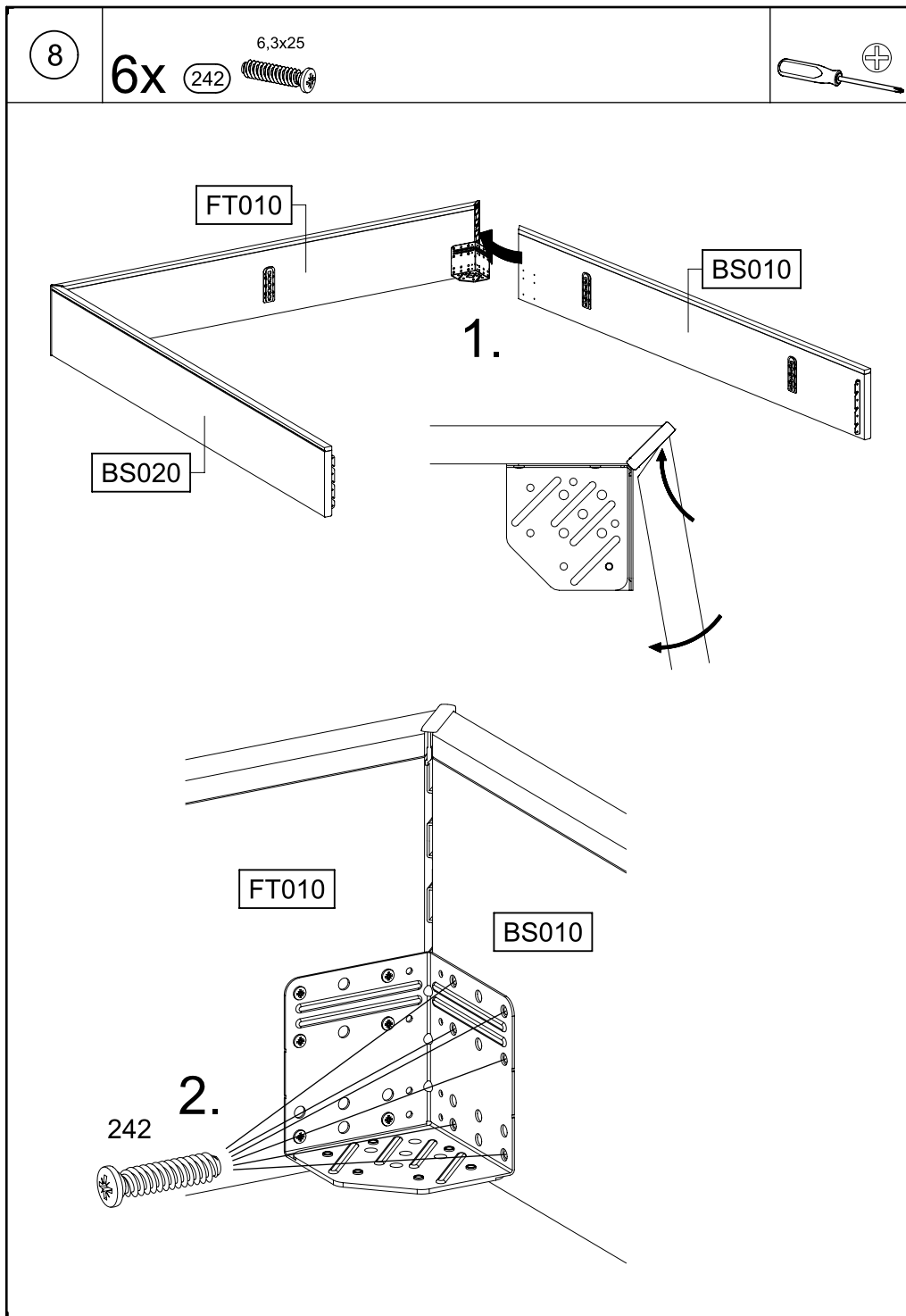


FT010

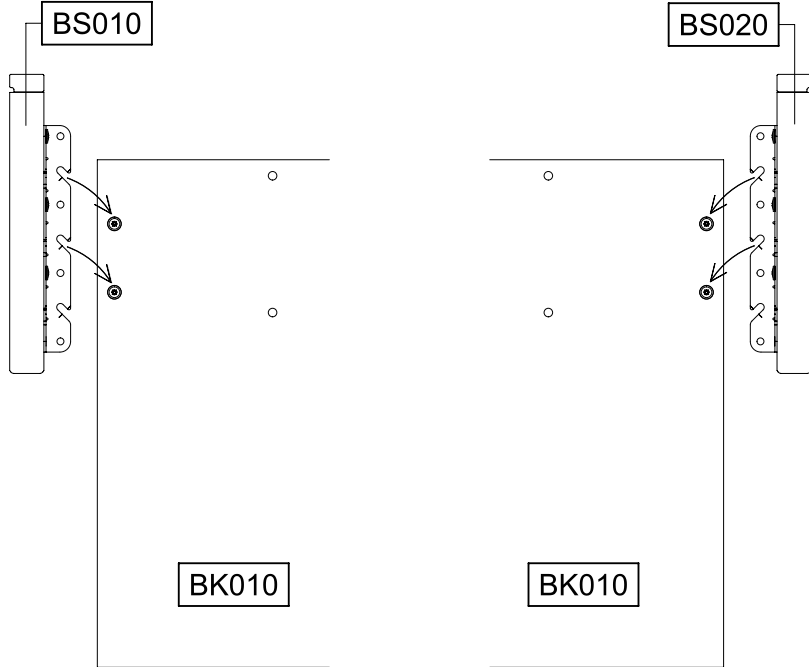
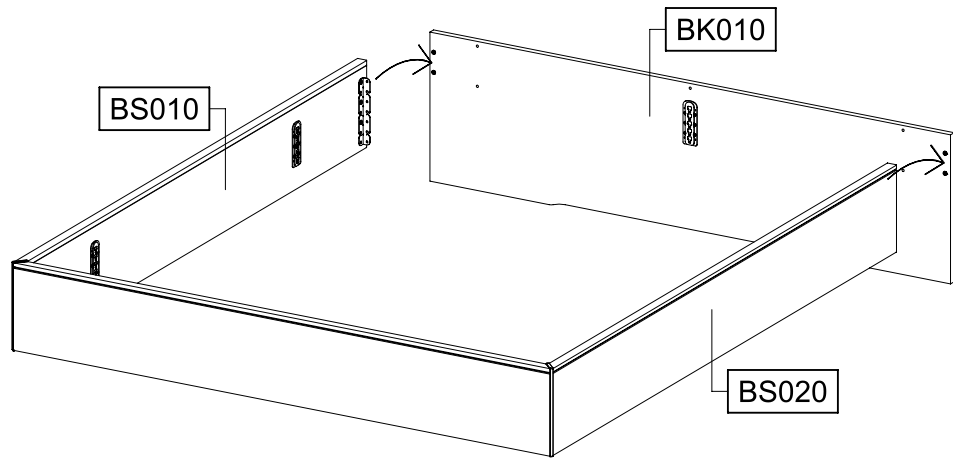
BS020

2.

242

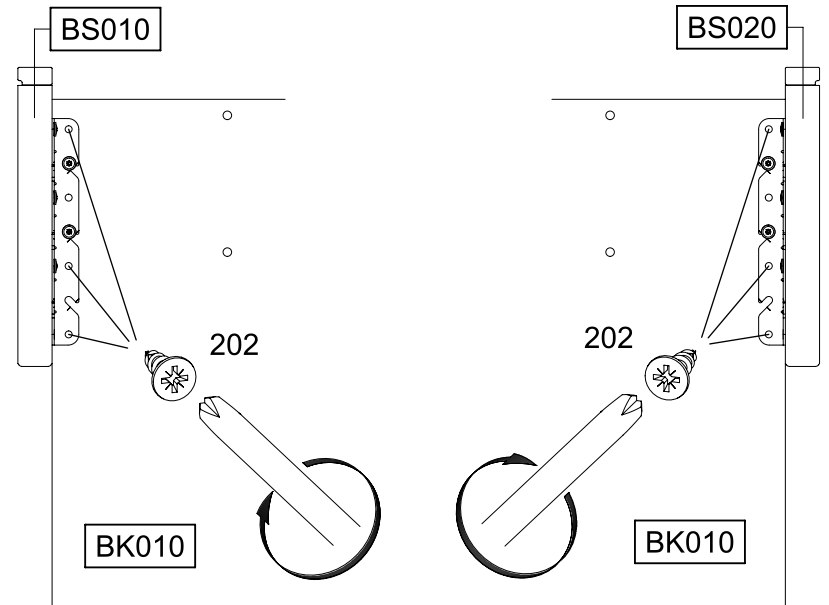
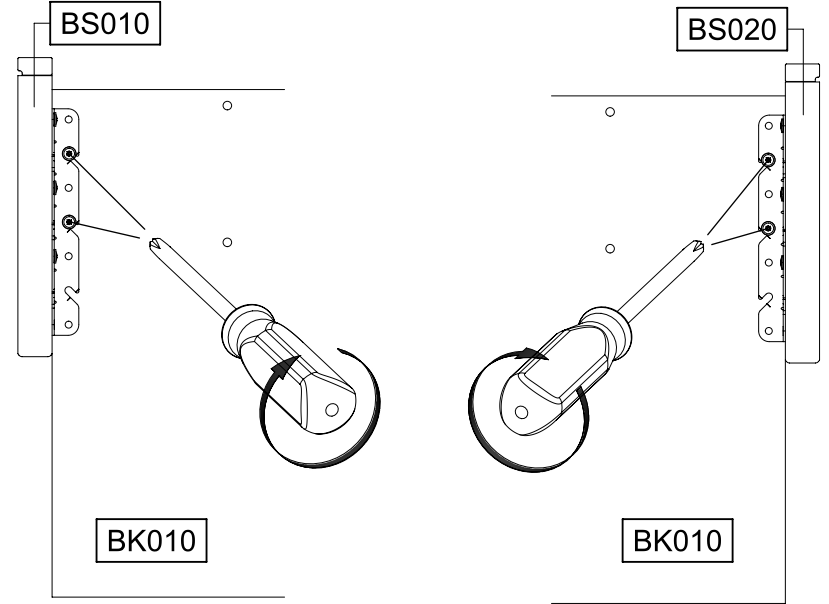
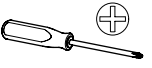


10



11

6x 202 4,5x16

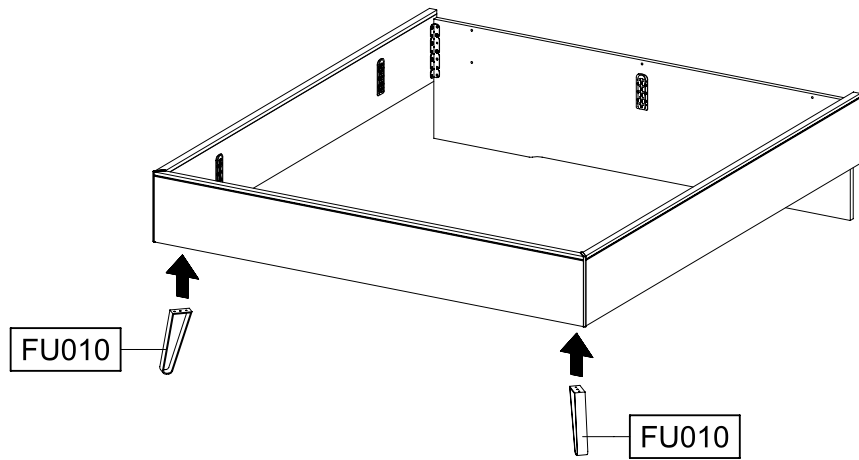
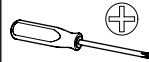


12

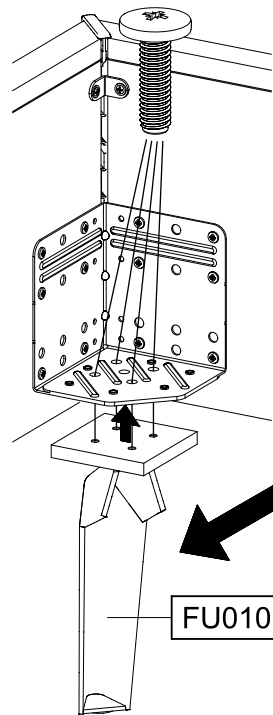
4-8x

221

M6x20

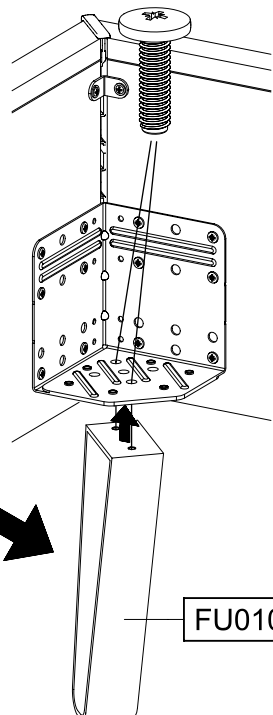


221



FU010

221



FU010



13

4x

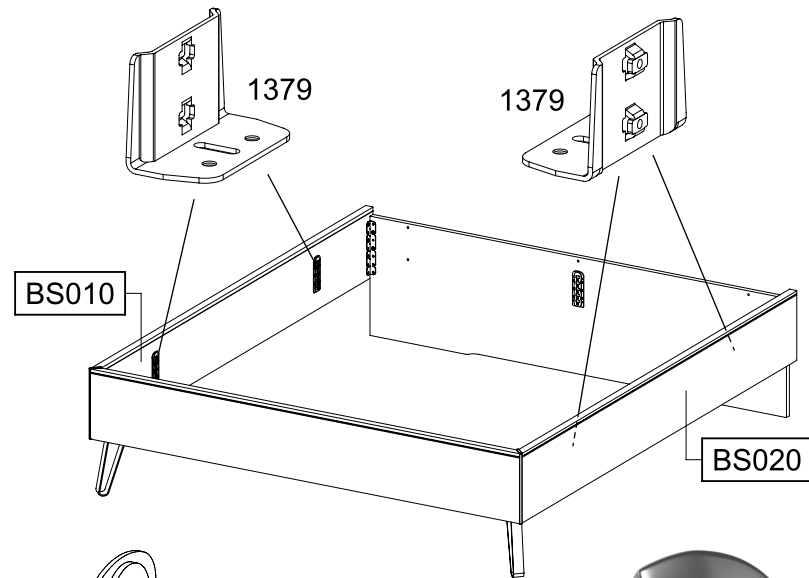
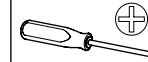
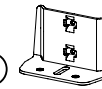
208

3,5x15



4x

1379

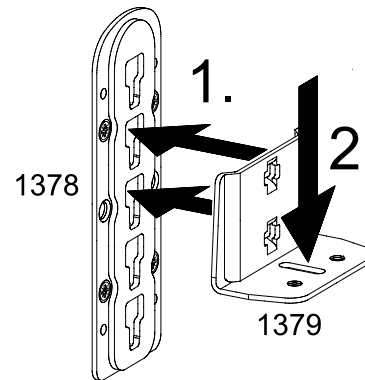


BS010

1379

1379

BS020

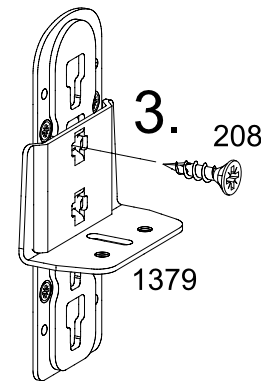


1.

2.

1378

1379



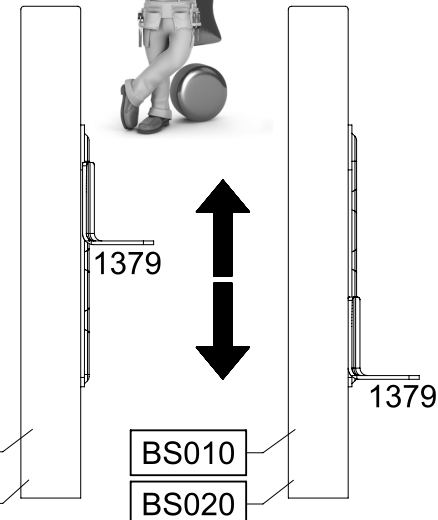
3.

208

1379

BS010

BS020

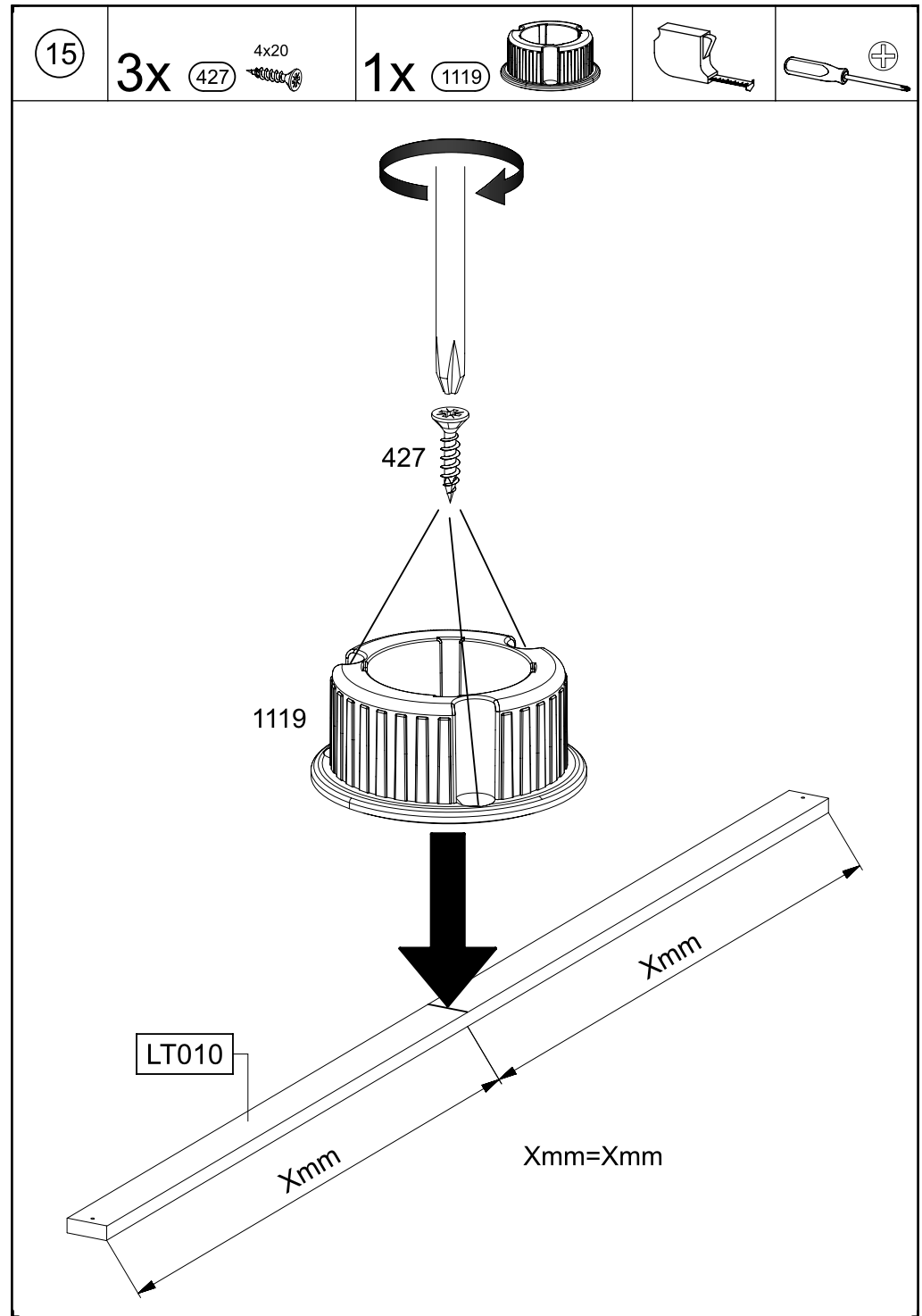
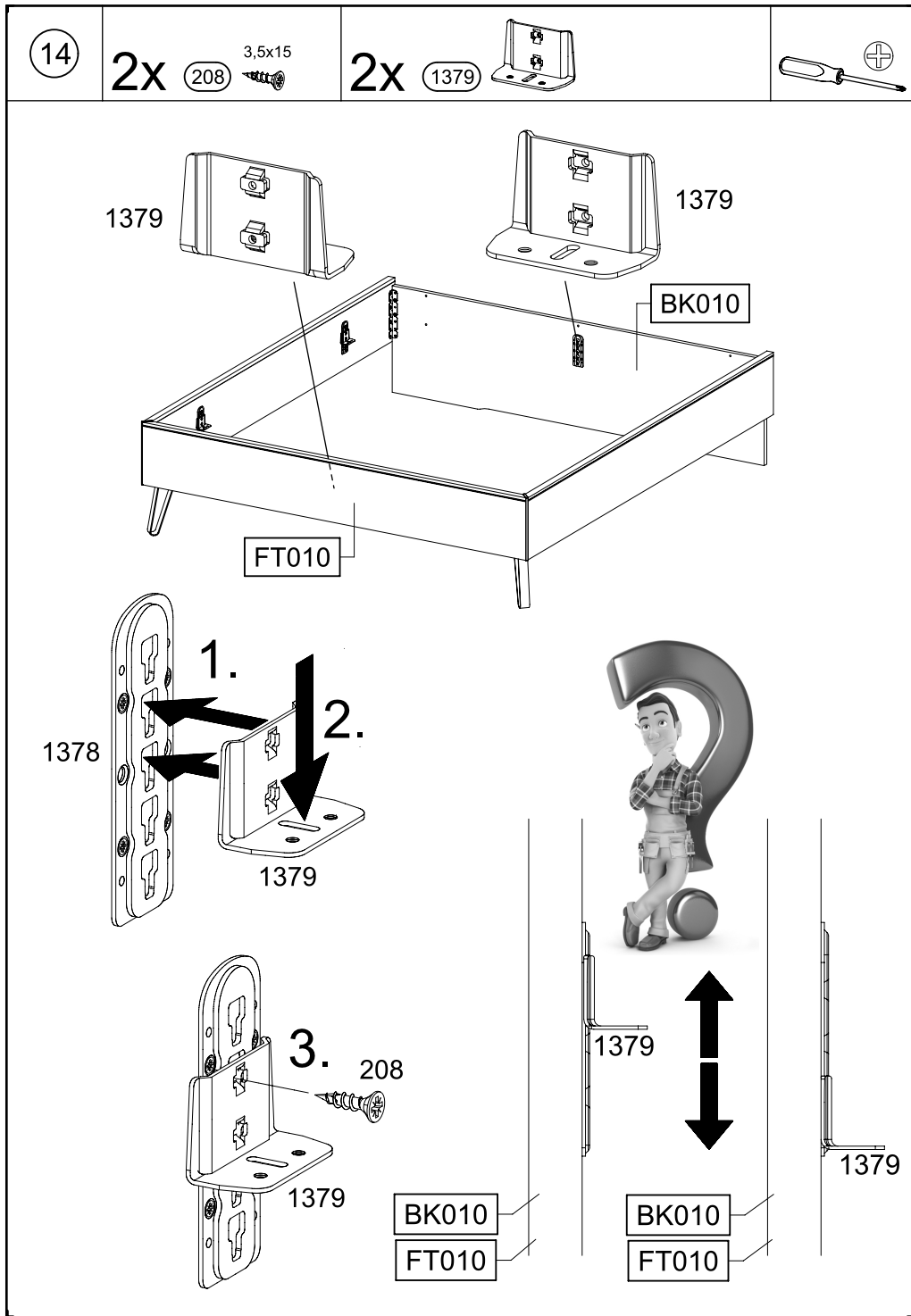


1379

1379

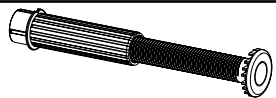
BS010

BS020

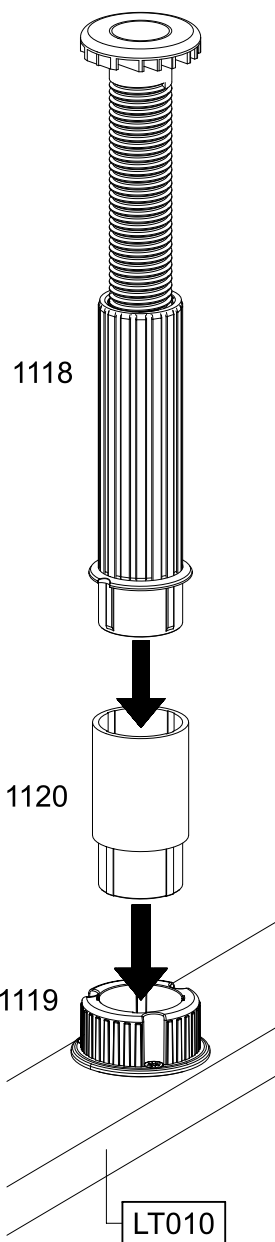
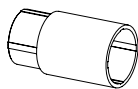


16

1x 1118



1x 1120



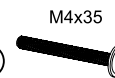
17

2x 176



M4

2x 571



M4x35

