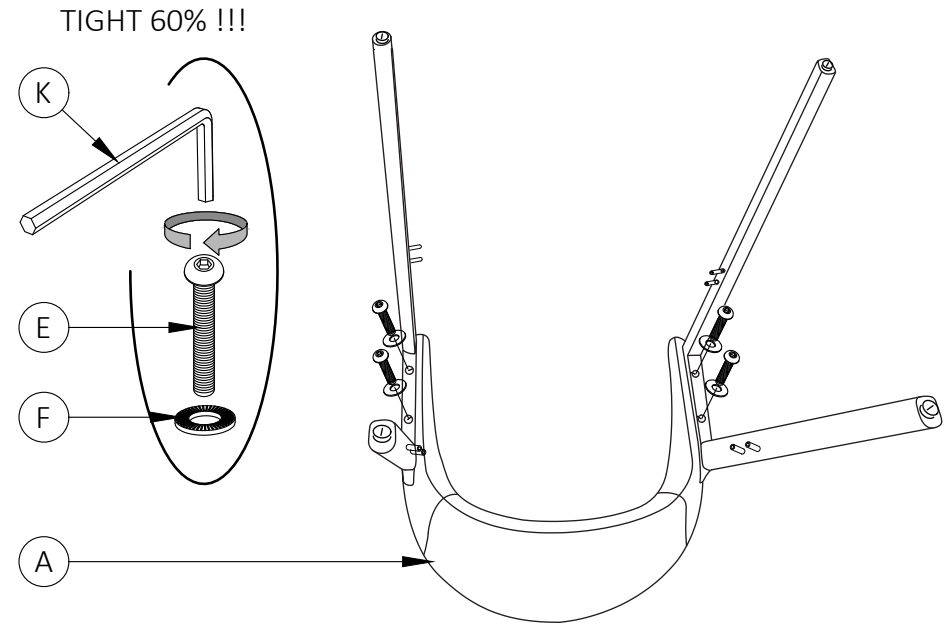
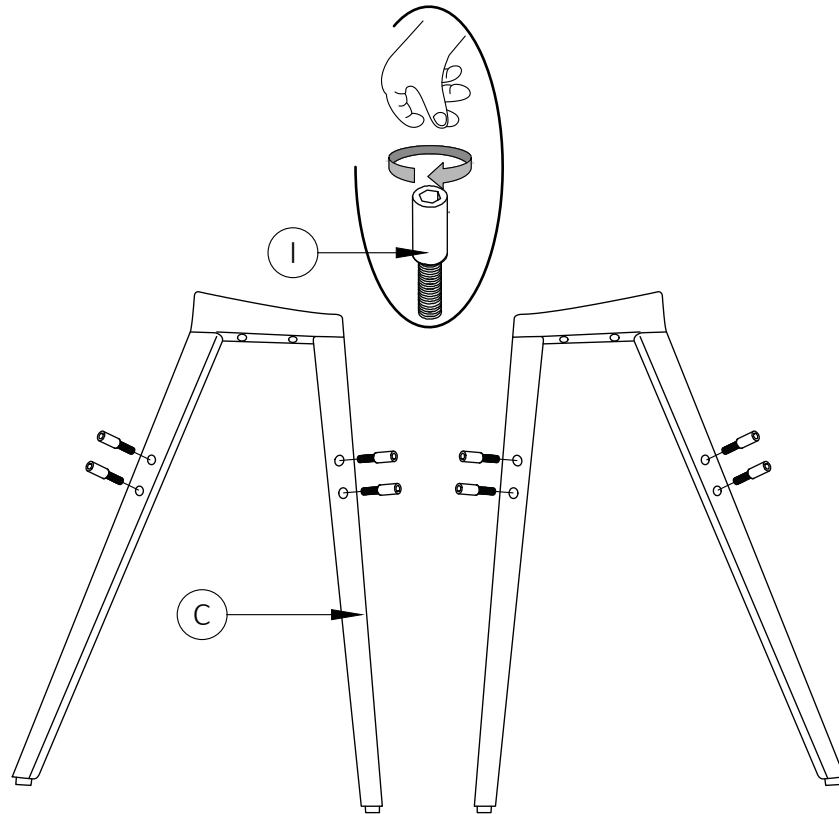
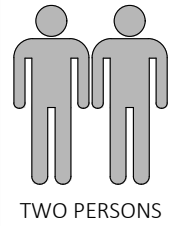


1 ASSEMBLE PARTS (I) ON WOOD FRAME (C)

2 ASSEMBLE LEGS WITH BOLTS (E) ONTO ARM (A) USING L-KEY (K)



TIGHT 60% !!!

ID	A	B	C	D	E	F	G	H	I	J	K
FITTINGS											
	ARM	SEAT	WOOD LEGS	BOLT	BOLT	WASHER SMALL	WASHER BIG	C-WASHER			L-KEY
QTY	1	1	2	8	4	4	8	8	8	4	1



FR

Pensez à donner ou recycler.



Ou



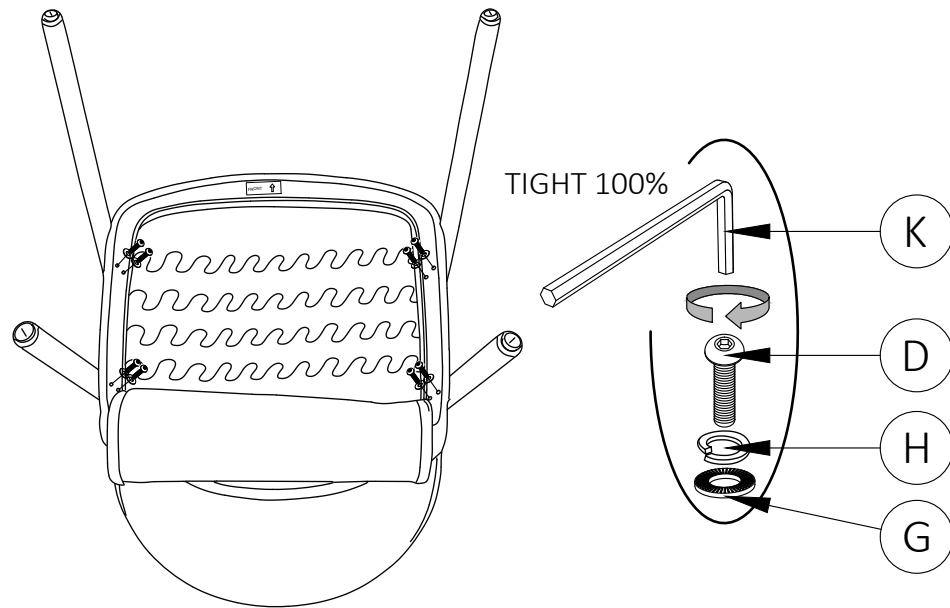
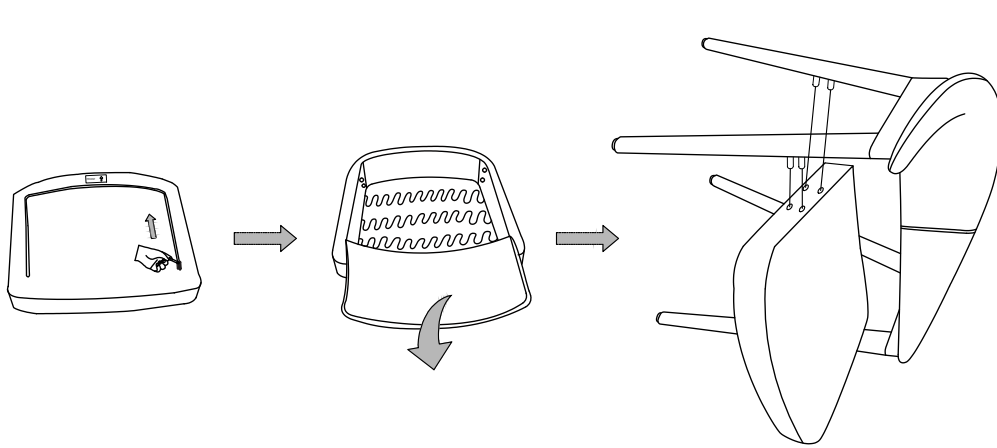
Ou



Déchèterie

<https://quefairedemesdechets.fr>

- 3 UNZIP THE BOTTOM OF SEAT.  
PUT WOOD FRAME SIDE ON THE GROUND AND PLACE SEAT BETWEEN LEGS, THEN INSERT SCREWS (I) INTO THE HOLES ON THE SEAT.



- 4 ZIP UP THE SEAT AND TIGHTEN 100% THE BOLTS (E) UNDER THE ARM. THEN COVER THE CAPS ON THE HOLES

