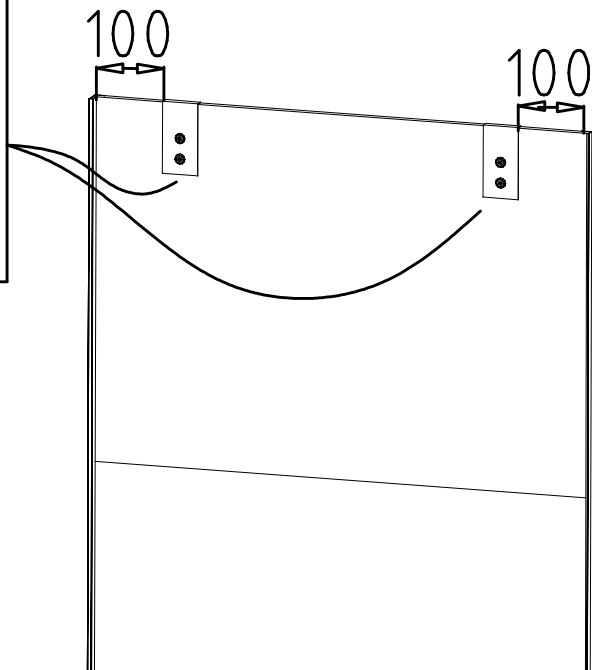
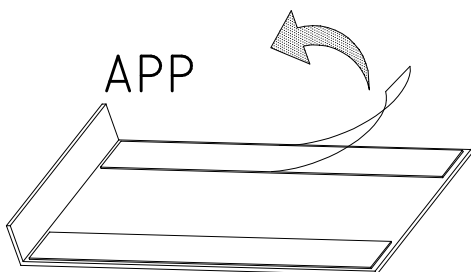
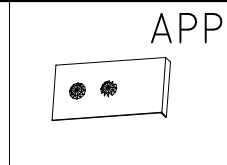
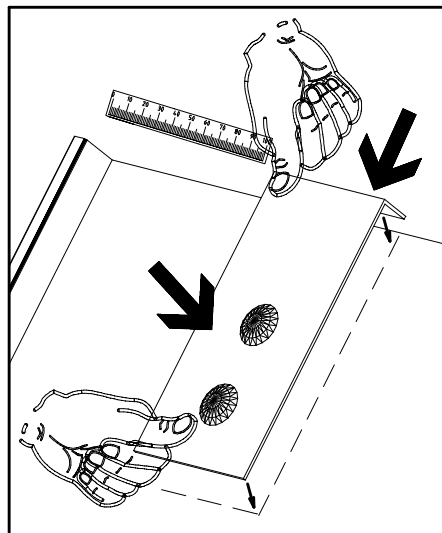
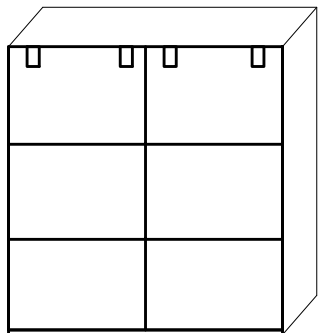
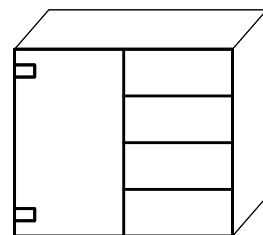
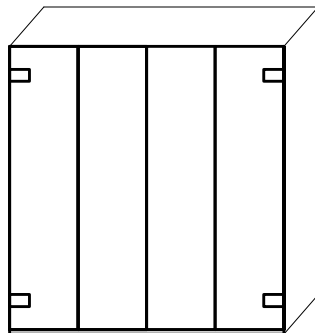
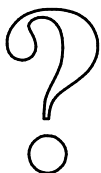
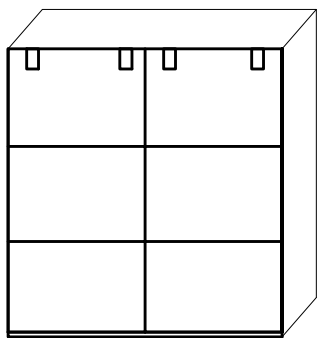
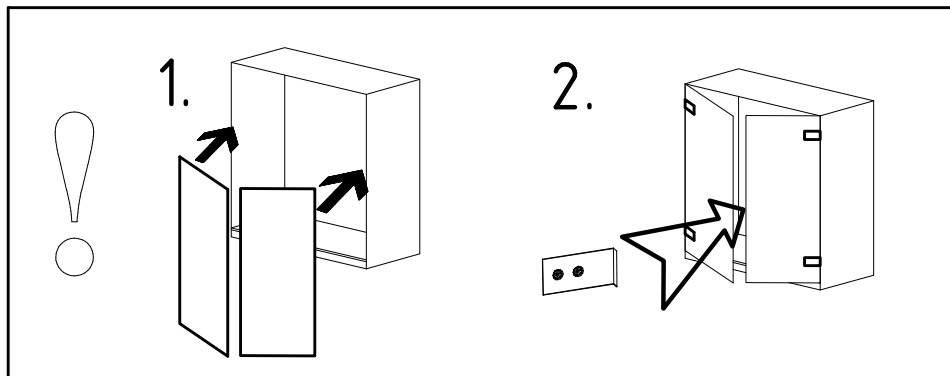
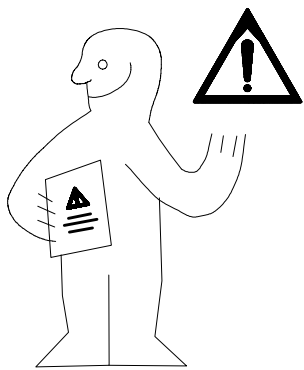
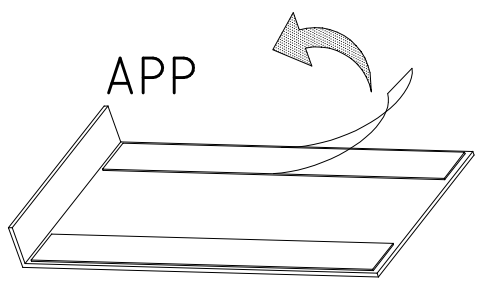
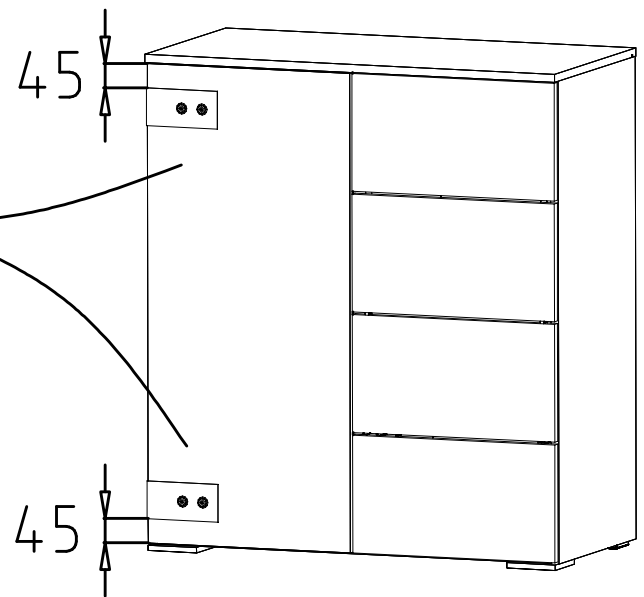
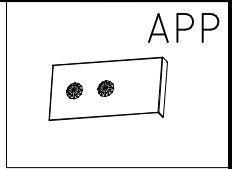
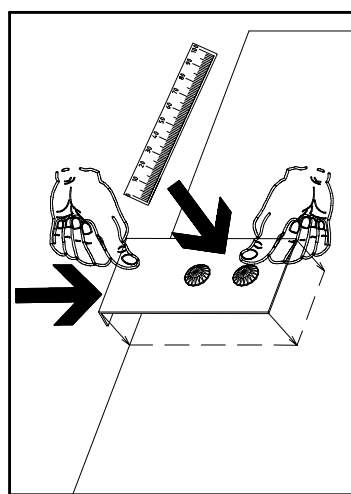
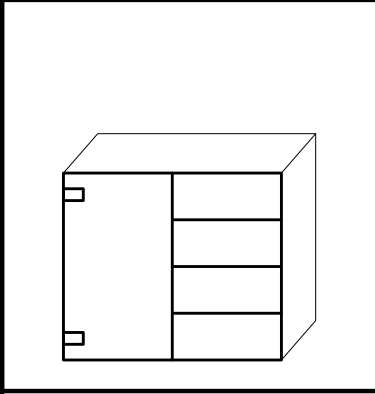
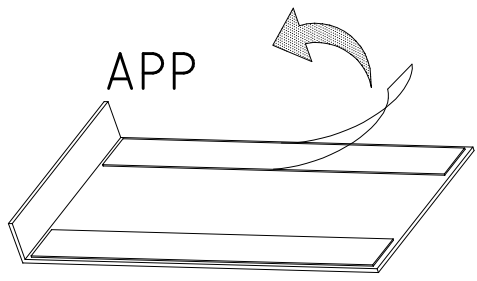
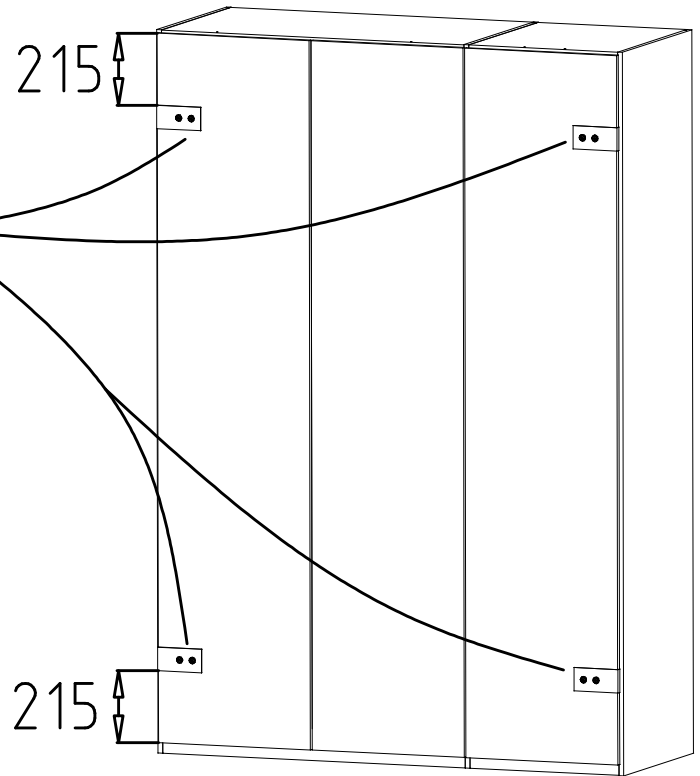
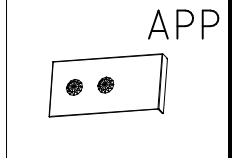
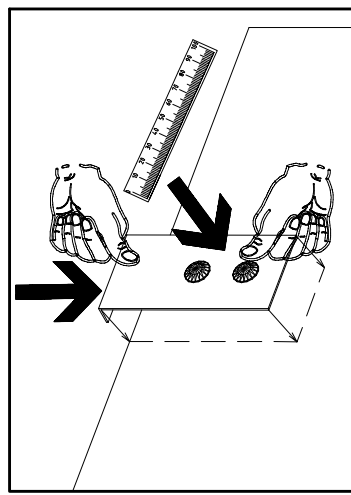
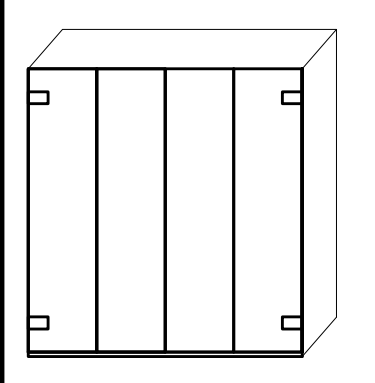
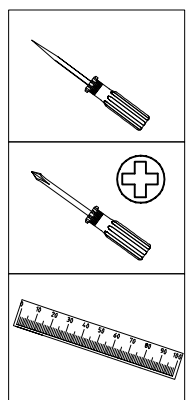
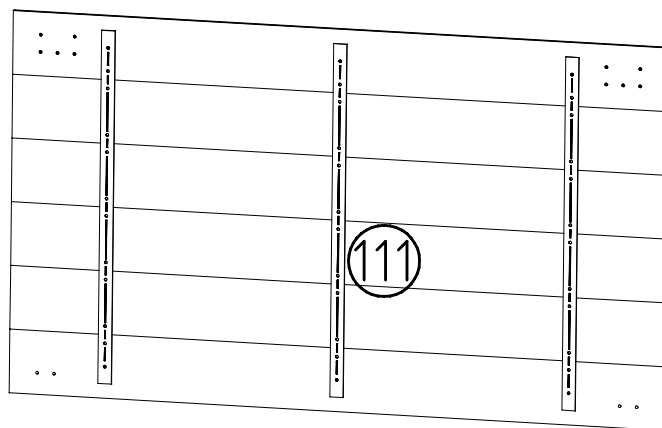
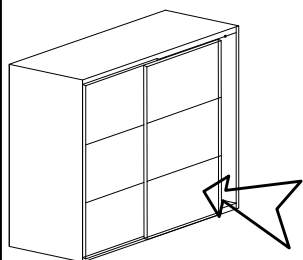
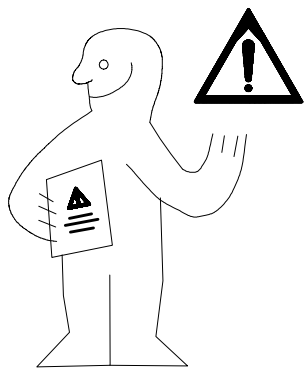


980504





980801



1x 990/1235/1485 x 118/128 x 15 (111o)

1x 990/1235/1485 x 118/128 x 15

4x 990/1235/1485 x 118/128 x 15 (111m)

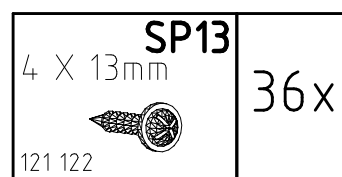
4x 990/1235/1485 x 118/128 x 15

1x 990/1235/1485 x 118/128 x 15 (111u)

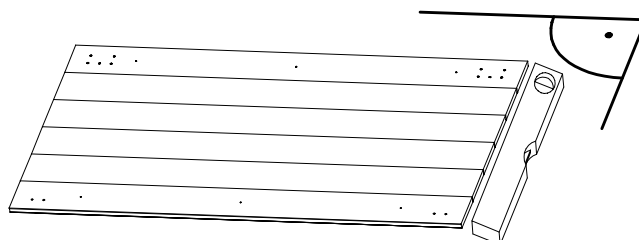
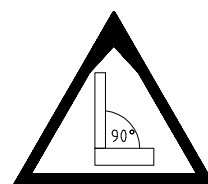
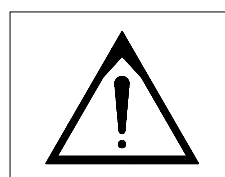
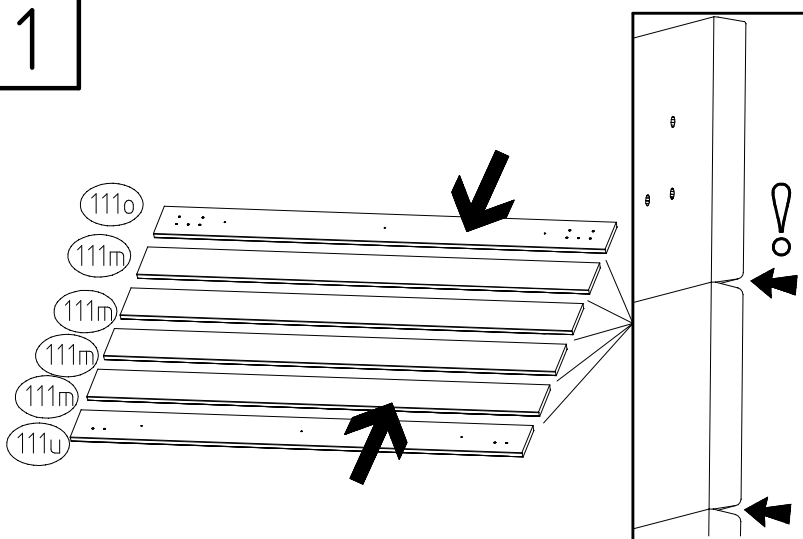
1x 990/1235/1485 x 118/128 x 15

3x 654 x 25 x 2 (112)

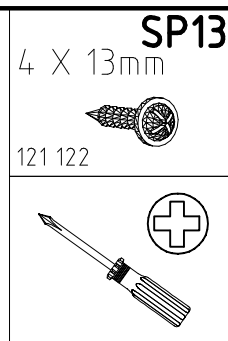
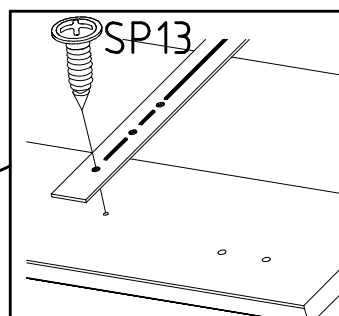
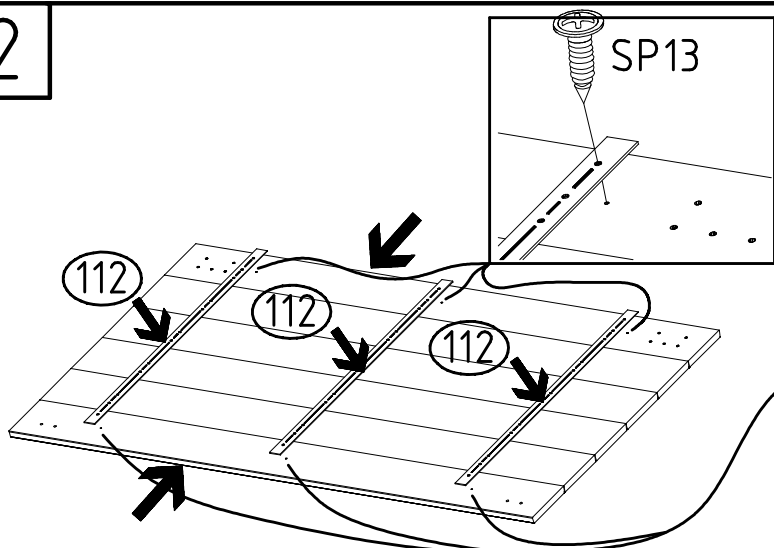
3x 654 x 25 x 2



1



2



3

SP13

4 X 13mm

121 122

