

**H&H FARMLAND**

**TOOL**

**INCLUDED**

**ASSEMBLY INSTRUCTION**

**1**

Screw  
Qty: 16Pcs



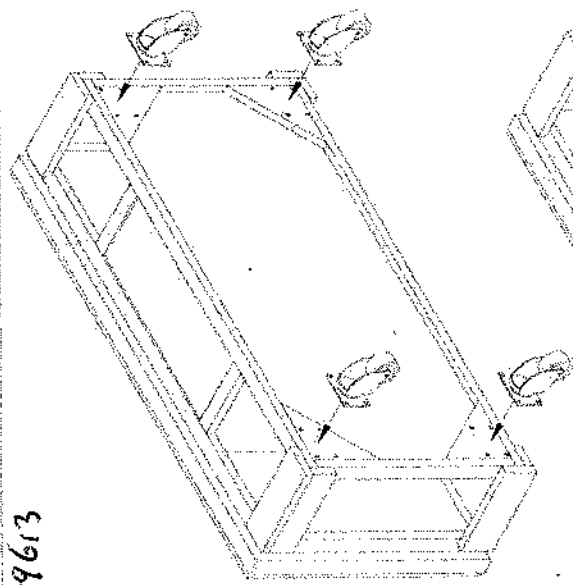
**COFFEE TABLE**

**2**

Washer  
Qty: 16Pcs



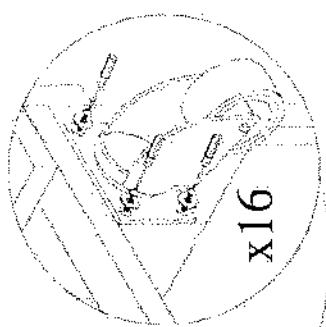
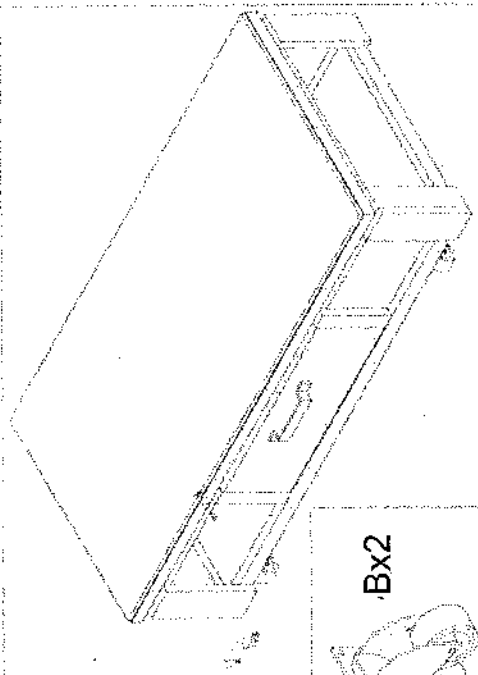
**39613**



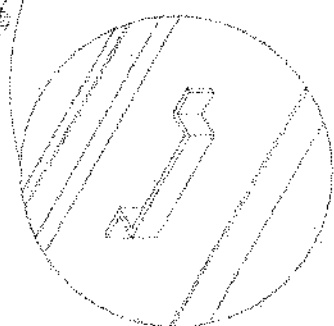
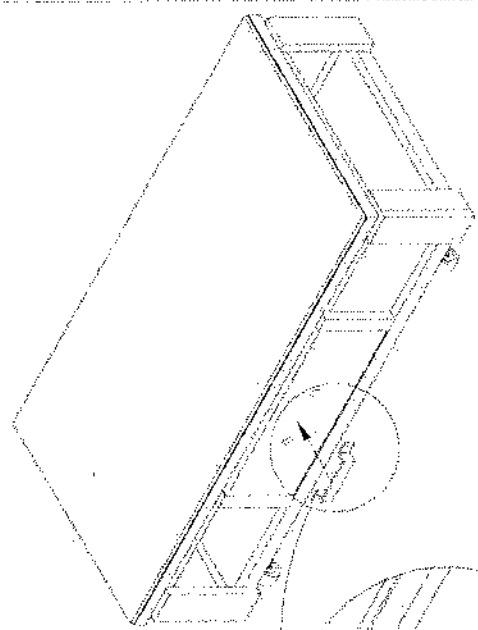
**AX2**



**BX2**



**x16**



**x16**

