

### MD210\_02

Typ 1

Typ 2

Typ 1

Typ 2

2x

2x

2x

2x

6,0x90

1091

1092

1093

1147

6,0x90

2x

8x

12x

12x

10x

3,5x15

20x

6,3x9

2x

2x

10x

5x

20x

4x15

6x

8x30

8x

6x

4x25

Typ 1

1x

Typ 2

1x

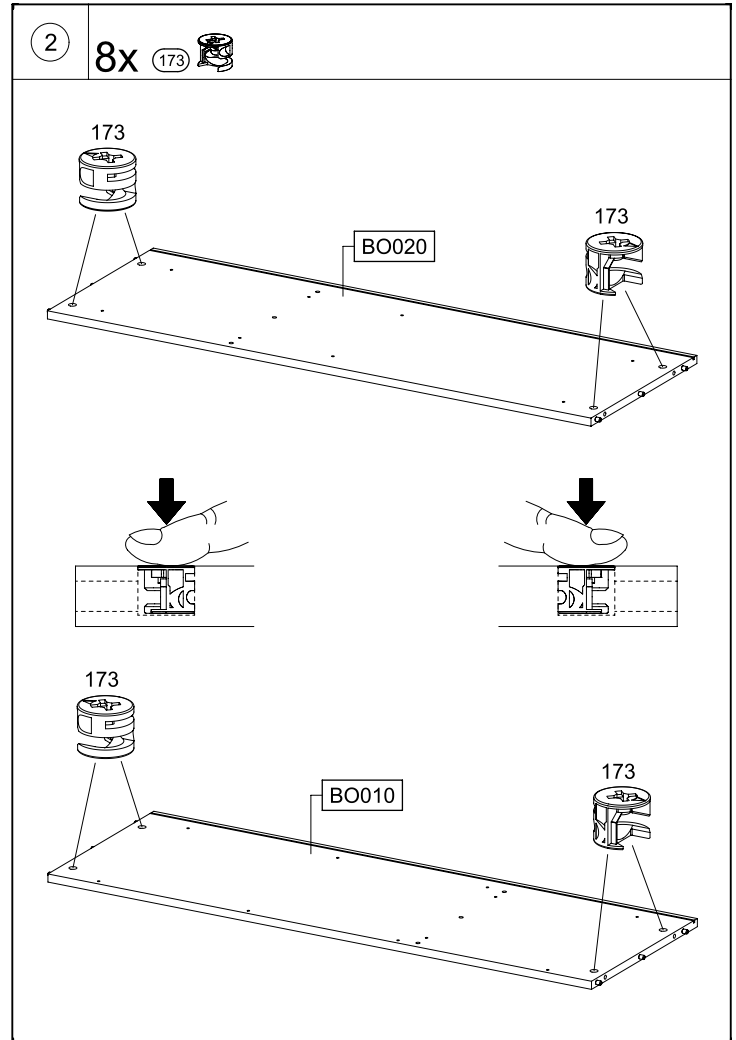
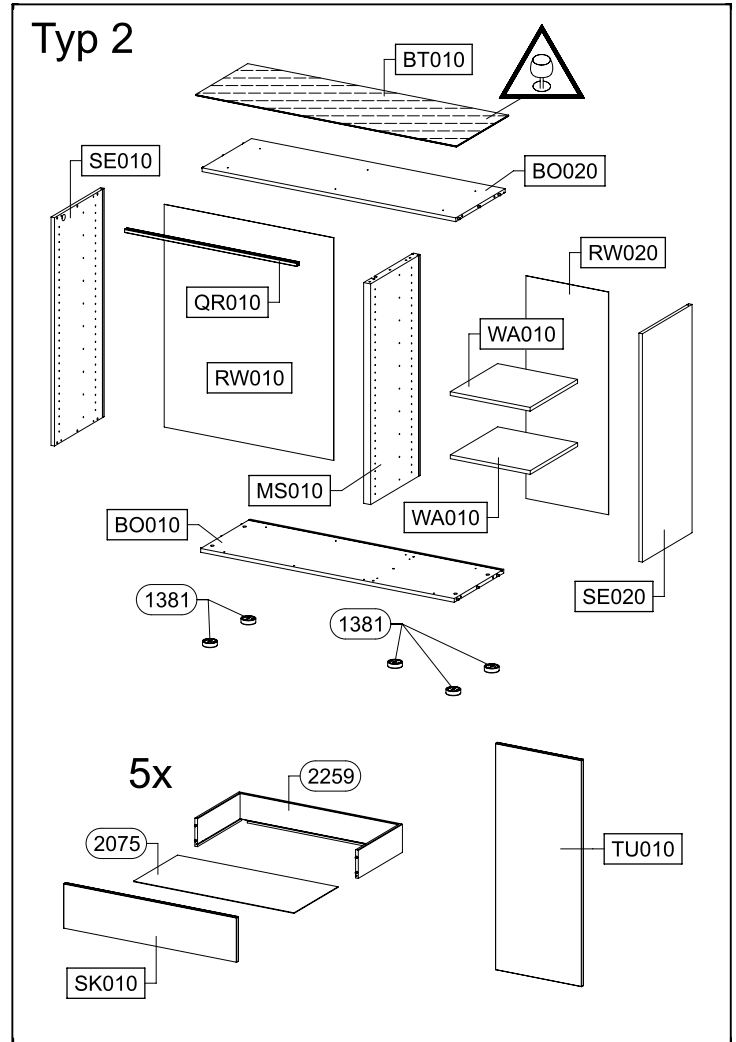
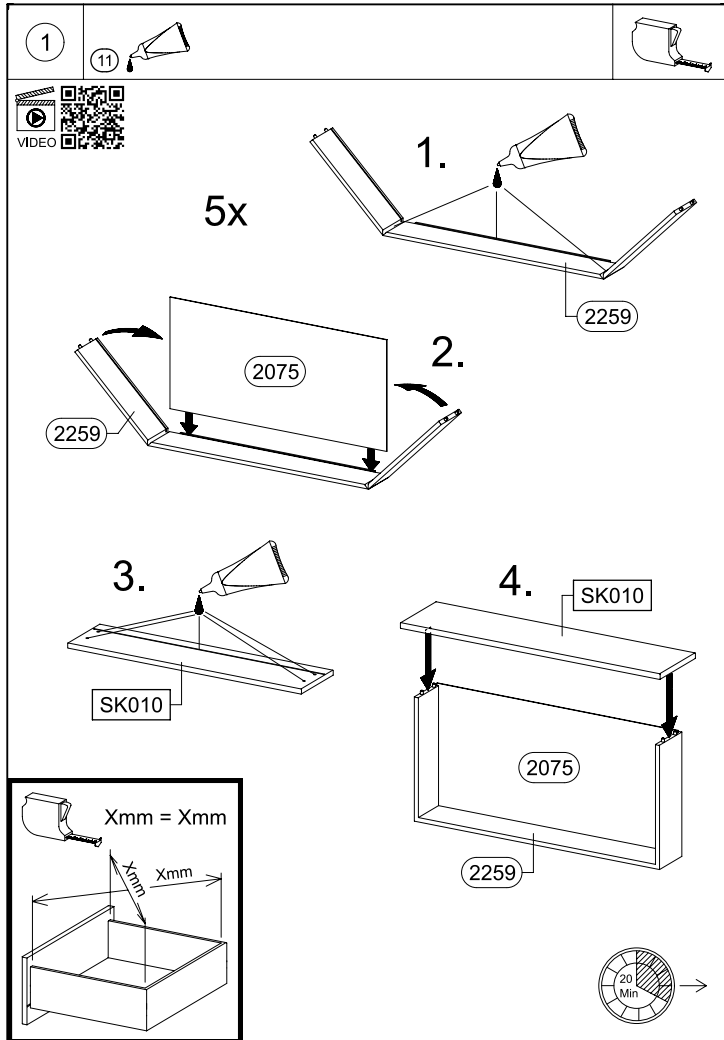
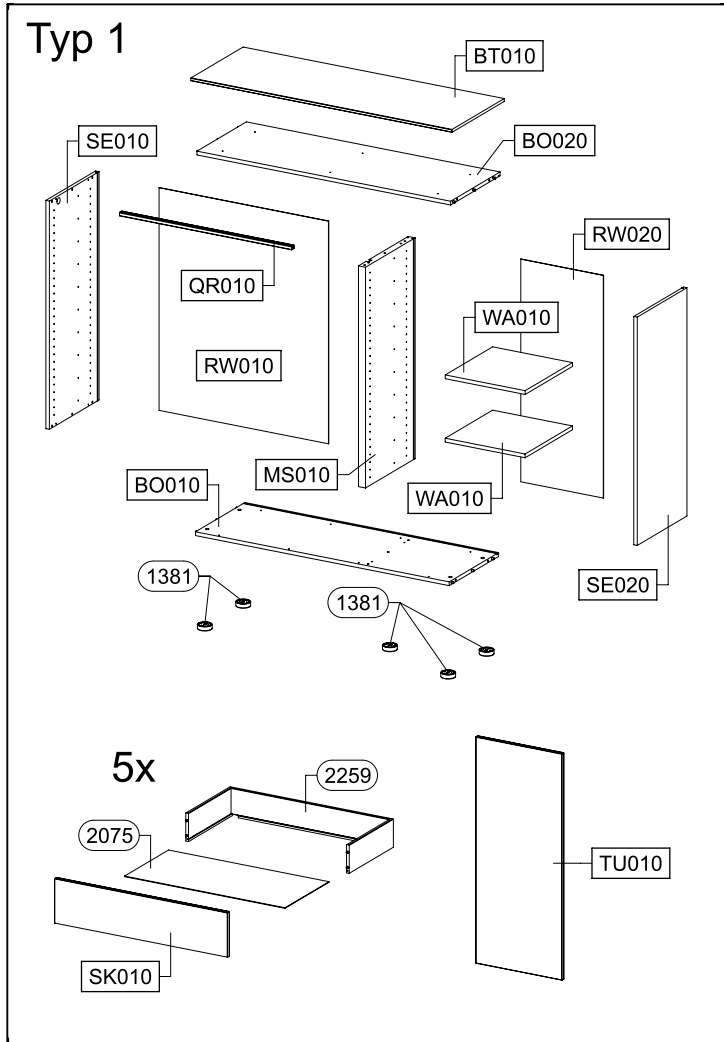
Typ 2

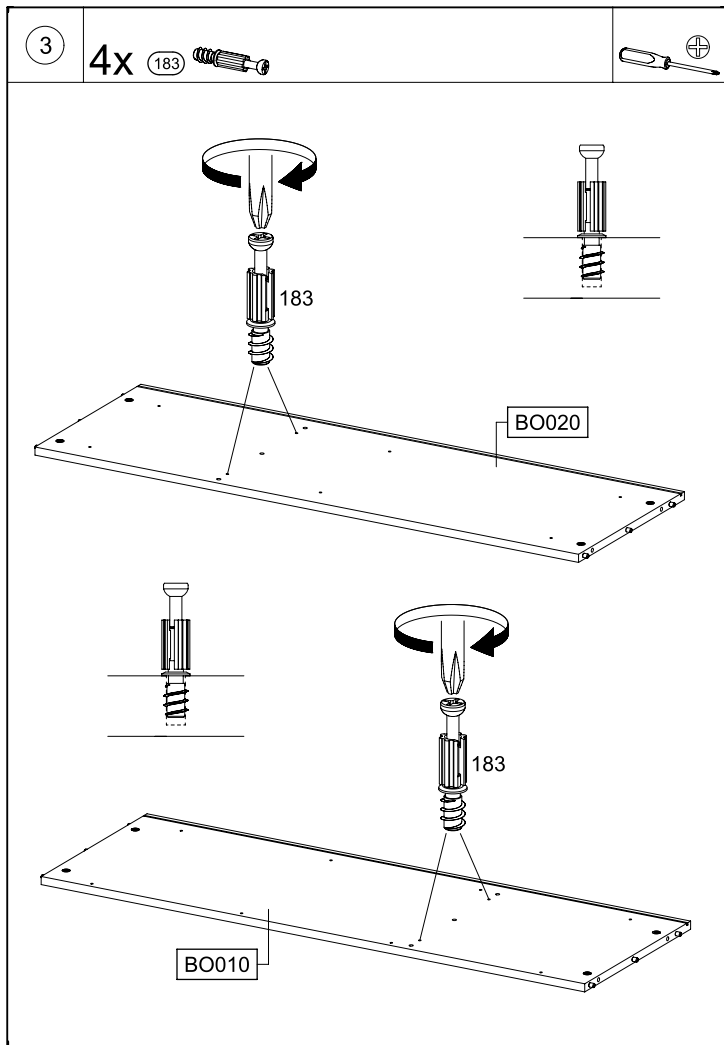
5x

UF010

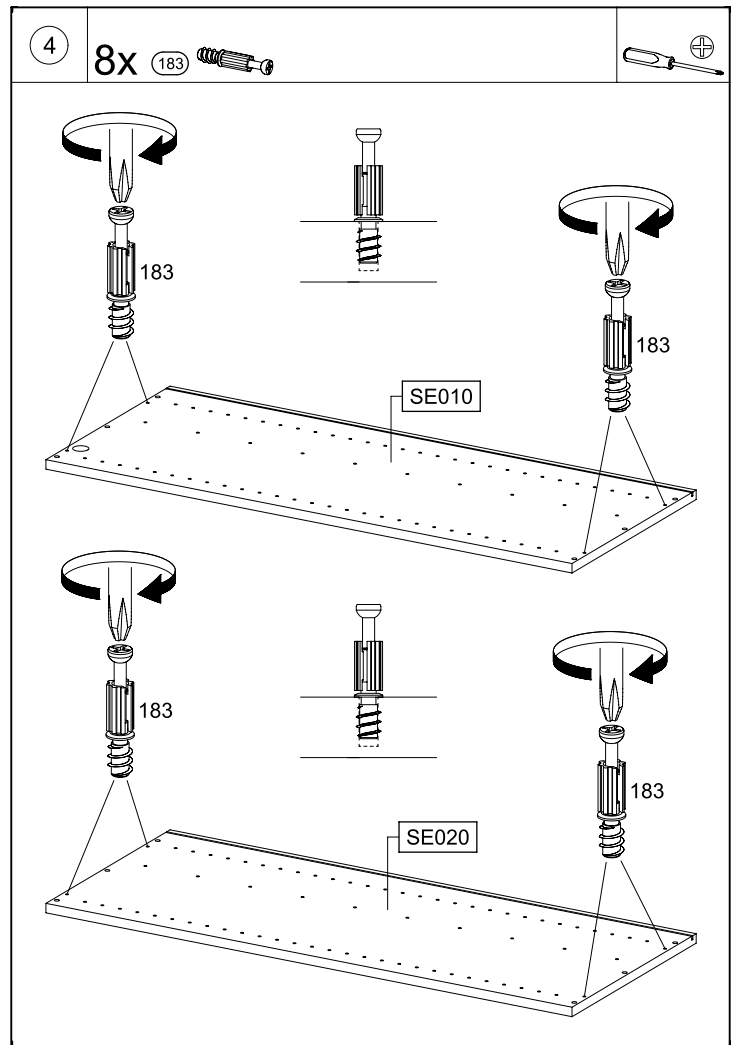
5x

UF020

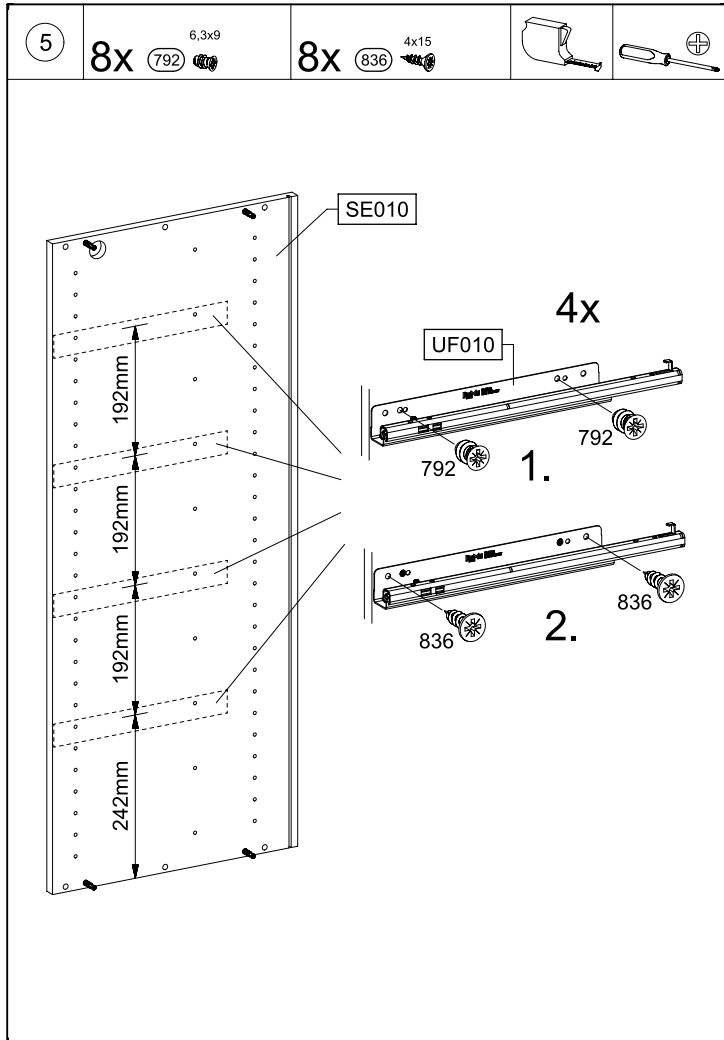




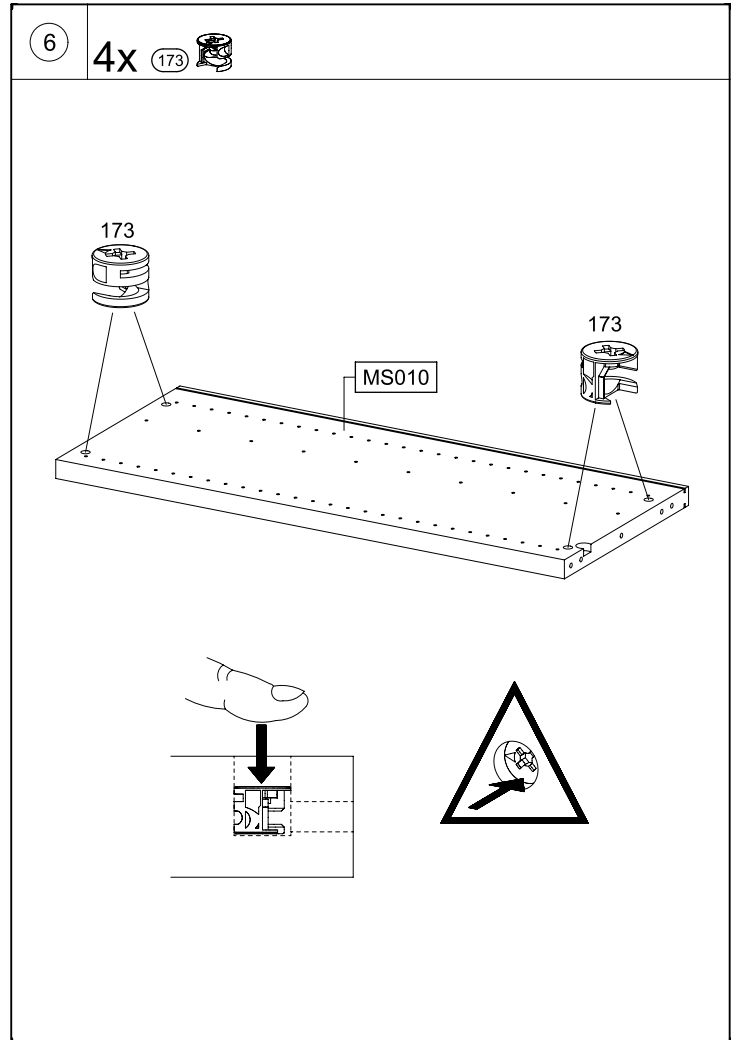
MD210



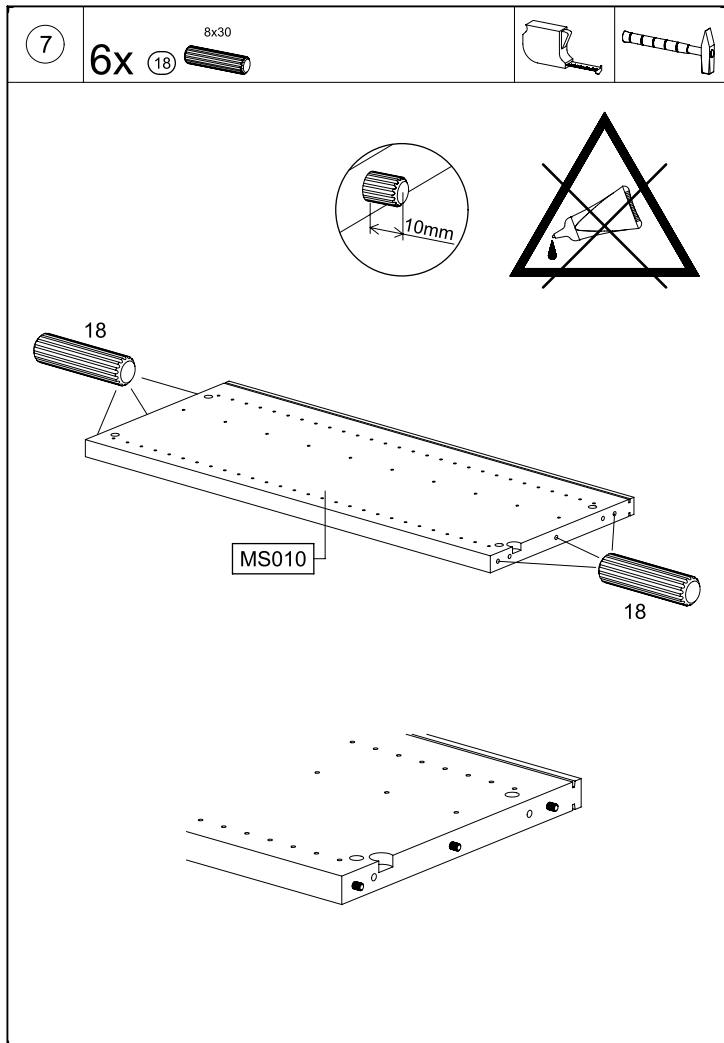
MD210



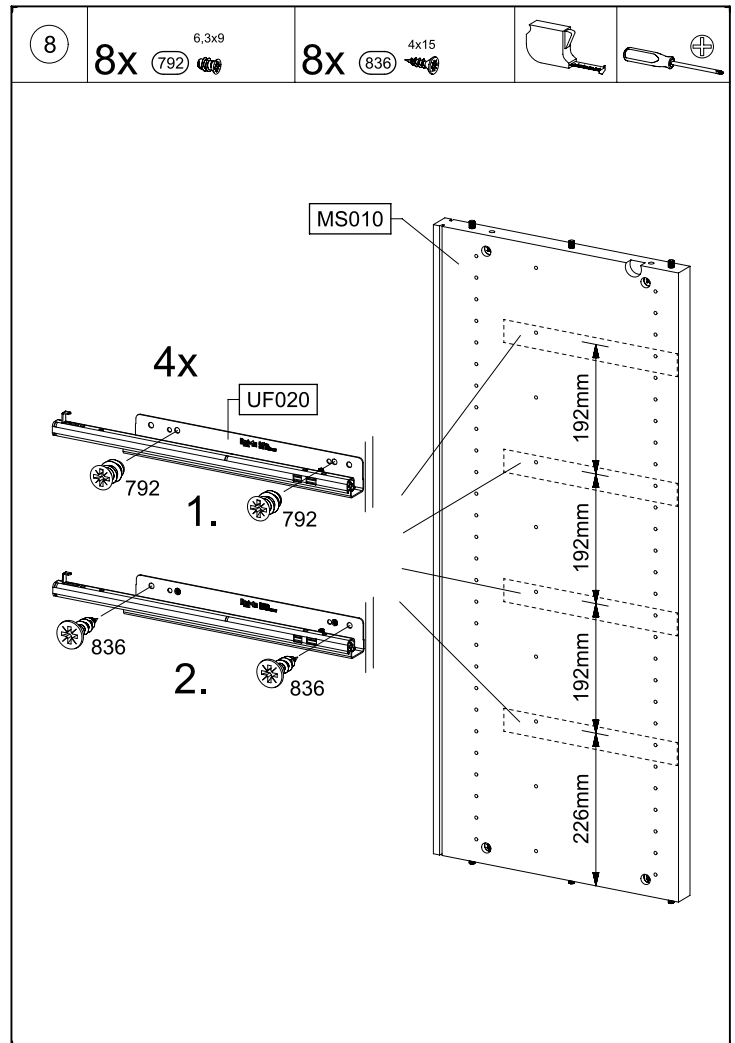
MD210



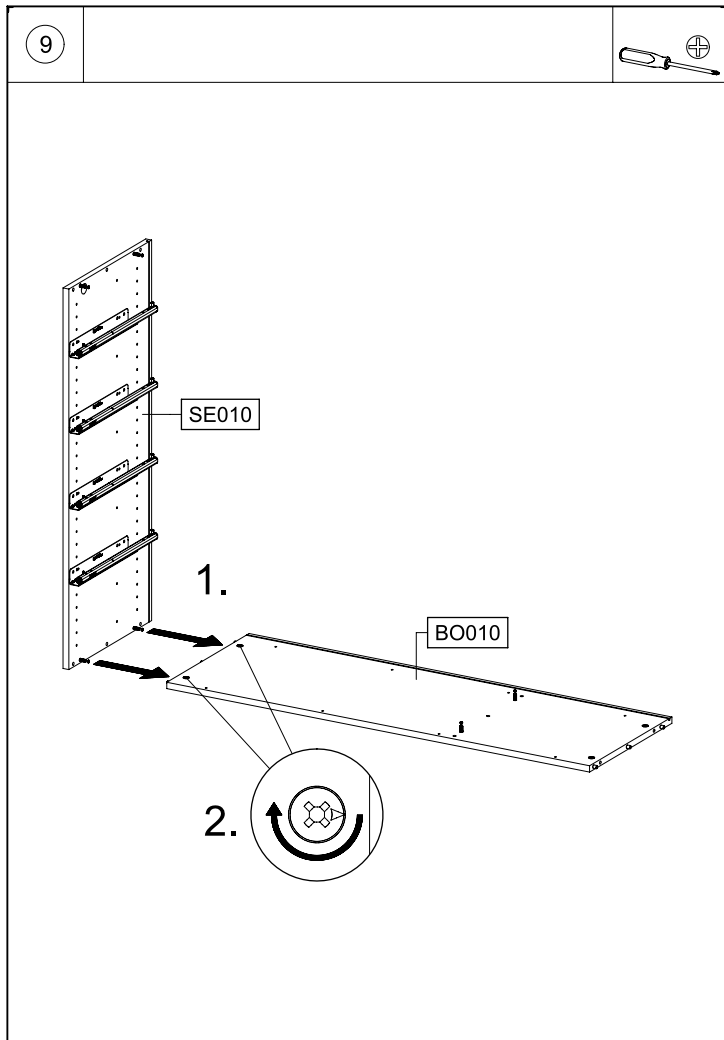
MD210



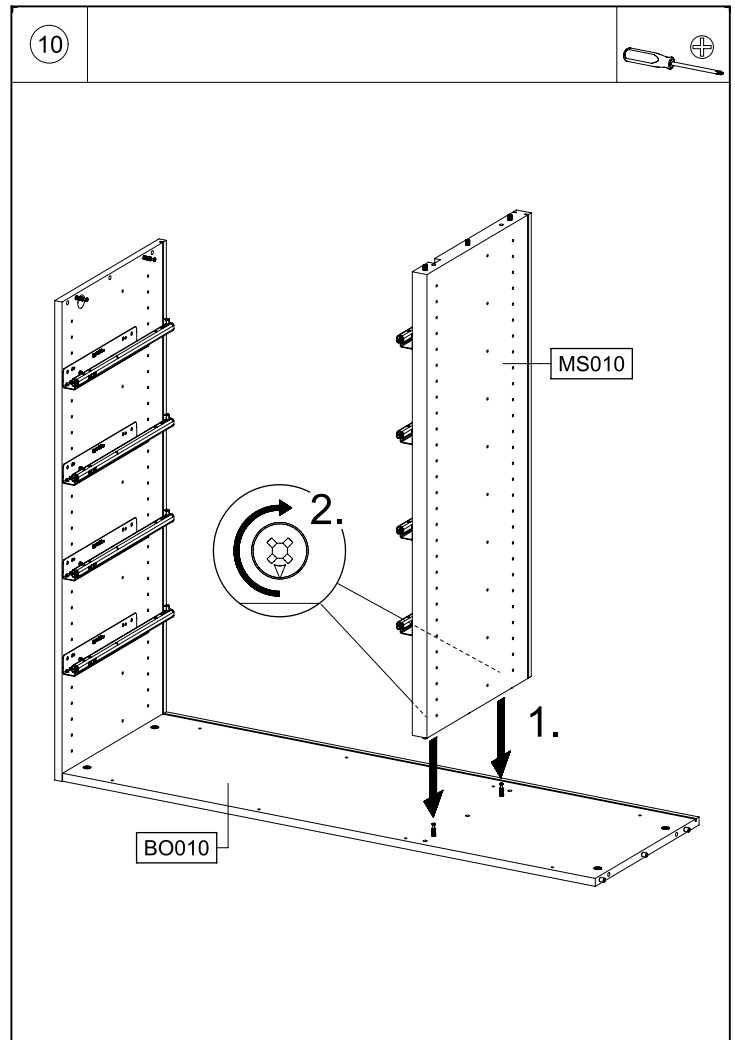
MD210



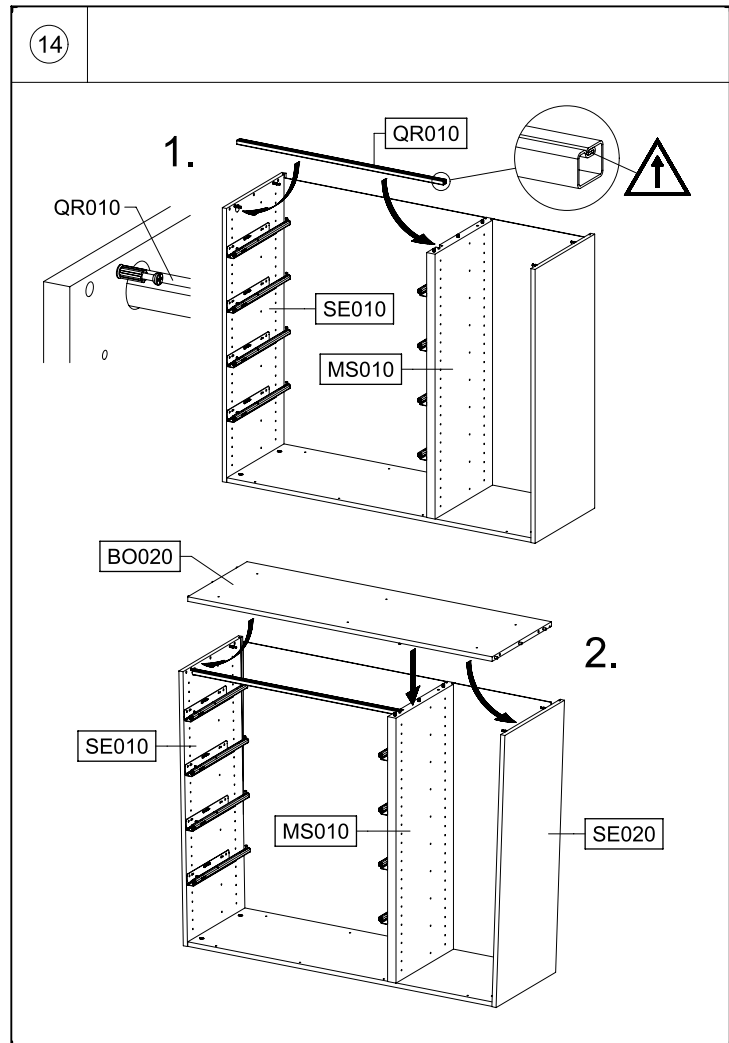
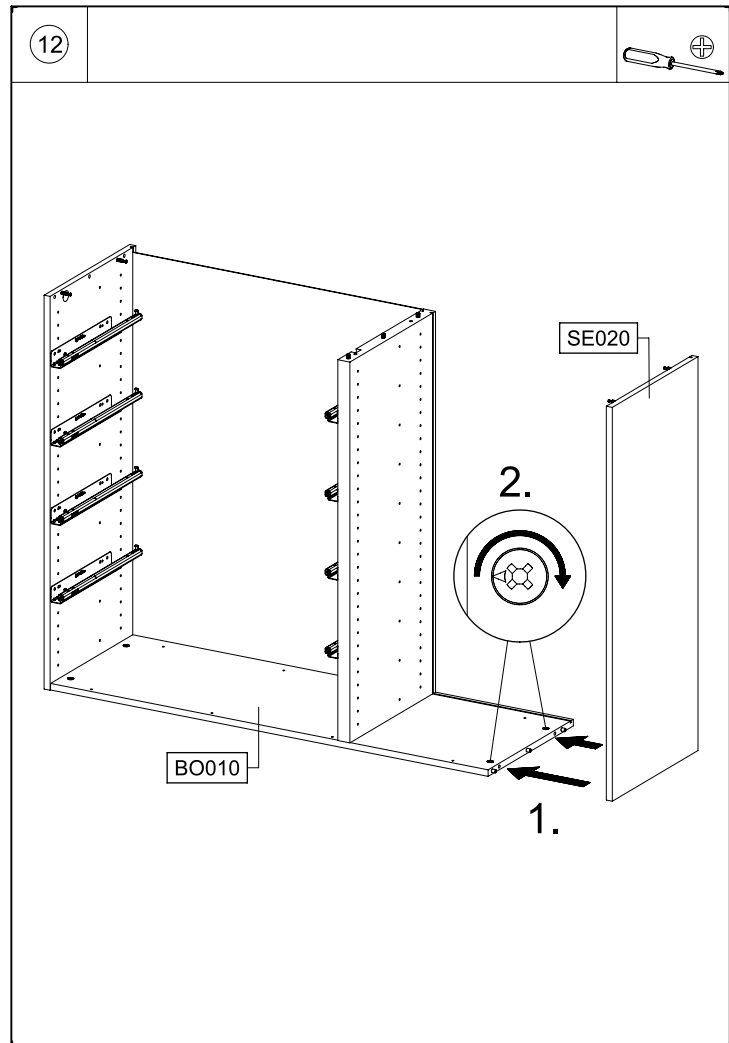
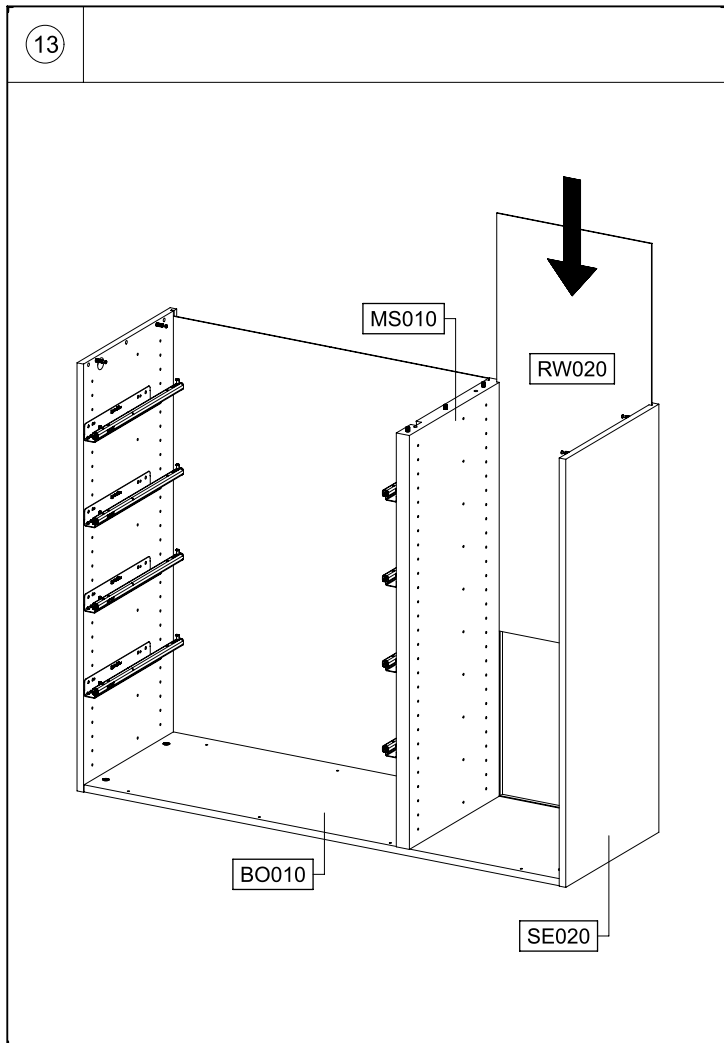
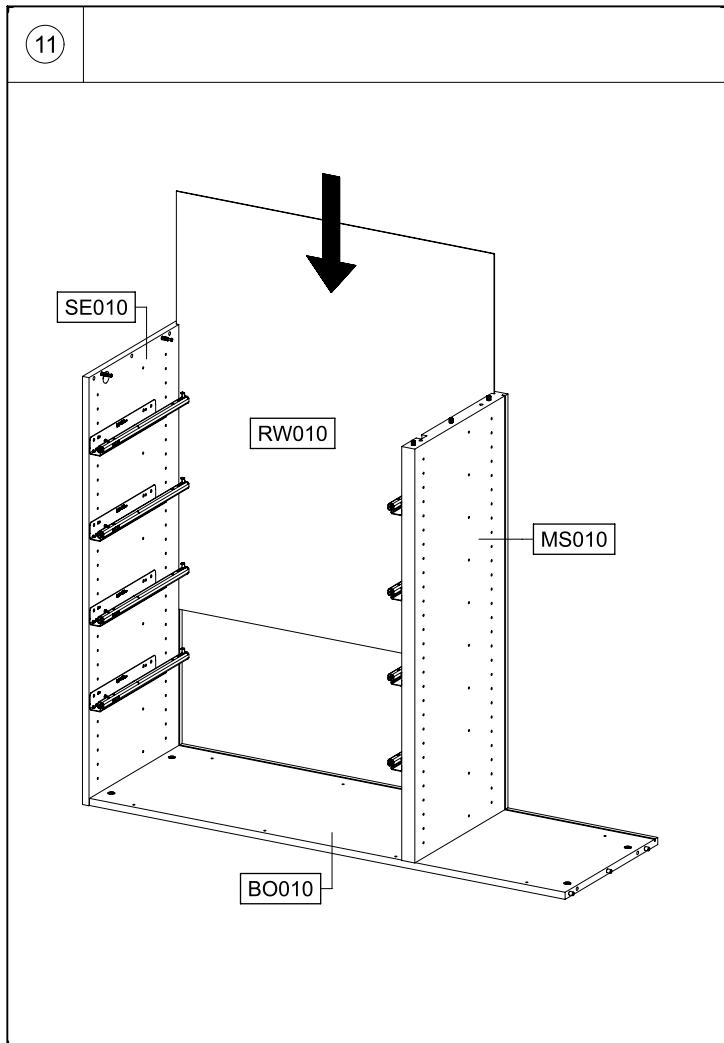
MD210

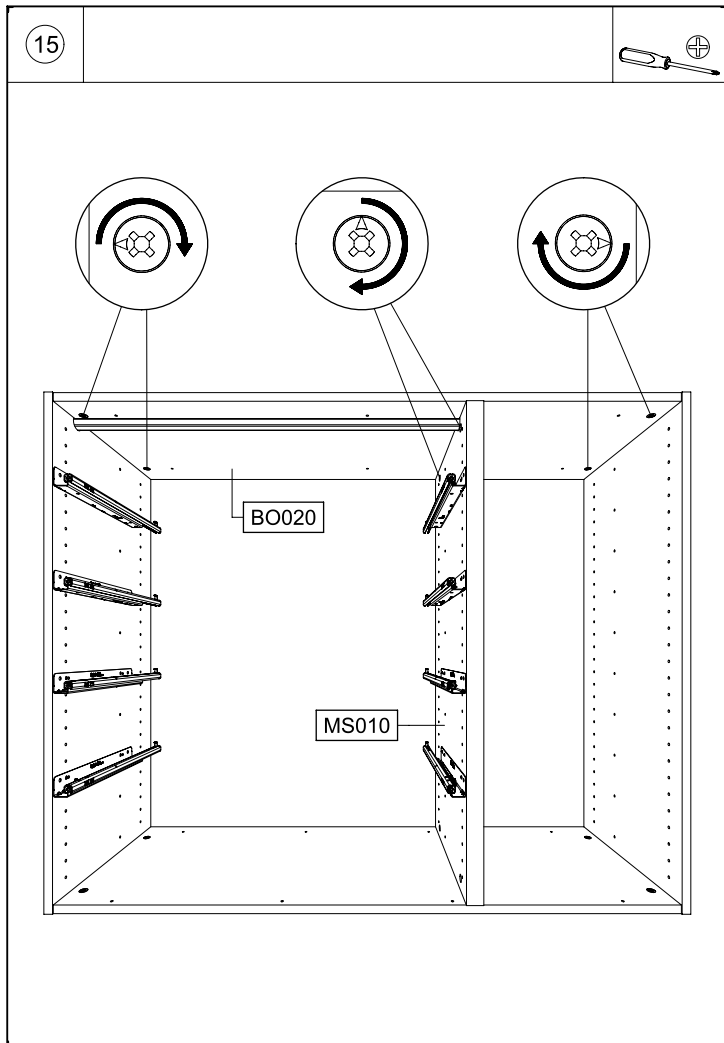


MD210

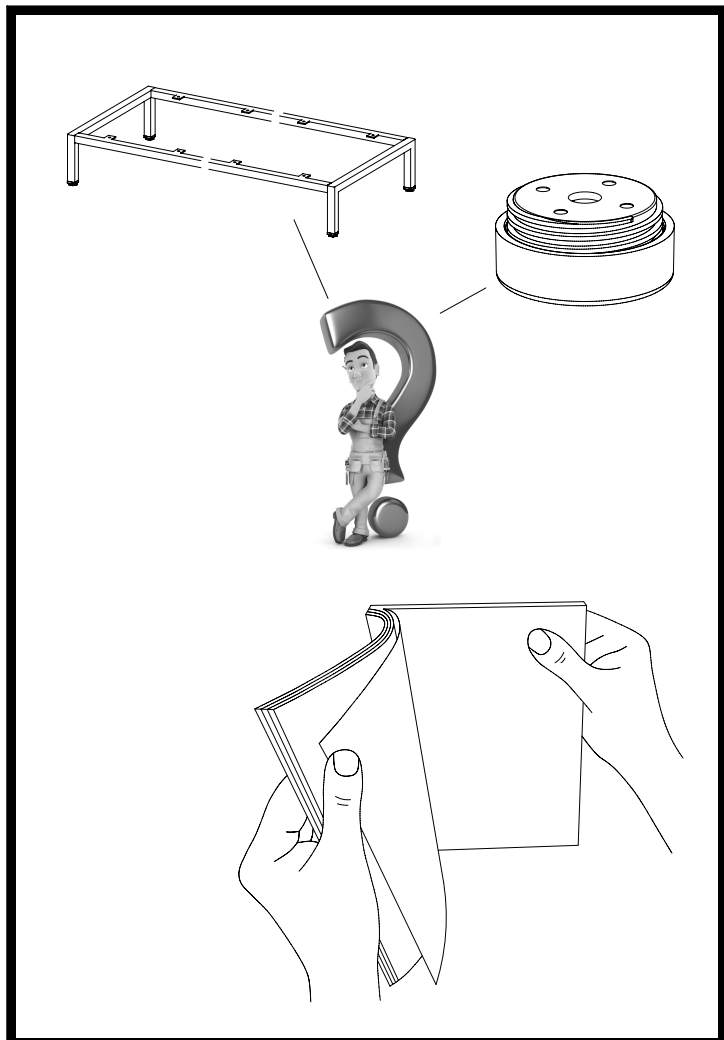


MD210

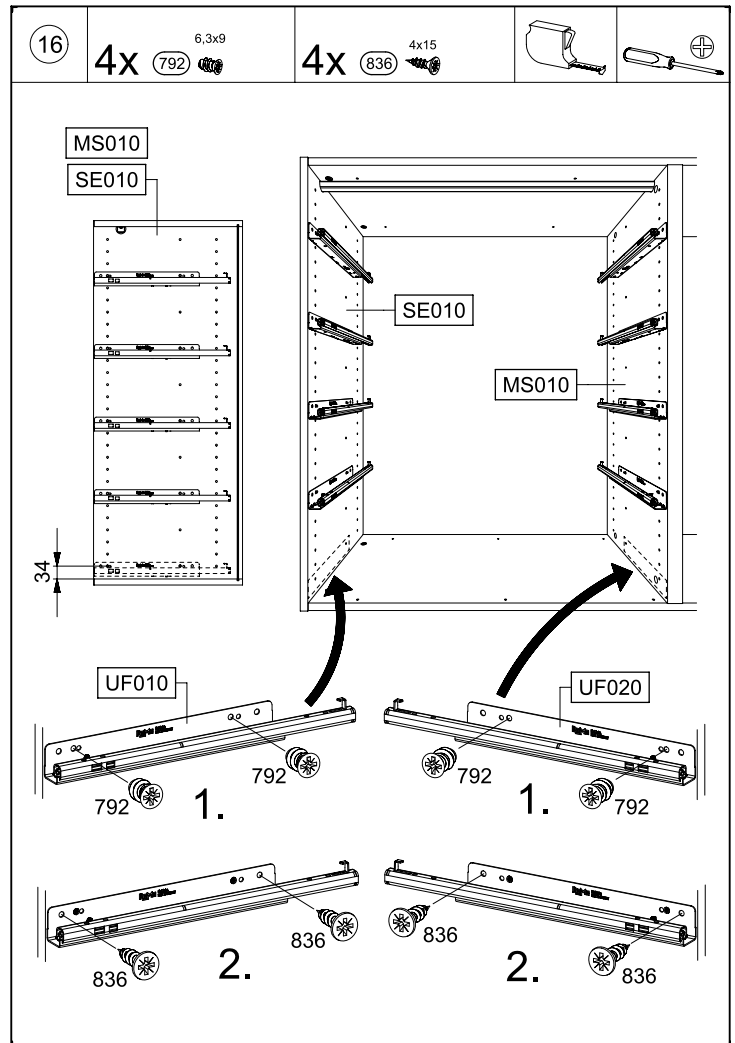




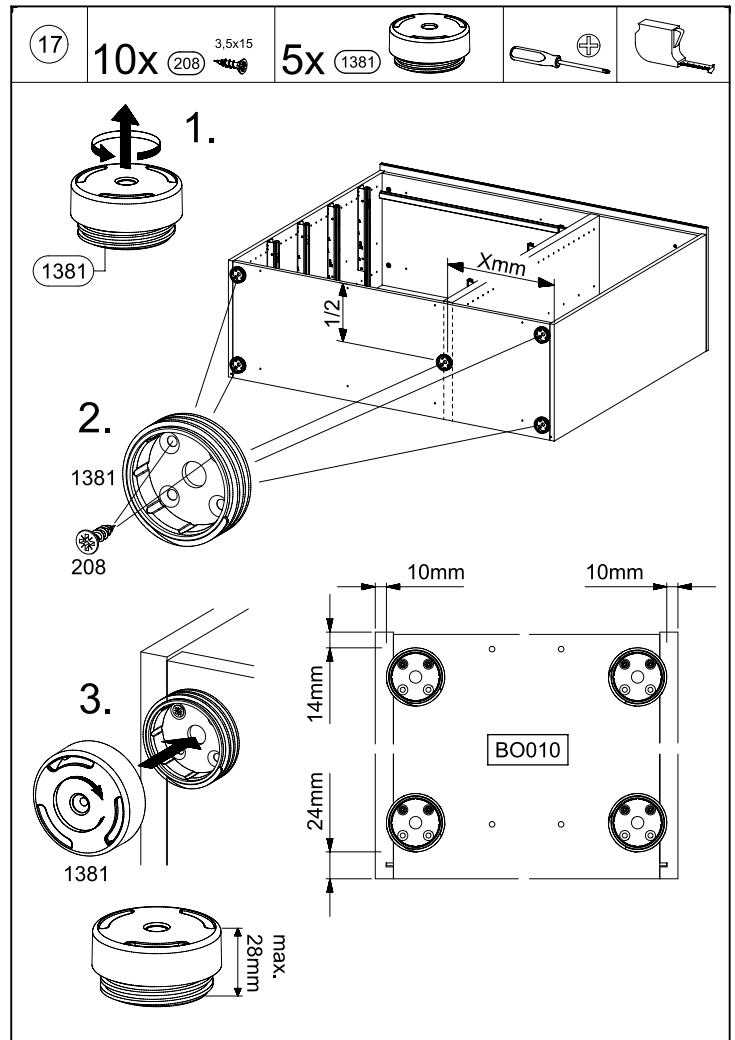
MD210



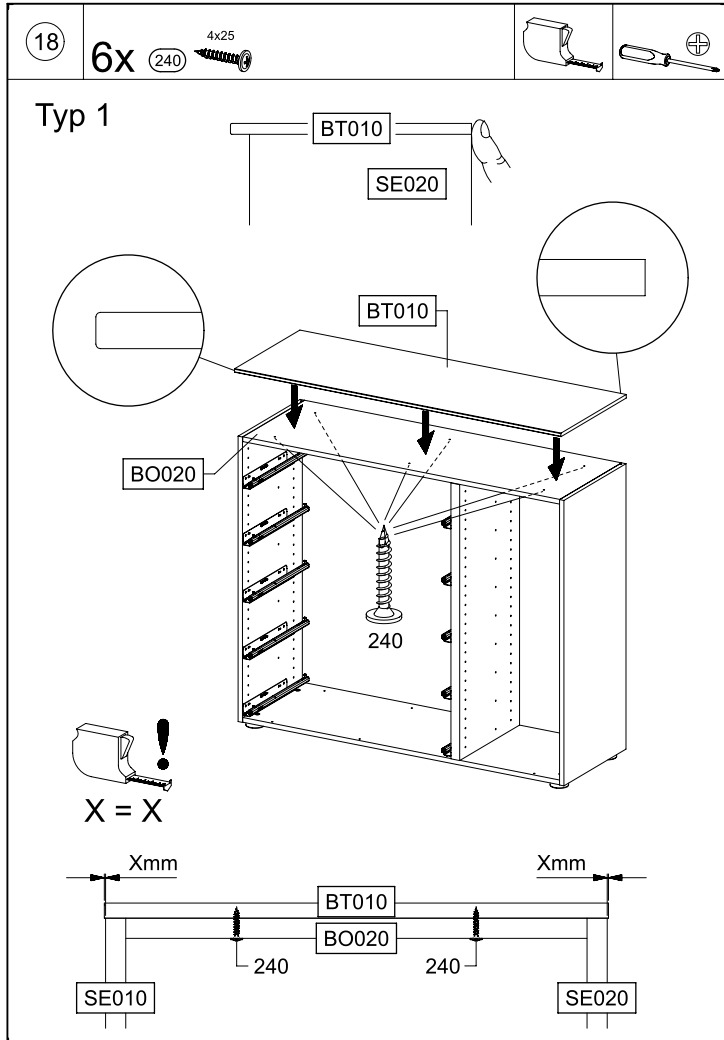
MD210



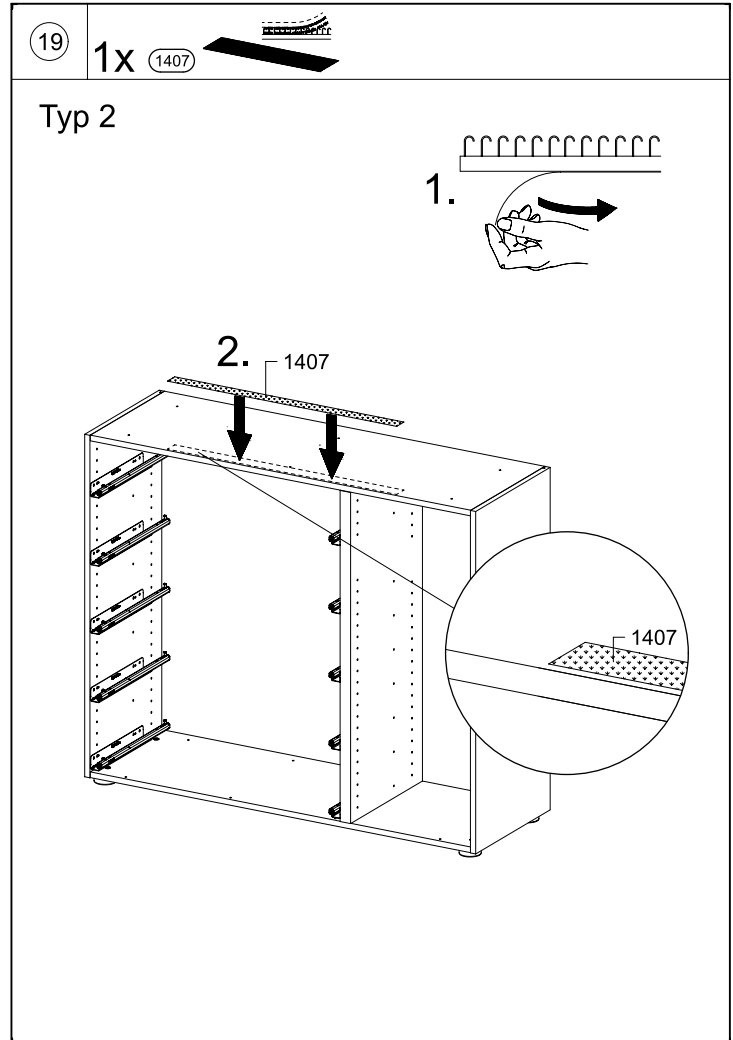
MD210



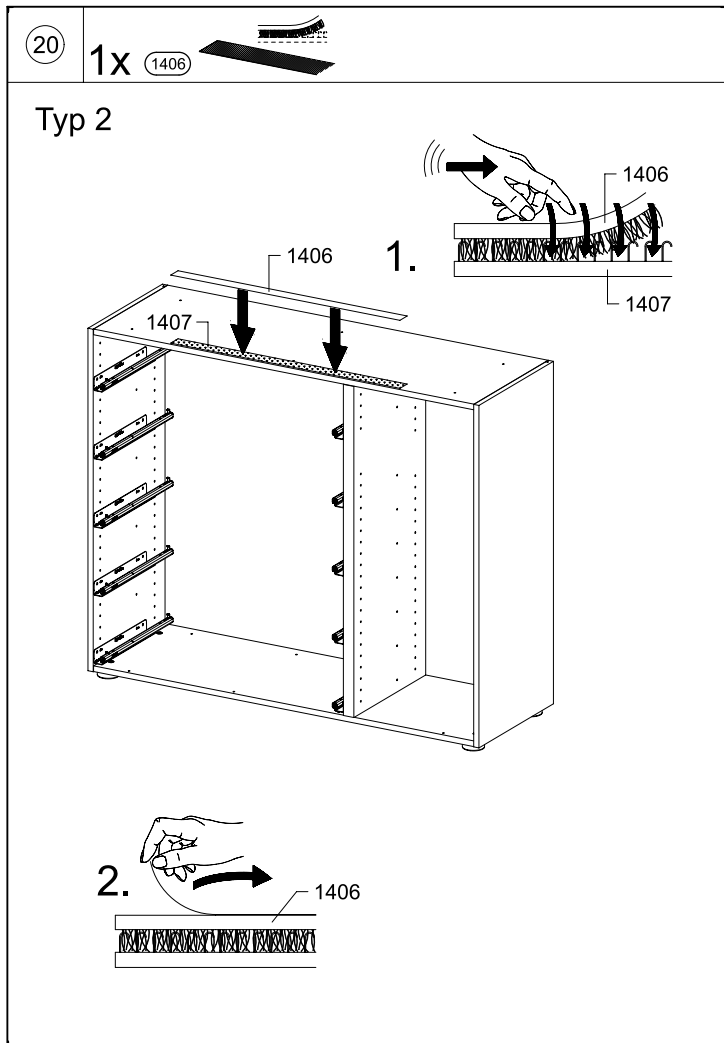
MD210



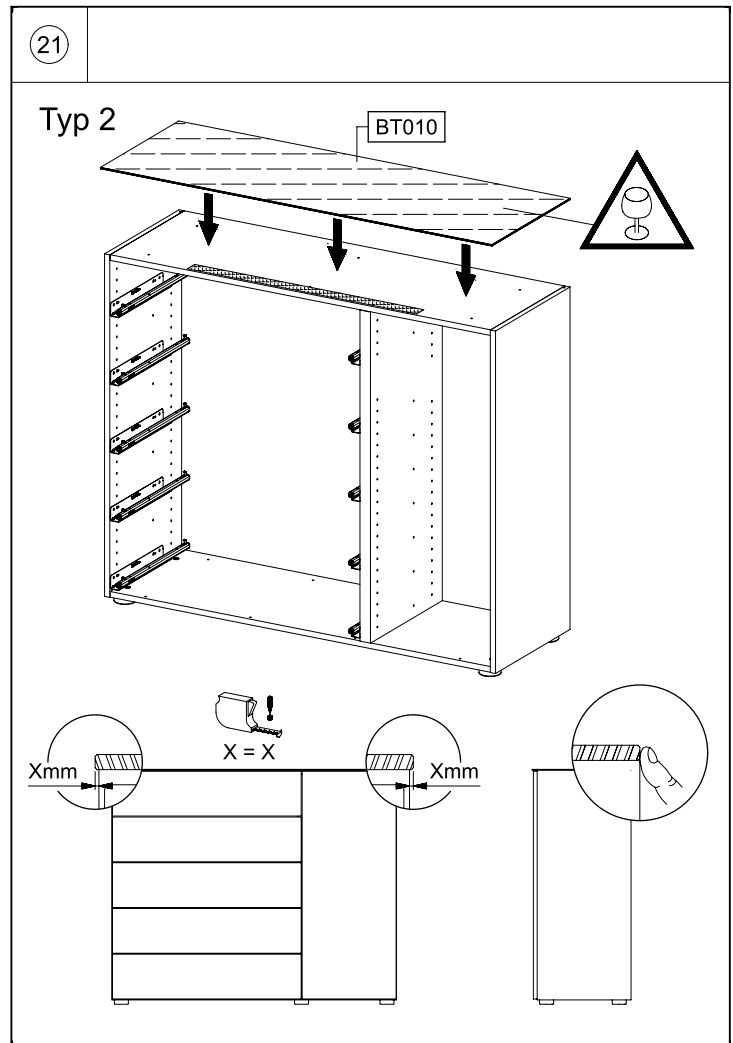
MD210



MD210



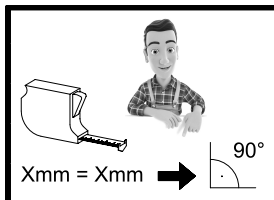
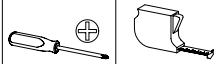
MD210



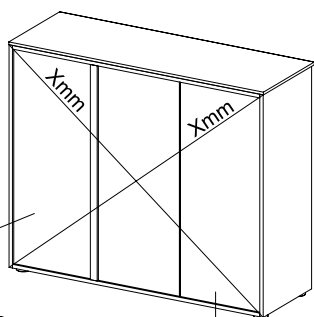
MD210

22

8x 45



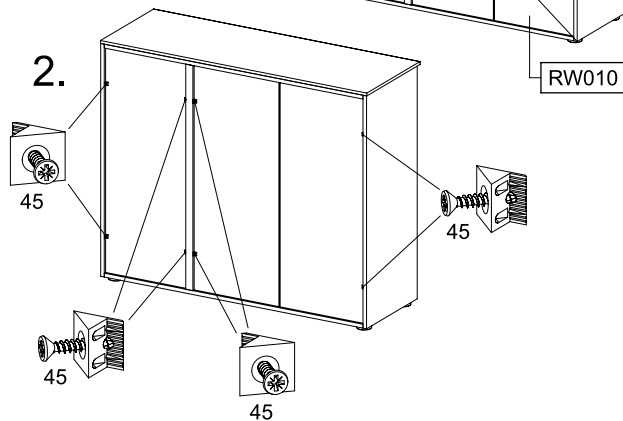
1.



RW020

RW010

2.



45

45

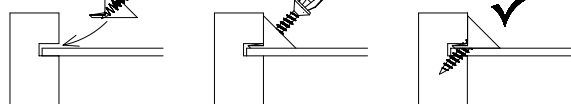
45

45

1.

2.

3.

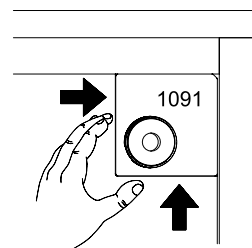
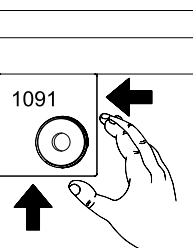
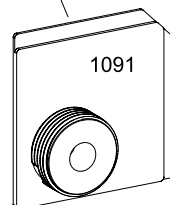
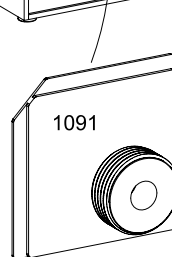
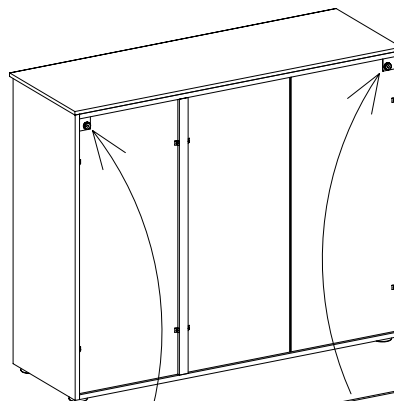


MD210

31.

23

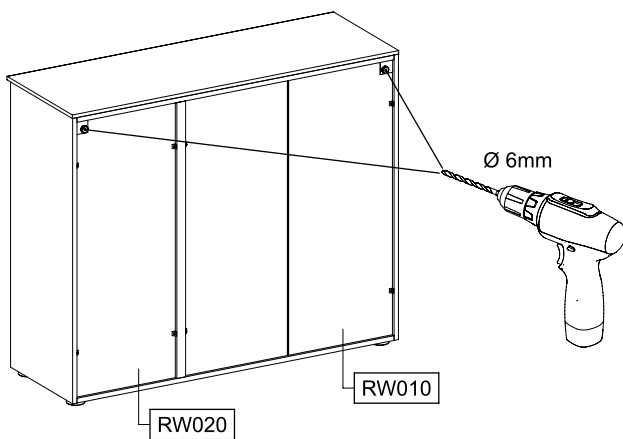
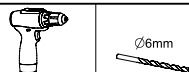
2x 1091



MD210

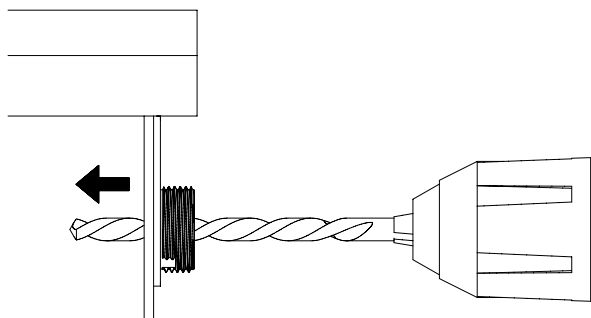
32.

24



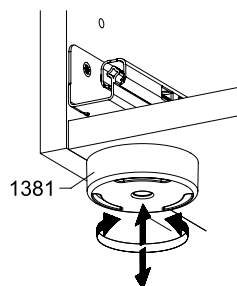
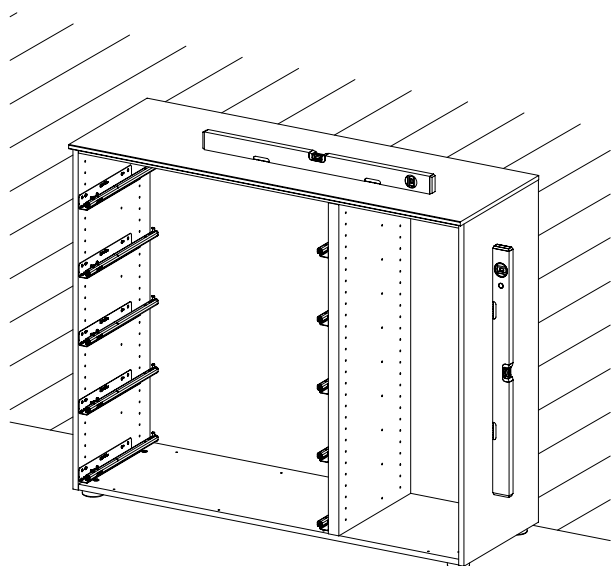
RW020

RW010



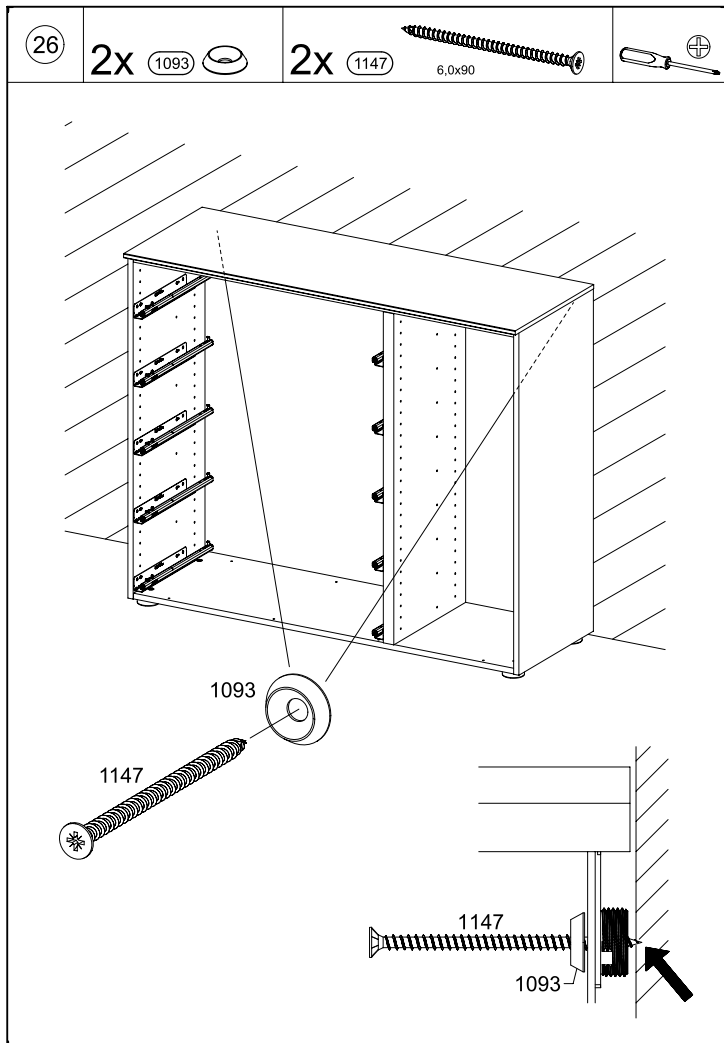
MD210

25

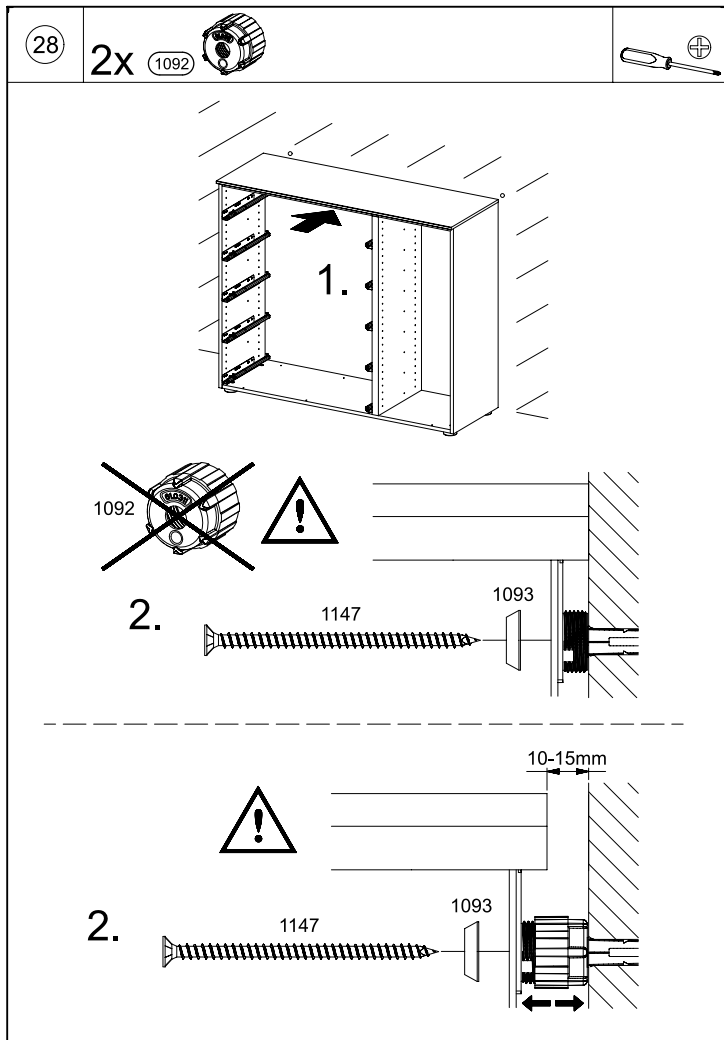


1381

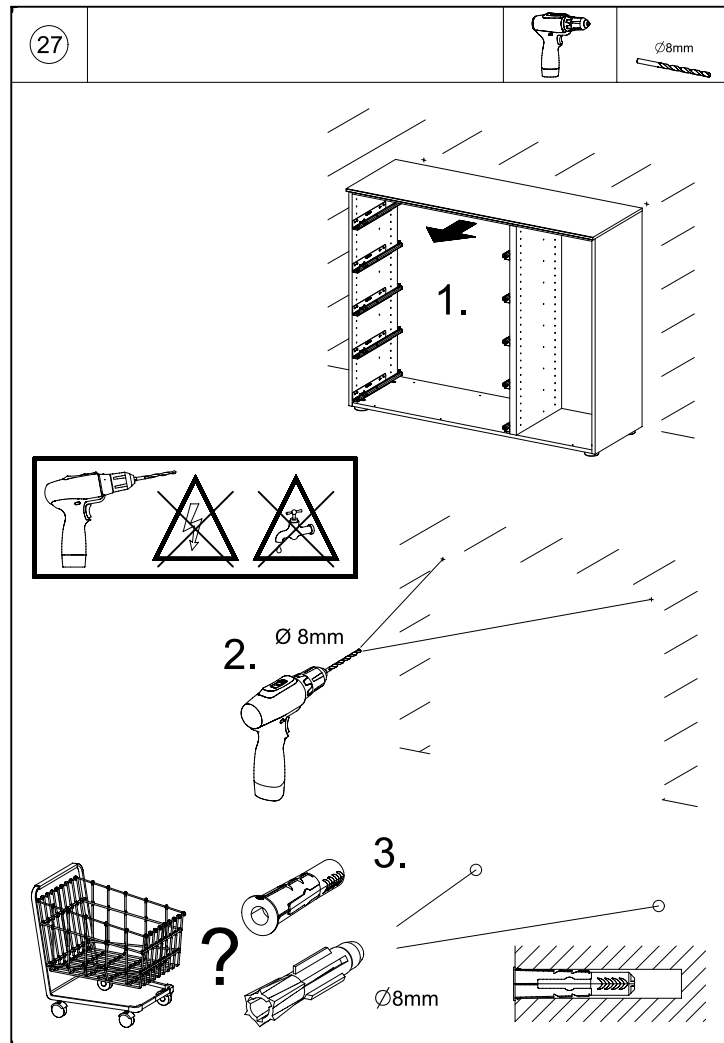
MD210



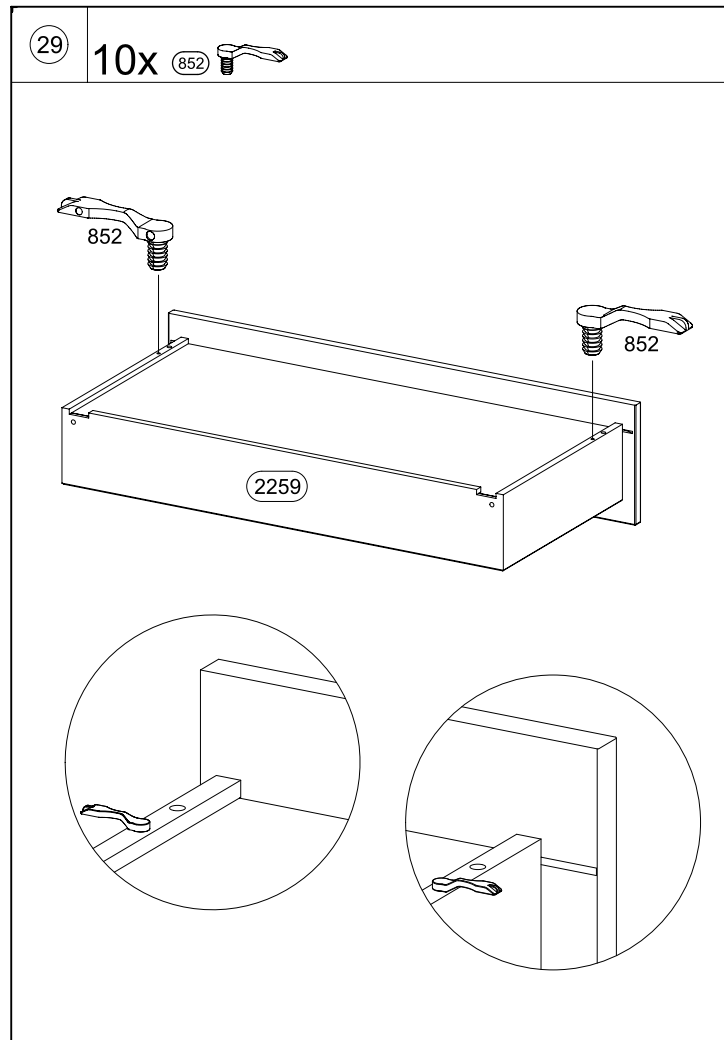
MD210



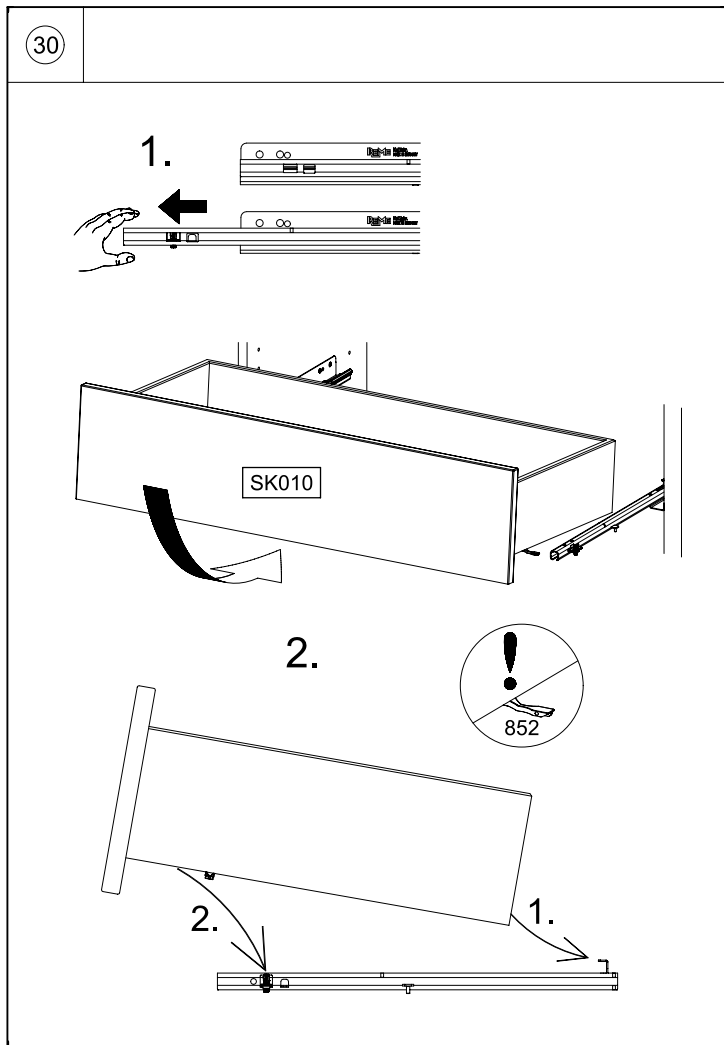
MD210



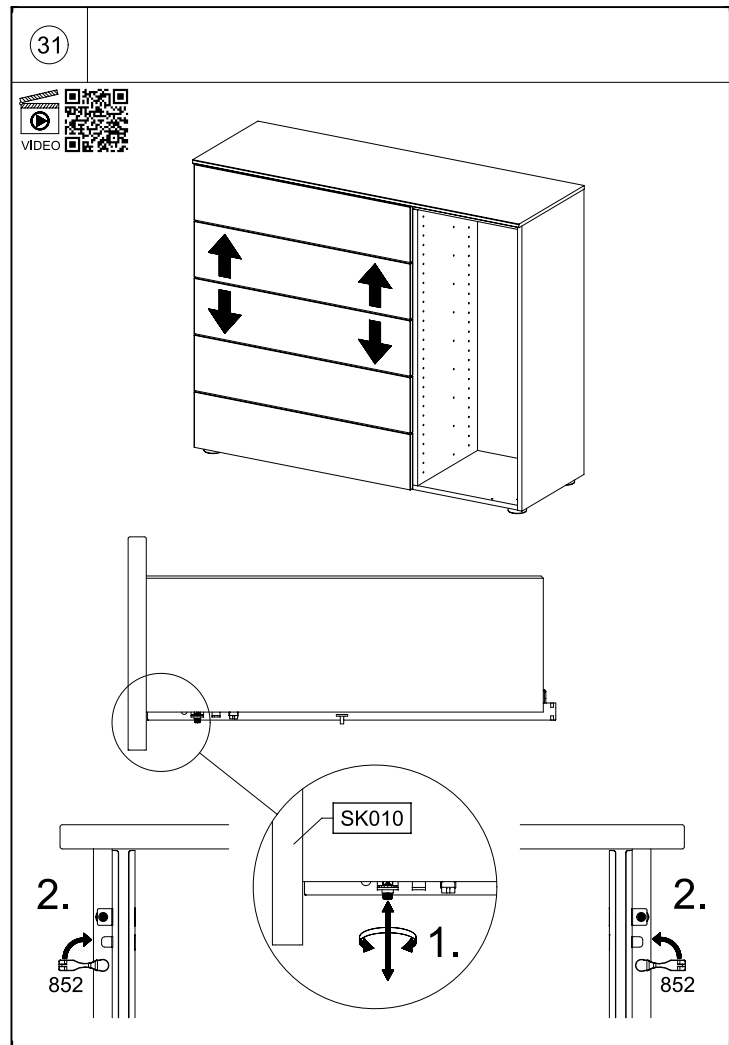
MD210



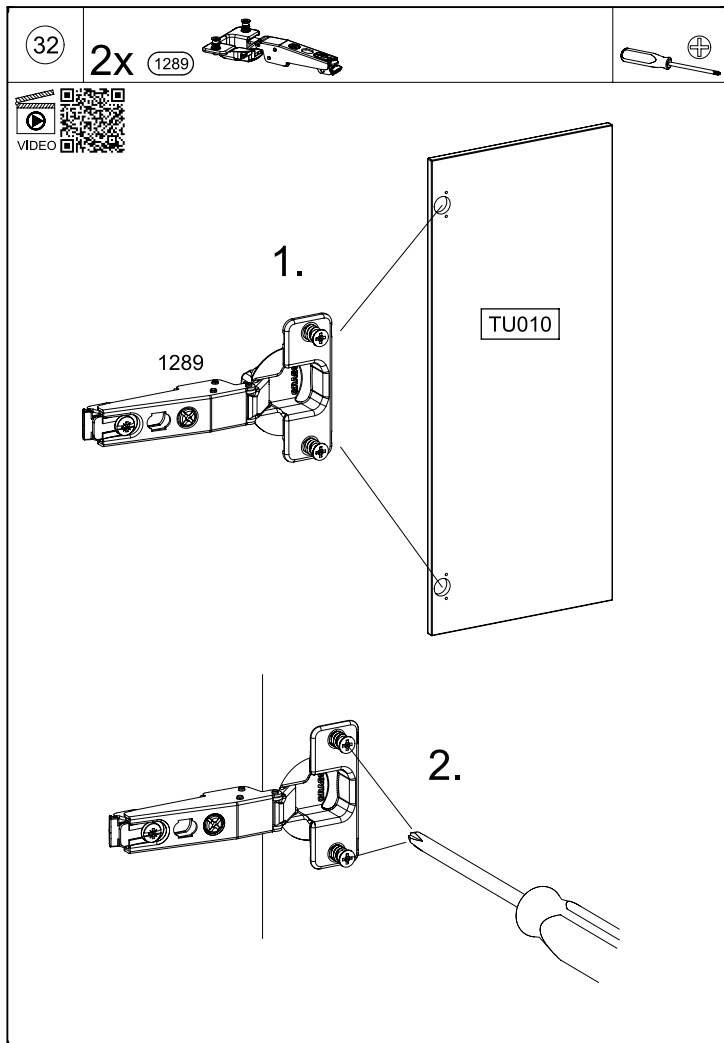
MD210



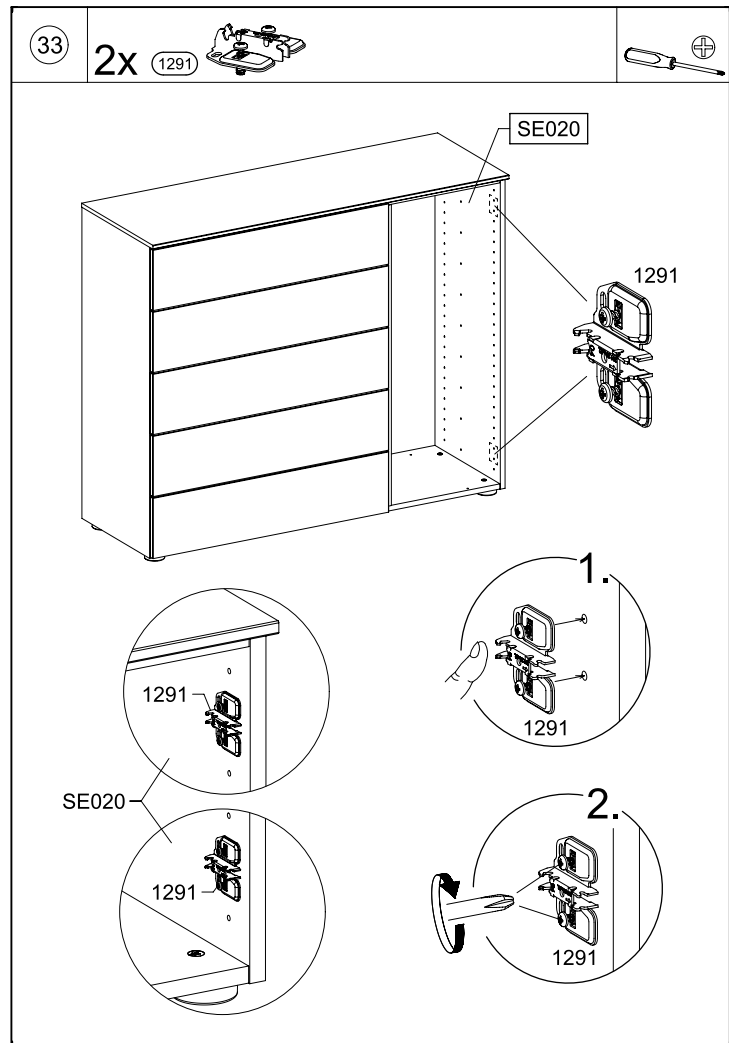
MD210



MD210



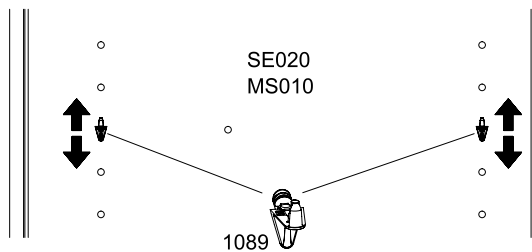
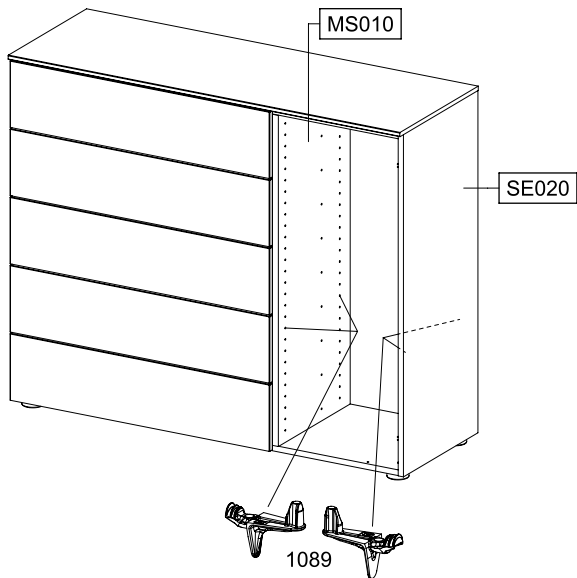
MD210



MD210

34

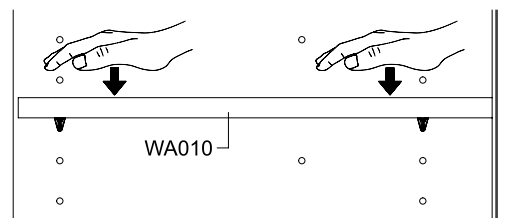
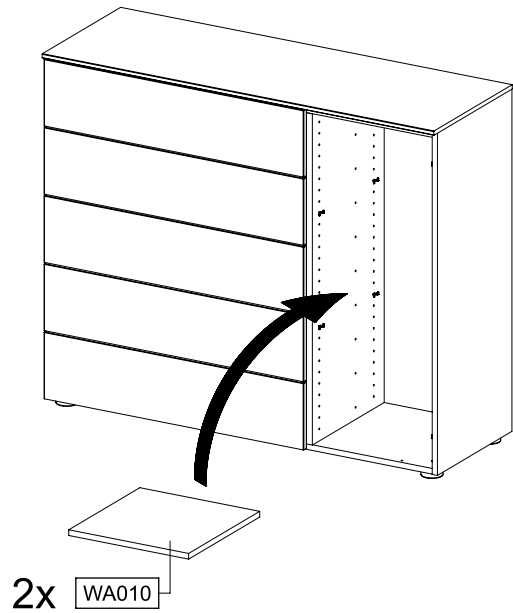
8x 1089



MD210

43.

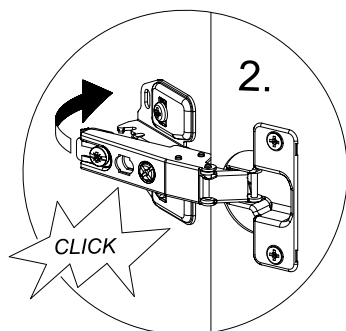
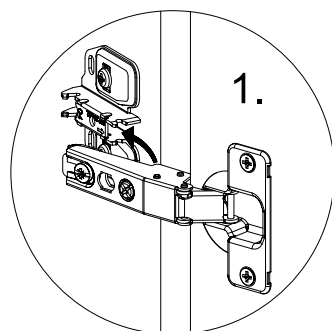
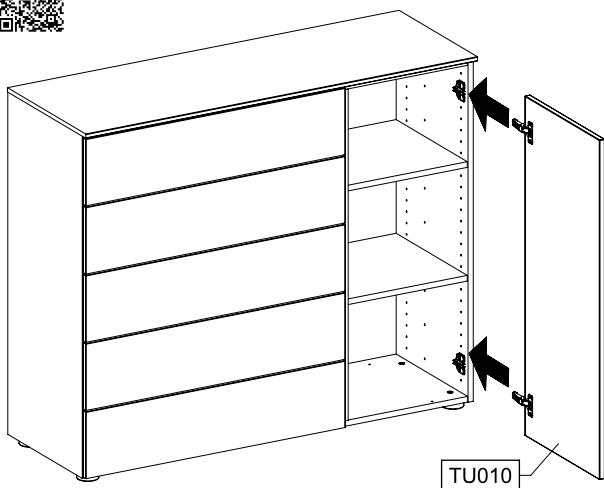
35



MD210

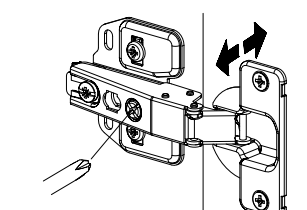
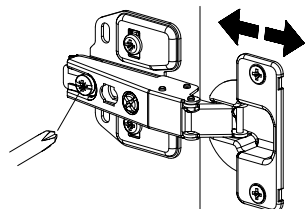
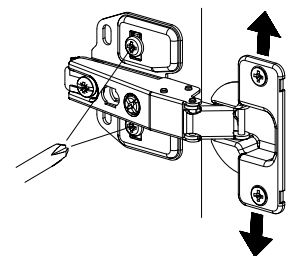
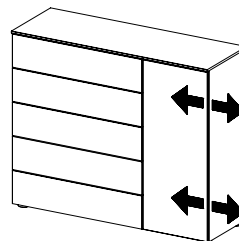
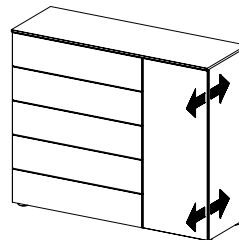
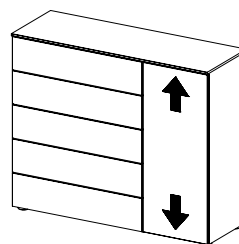
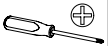
44.

36



MD210

37



MD210

