

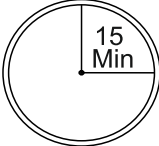
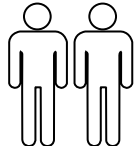
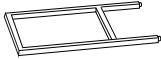

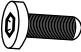
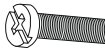




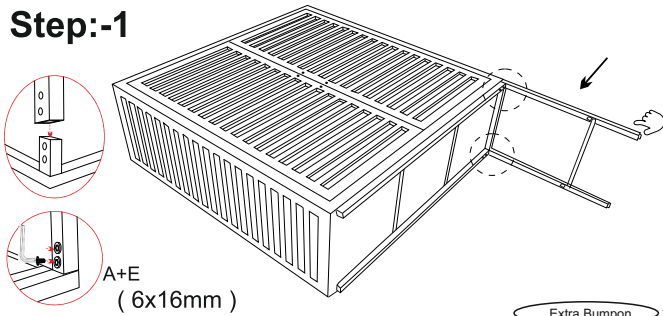
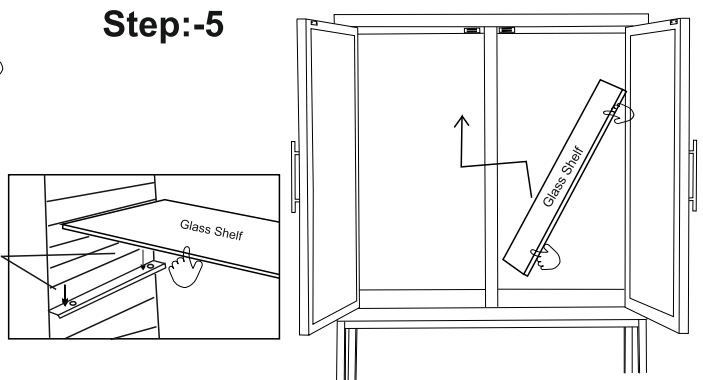
 x1	 x10 Extra Bumpon	<b>Art. No.71370-L</b>			
 x2		 15 Min 			
 x2	<b>A</b>	<b>B</b>	<b>C</b>	<b>D</b>	<b>E</b>
 x2					
 x1	( 6x16mm ) ( 4x35mm ) ( 4x16mm ) ( 4x12mm ) ( 4mm ) ( 16 Pcs.) ( 04 Pcs.) ( 06 Pcs.) ( 06 Pcs.) ( 1Pcs.)				

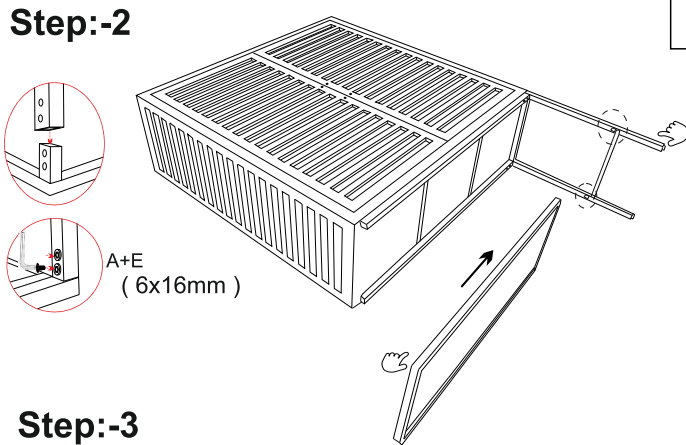
**Step:-1**



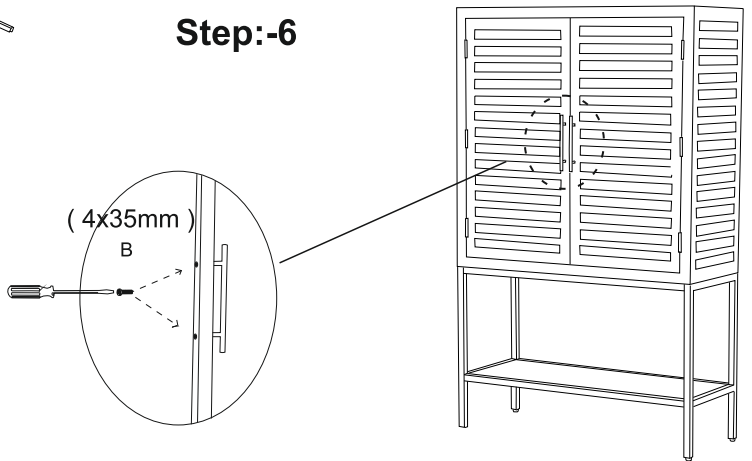
**Step:-5**



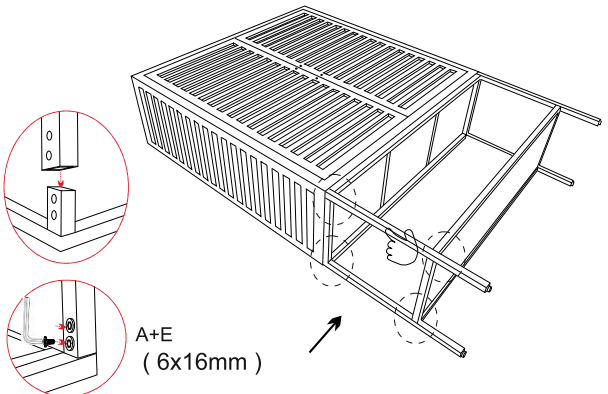
**Step:-2**



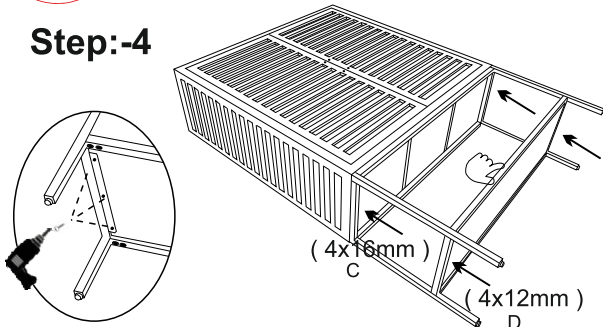
**Step:-6**



**Step:-3**

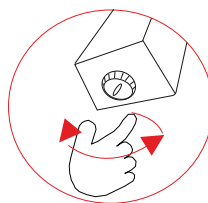


**Step:-4**

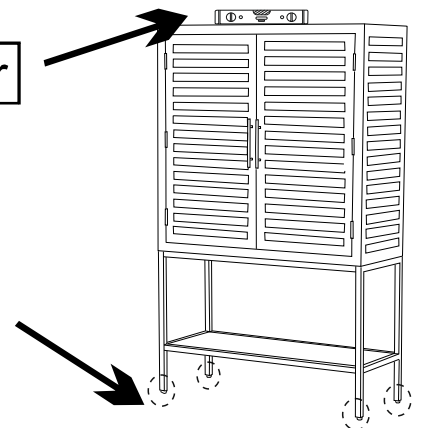


Assembled Product

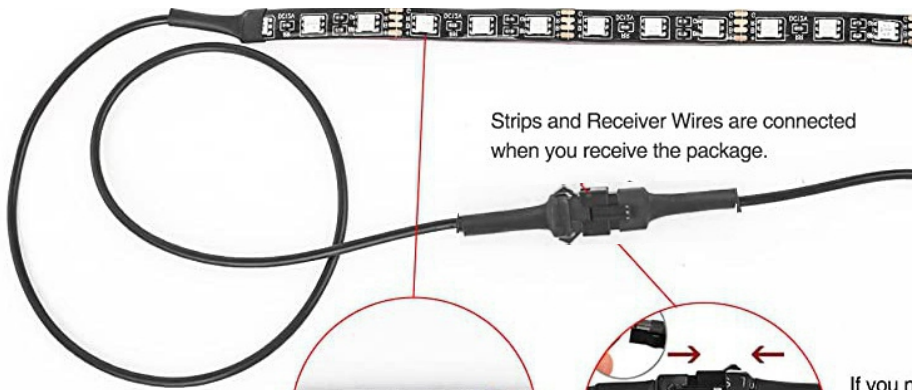
**Leveler**



**ADJUSTABLE SLIDING NAILS**



# Step:-7



Strips and Receiver Wires are connected when you receive the package.



If you need to unplug the connection, please notice to keep pressing down the highlighted part and then unplug.



If you need to unplug the connection, please notice to keep pressing down the highlighted part and then unplug.