

AVALON

H&H

ASSEMBLY INSTRUCTION

HIGH BOARD
ART. NO. - 42489
120X42X150 CM

- A - BOLT SIZE - 30X8 MM (8 Pcs)
- B - WASHER SIZE - 3X8 MM (8 Pcs)
- C - L-KEY (01 Pc)
- D - Screw Qty: 4 Pcs Size: 25MM
- E - Screw (02 Pcs)
- F - Plug (02 Pcs)

NOT INCLUDED



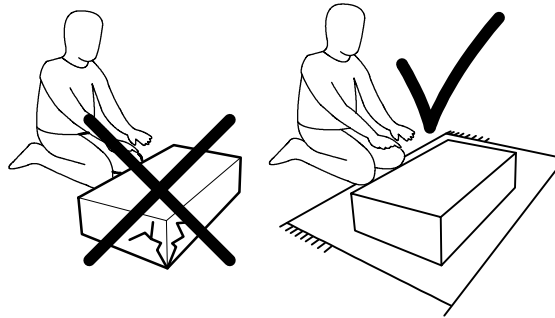
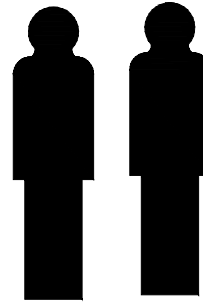
1X



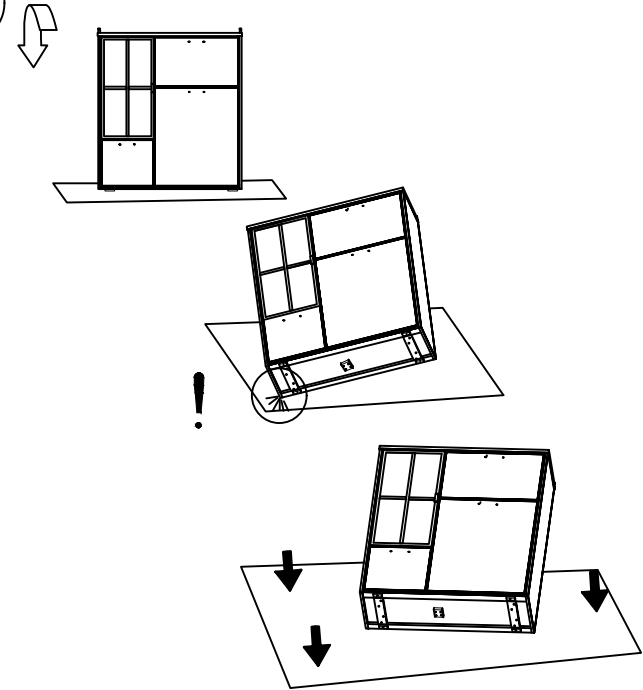
1X



2X

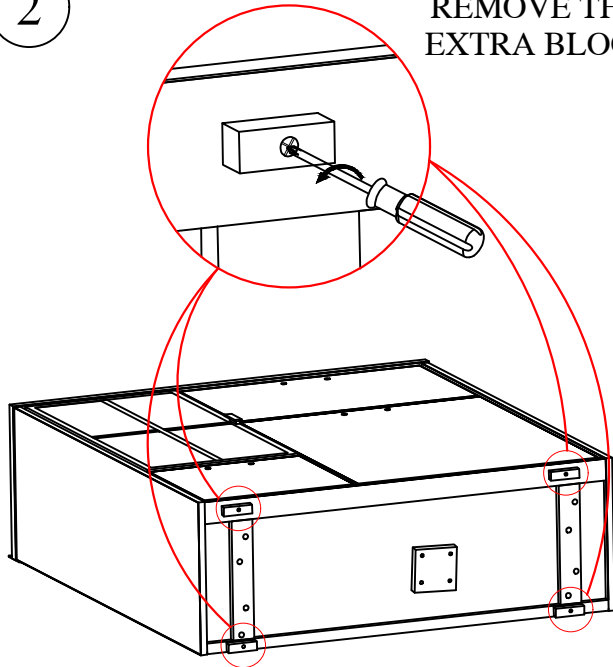


1

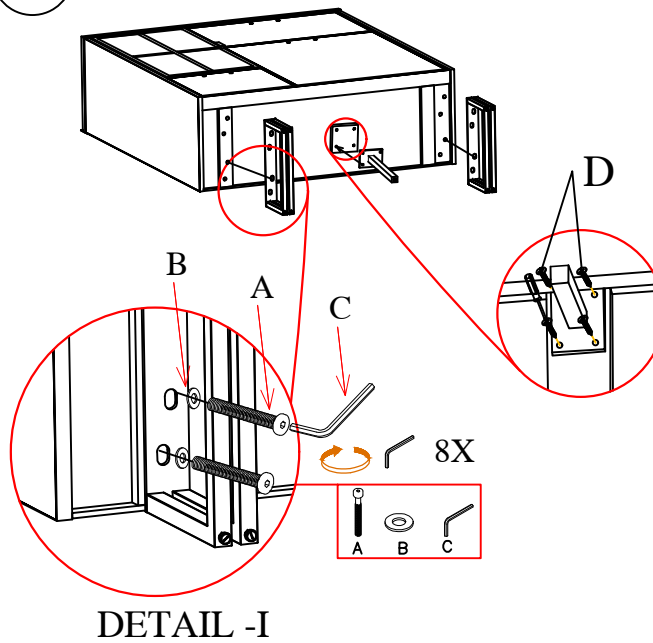


2

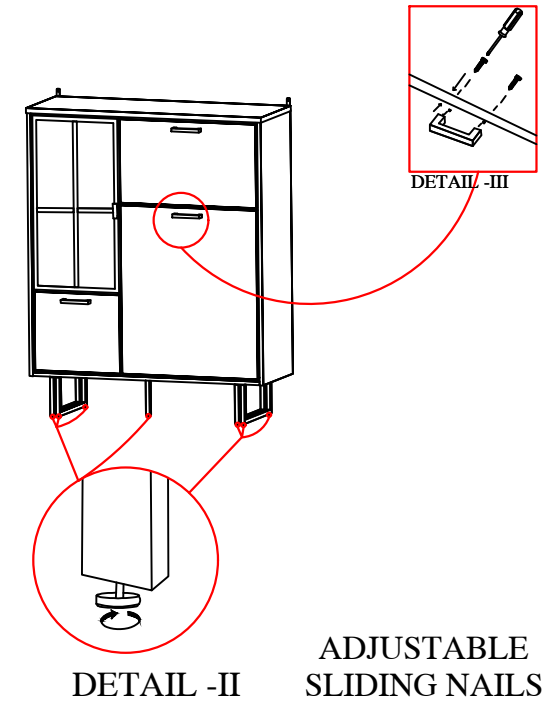
REMOVE THIS EXTRA BLOCK



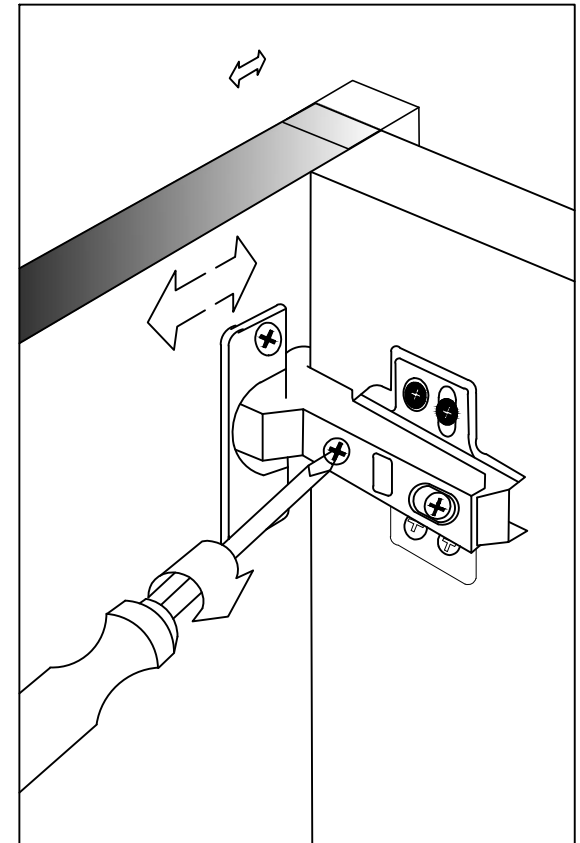
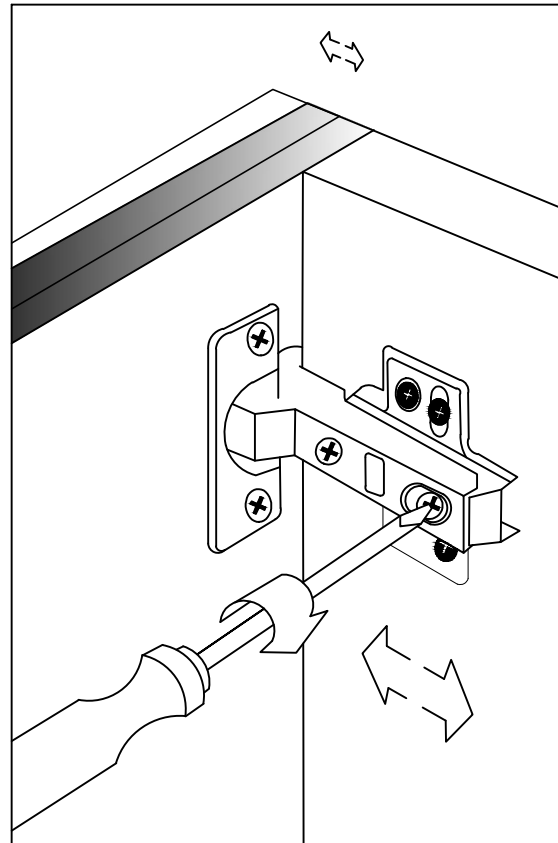
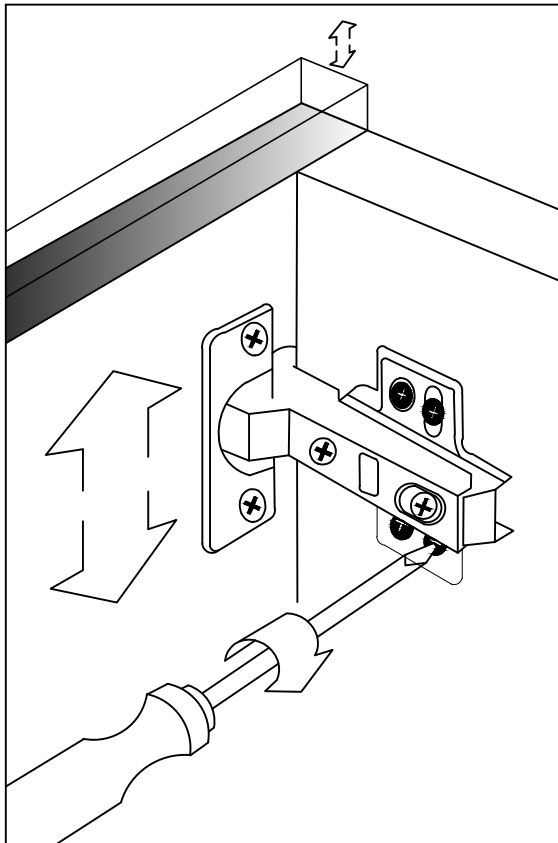
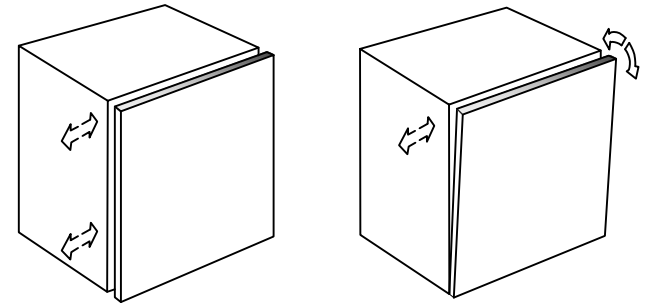
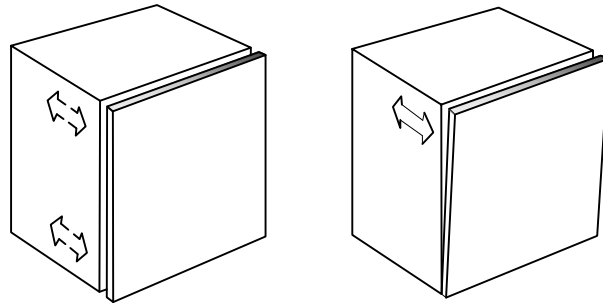
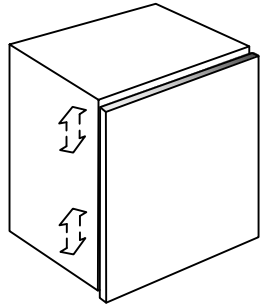
3



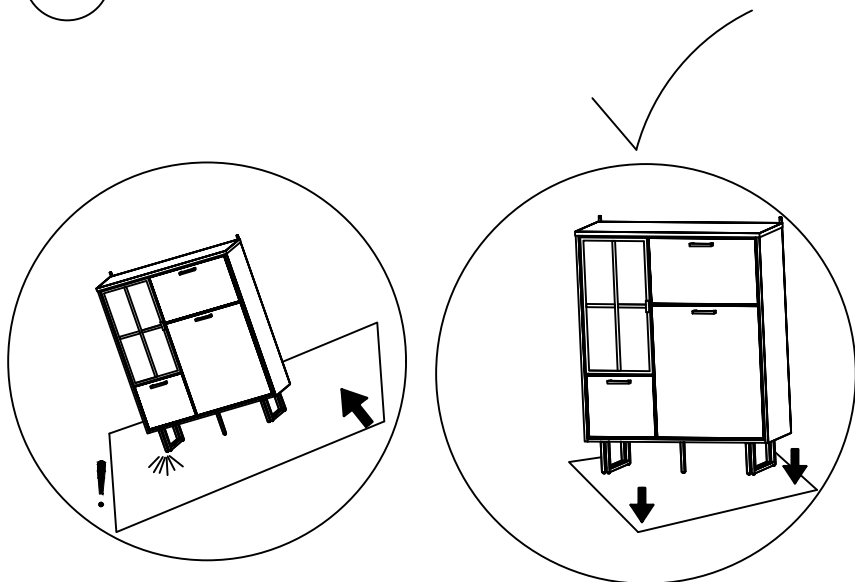
4



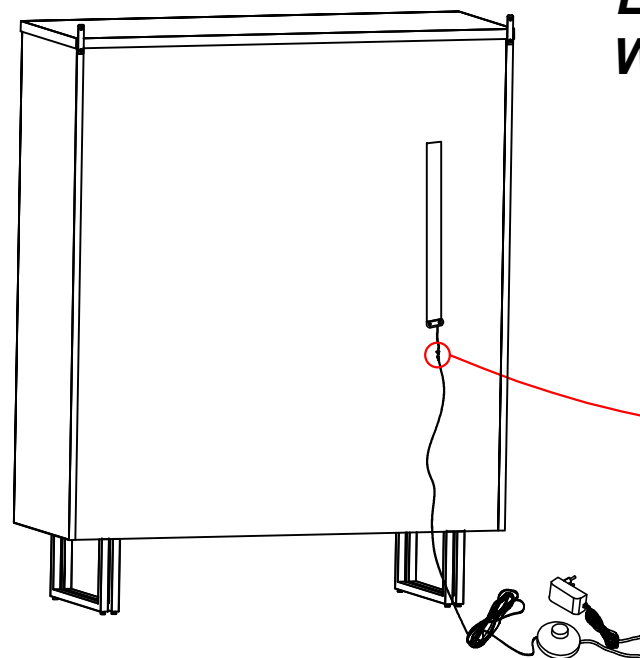
5 HINGE ADJUSTMENT INSTRUCTION



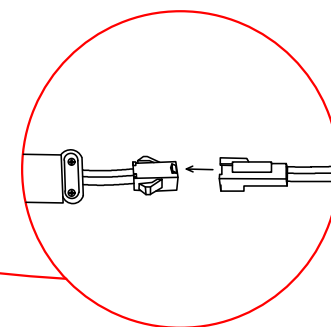
6



7



**LED ADAPTOR
WITH FOOT SWITCH**



DETAIL -IV

8

F: Veuillez à acheter les vis et chevilles correspondant à votre type de mur.

D: Kaufen Sie bitte richtige Dübel für Ihre Wand und dazu passende Schrauben.

GB: Buy correct screw and plug which is ok for type of wall

NL: Koop juiste Schroef en plug die geschikt is voor de betreffende muur

