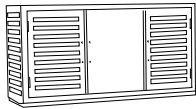
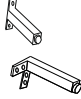
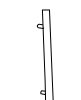



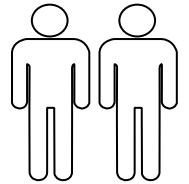
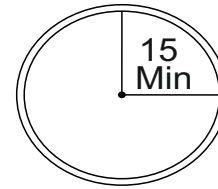

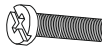




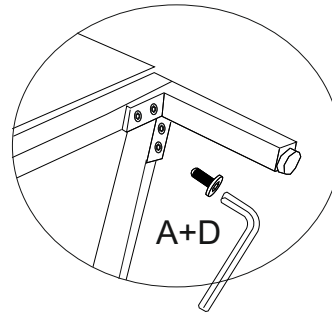
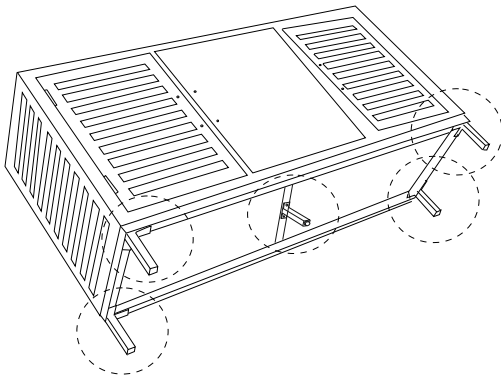
-  x1
-  x1
-  x4
-  x3
-  x2
-  x10

Art. No.71518-L

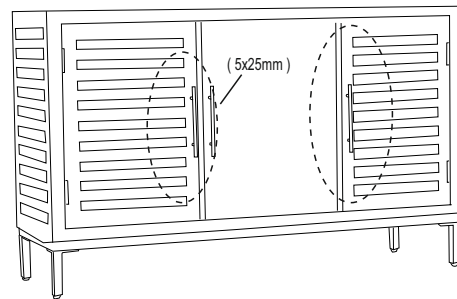
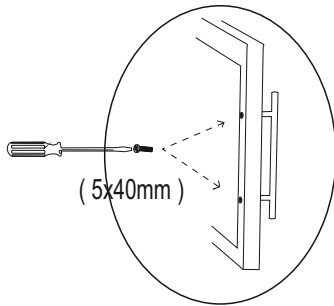


- | A | B | C | D |
|-------------------------------------------------------------------------------------|-------------------------------------------------------------------------------------|-------------------------------------------------------------------------------------|-------------------------------------------------------------------------------------|
|  |  |  |  |
| (6x12mm)
(18 Pcs.) | (5x40mm)
(04 Pcs.) | (5x25mm)
(02 Pcs.) | (4mm)
(1Pcs.) |

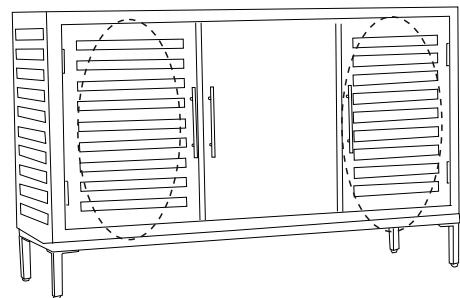
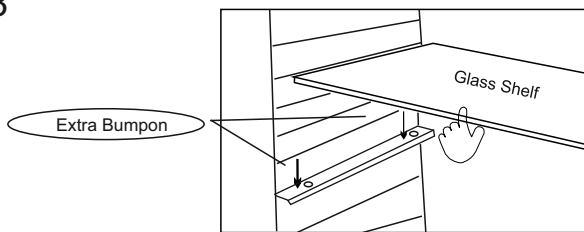
Step:-1



Step:-2



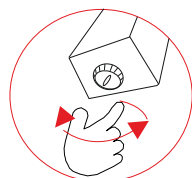
Step:-3



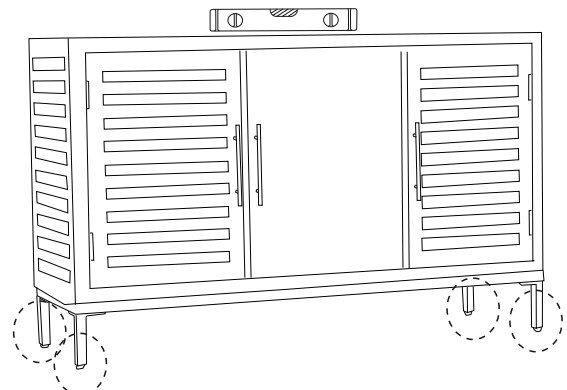
Leveler



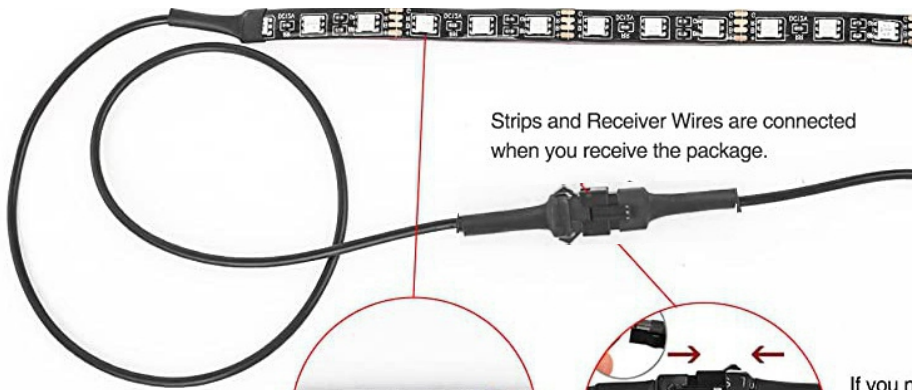
Assembled Product



**ADJUSTABLE
SLIDING NAILS**



Step:-4



Strips and Receiver Wires are connected when you receive the package.



If you need to unplug the connection, please notice to keep pressing down the highlighted part and then unplug.



If you need to unplug the connection, please notice to keep pressing down the highlighted part and then unplug.

