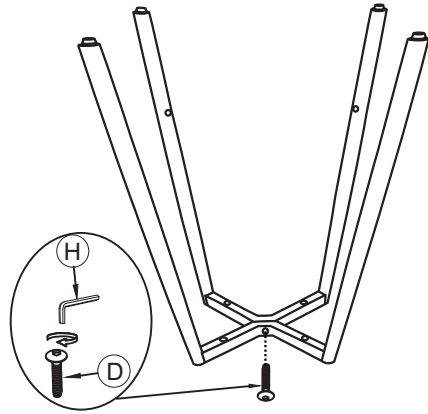
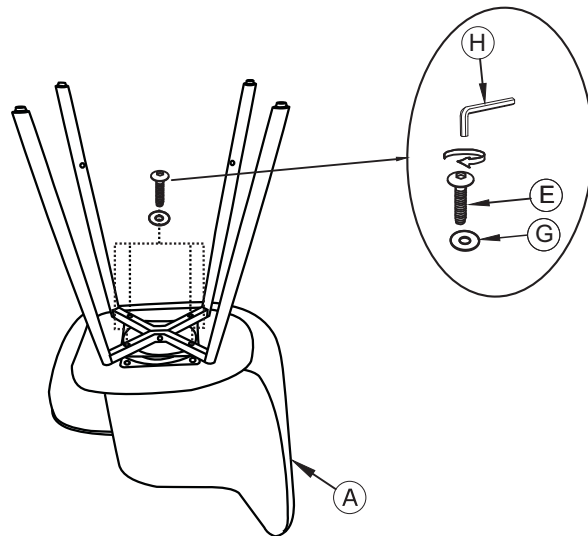


# EVA ARM BAR CHAIR

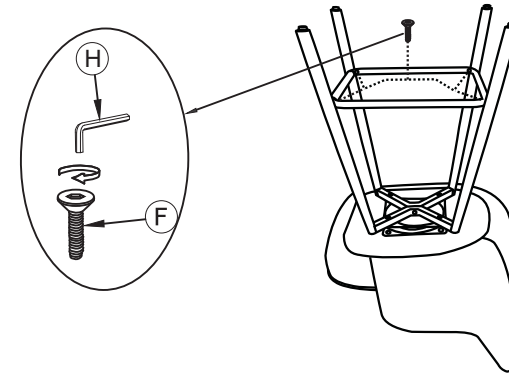
1 Step 1: Assemble both frame sides to each other, Tighten bolt D at 80% only



2 Step 2: Fix frame to the turning disk underneath the seat. Tighten bolts E at 80% only



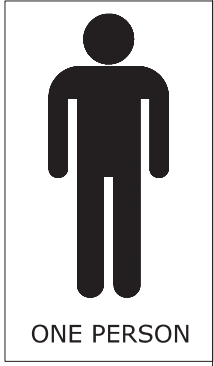
3 Step 3: Assemble footrest frame between the frame legs. Tighten bolts F first at 80% only. When all parts are assembled all screws can be tightened 100%



4 The feet can be adjusted in height



IF NECESSARY,  
ADJUST THE  
FEET IN HEIGHT




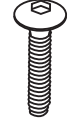






FR

**Pensez à donner ou recycler.**

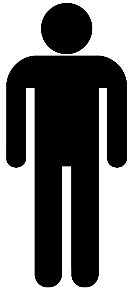
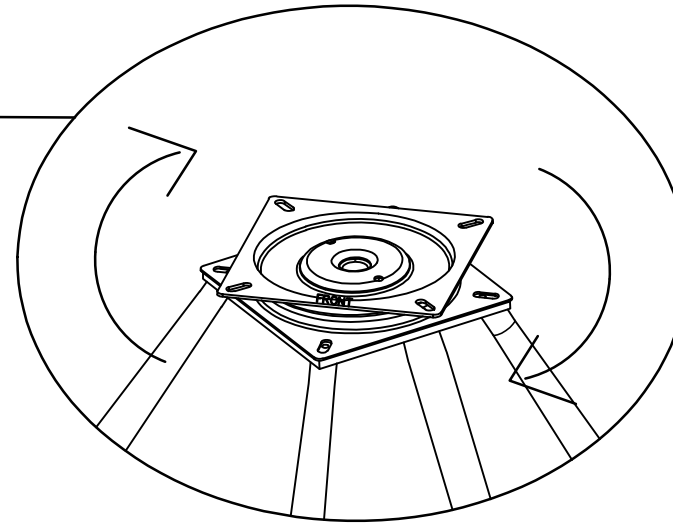
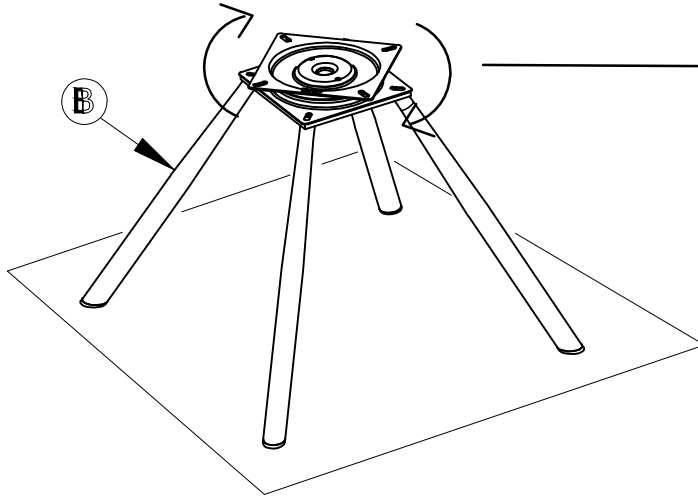
Association  ou Magasin  ou Déchèterie 

<https://quefairedemesdechets.fr>

NO:	A	B	C	D	E	F	G	H
FITTINGS:								
	SEAT	LEG	LEG CROSS TUBES	PAN HEAD BOLTS M6X40MM	PAN HEAD BOLTS M6X30MM	PAN HEAD BOLTS M6X25MM	M6X17X1.2MM	5MM
QTY:	1	2	1	1	4	4	4	1

1

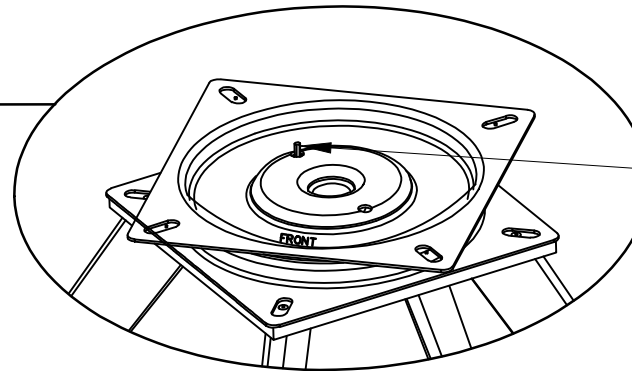
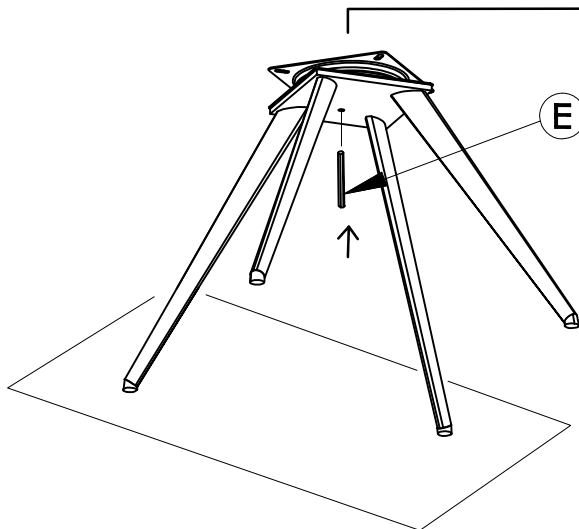
Put the frame on a flat surface.  
Turn the upper disk part to the right by 45° so that small hole in the square plate (at bottom side of the frame) is aligned with the hole in the turning disk.




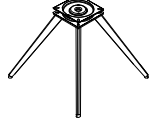
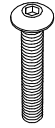


ONE PERSON

2

Insert the supplied Pin-key into the hole to hold the disk on the 45° turned position.

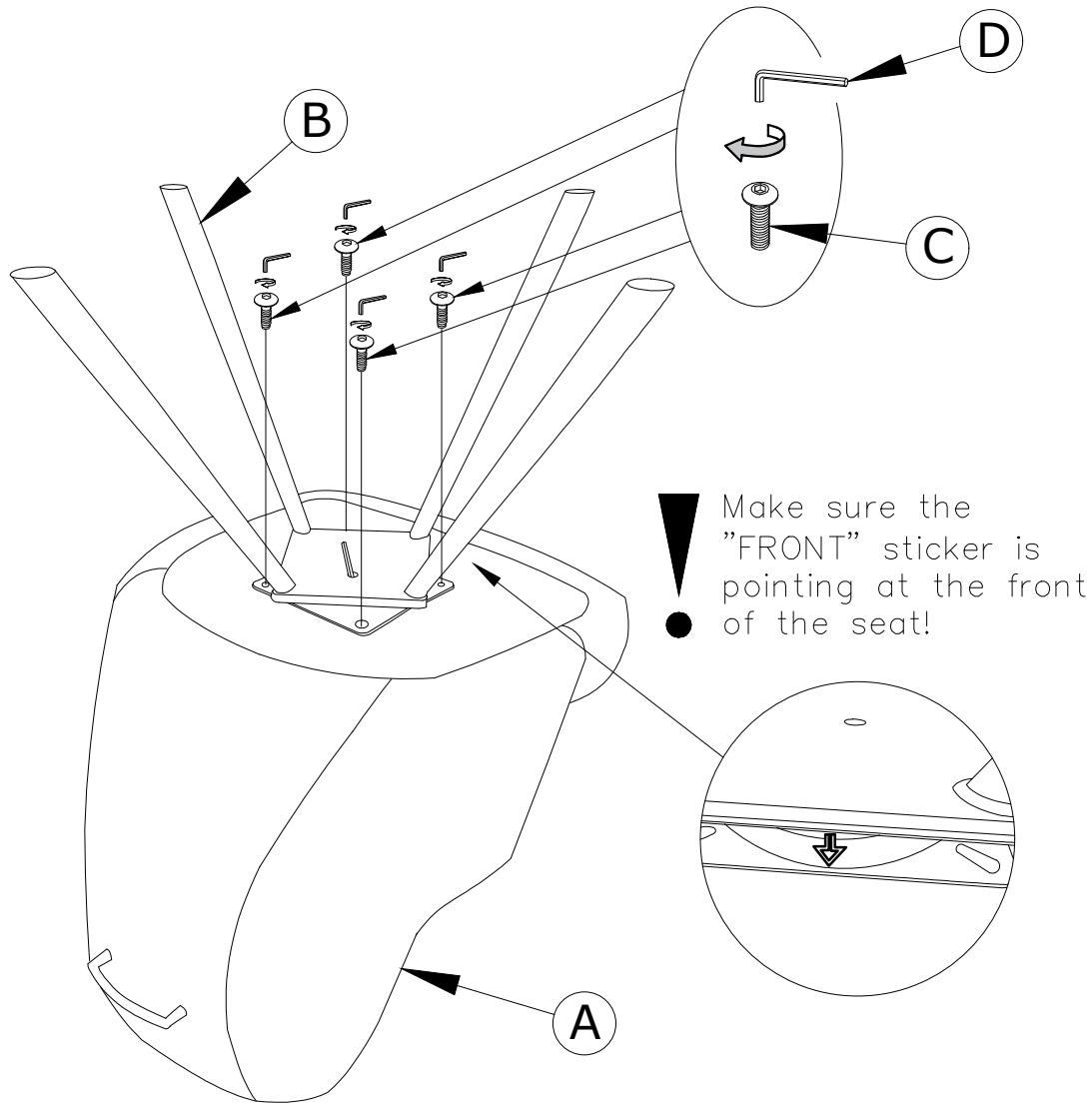


**PIN-key need to come just slightly through.**

NO:	A	B	C	D	E
FITTINGS:					
	SEAT	FRAME	PAN HEAD BOLT M6X18MM	K-key	PIN-key
QTY:	1	1	4	1	1

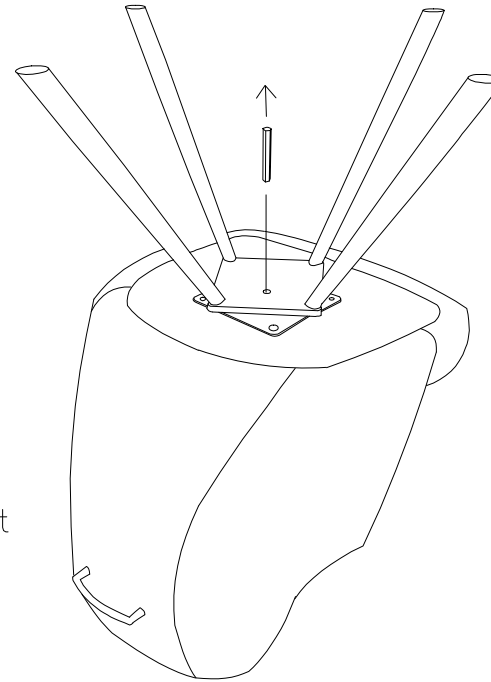
3

Assemble the frame to the seat.  
Make sure the "FRONT" sticker is pointing at the front of the seat!



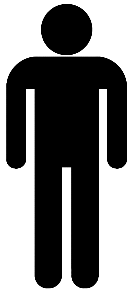
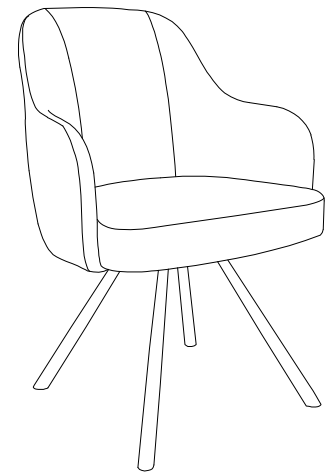
4

Turn the frame slightly and remove the PIN-key.


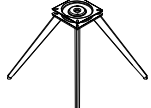
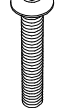




5

Chair is finished.



ONE PERSON

NO:	A	B	C	D	E
FITTINGS:					
	SEAT	FRAME	PAN HEAD BOLT M6X18MM	K-key	PIN-key
QTY:	1	1	4	1	1



FR

Pensez à  
donner ou recycler.



Association

ou



Magasin



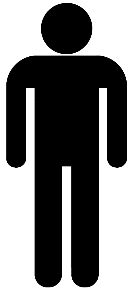
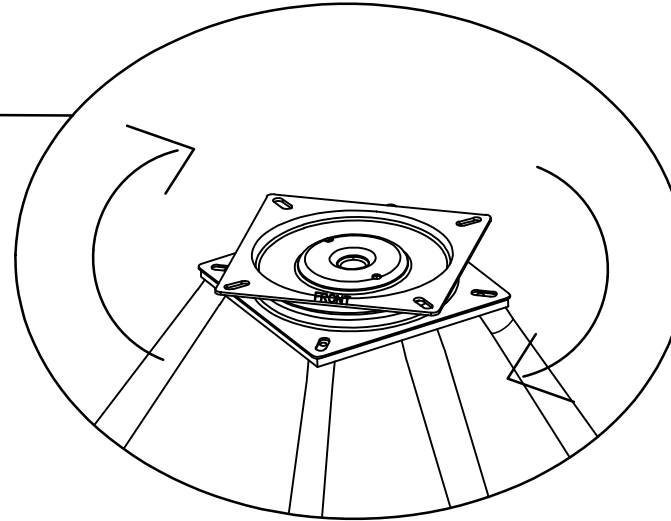
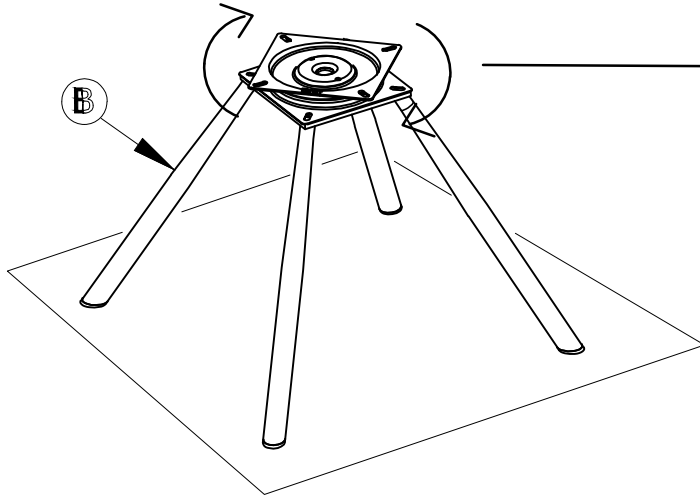
Déchèterie

<https://quefairedemesdechets.fr>

1

Put the frame on a flat surface.

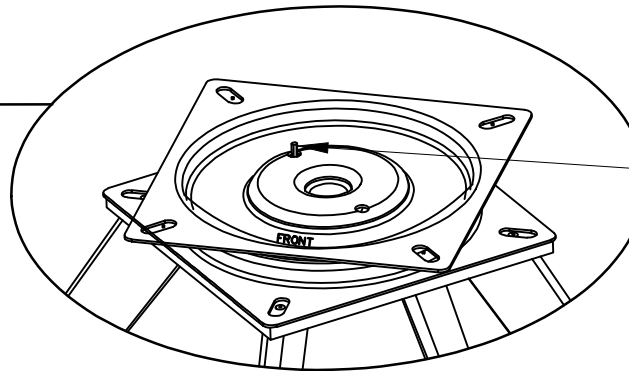
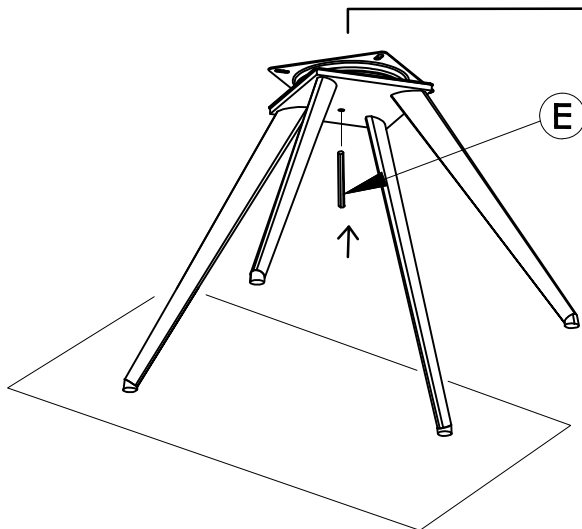
Turn the upper disk part to the right by 45° so that small hole in the square plate (at bottom side of the frame) is aligned with the hole in the turning disk.




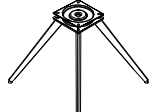
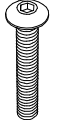


ONE PERSON

2

Insert the supplied Pin-key into the hole to hold the disk on the 45° turned position.

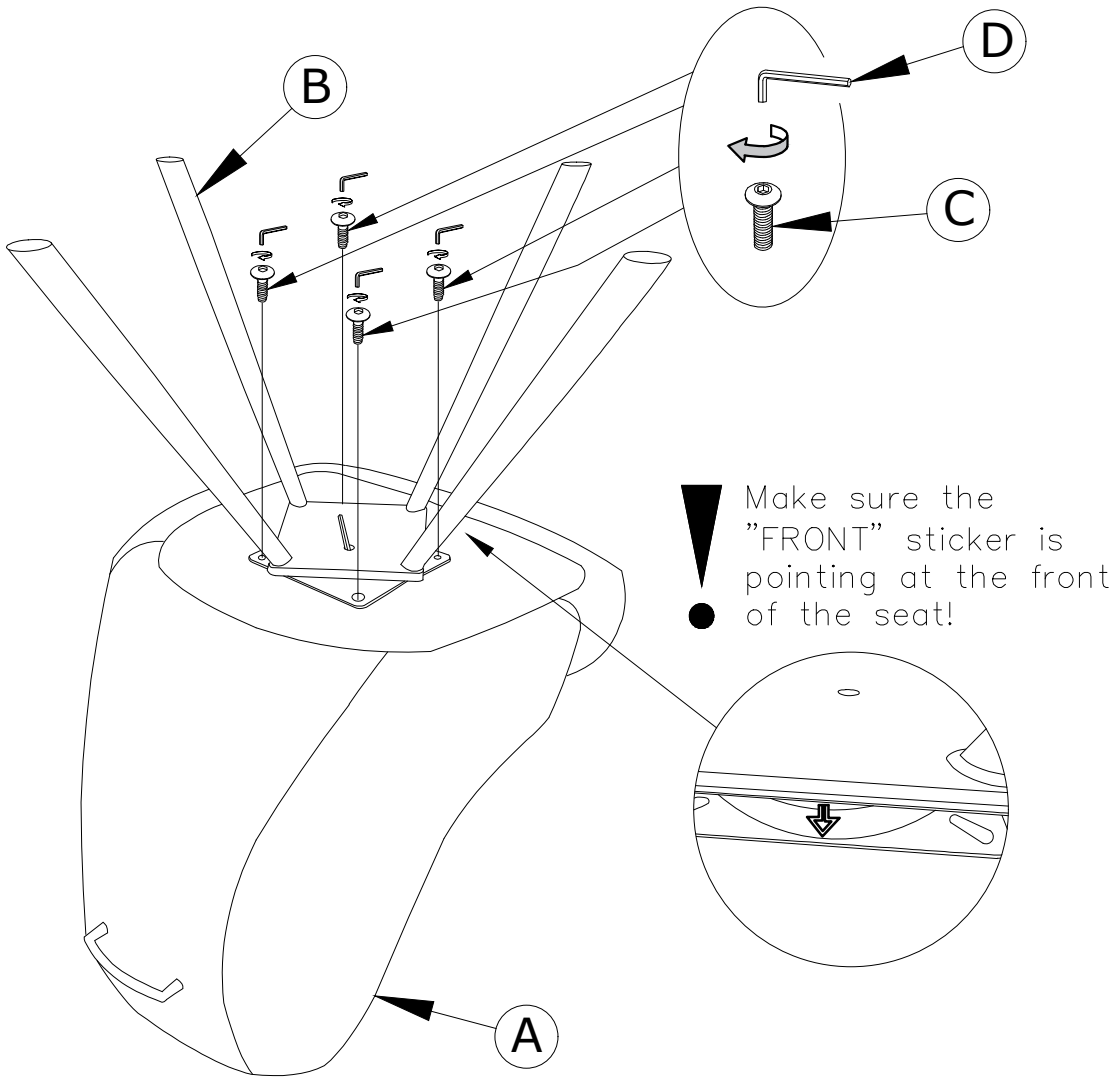


**PIN-key need to come just slightly through.**

NO:	A	B	C	D	E
FITTINGS:					
	SEAT	FRAME	PAN HEAD BOLT M6X18MM	K-key	PIN-key
QTY:	1	1	4	1	1

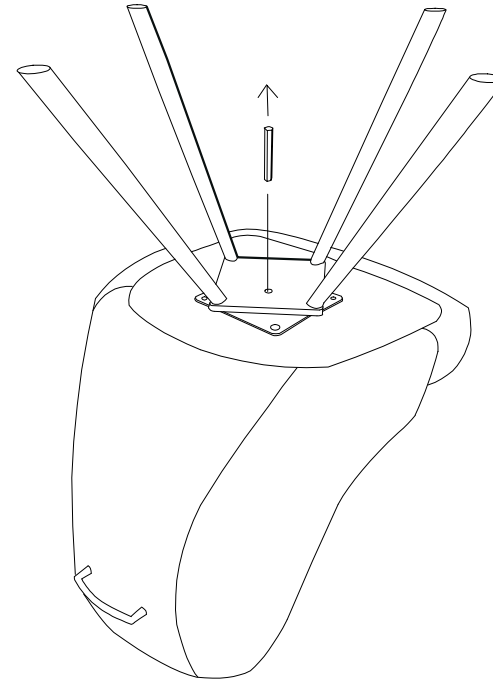
3

Assemble the frame to the seat.



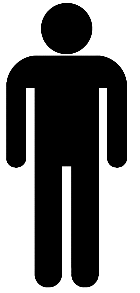
4

Turn the frame slightly and remove the PIN-key.



5

Chair is finished.



ONE PERSON



FR

Pensez à donner ou recycler.



Association

ou


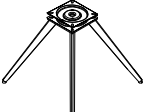
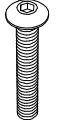




Magasin



Déchèterie

<https://quefairedemesdechets.fr>

NO:	A	B	C	D	E
FITTINGS:					
QTY:	1	1	4	1	1