

<b>Home Product Import GmbH</b> <b>Graf - Zeppelin - Str. 5</b> <b>D - 46149 Oberhausen</b> <b>Germany</b>	Tel.: +49-(0)208-9949330 Fax.: +49-(0)208-99493930 e-mail: info@h-p-i.de
---	--

<b>LEDs Removal Instructions for LED Luminaire</b> <b>LED 燈具的 LEDs 拆卸說明 / LED 燈具的 LEDs 拆卸說明</b>
--

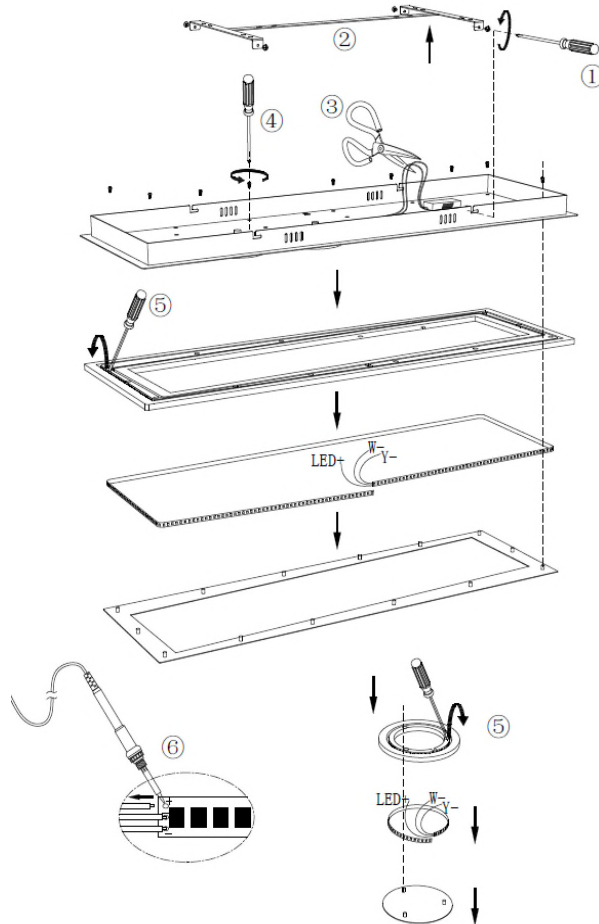
HPI Article Nr. (HPI 产品编号):	<a href="#">180,005017</a>	Date (日期):	<a href="#">Dienstag, 16. Januar 2024</a>
HPI Model Name (HPI 型号名称):	<a href="#">MONDO STAIRS II</a>	Revision Date (修订日期):	<a href="#">Dienstag, 16. Januar 2024</a>
Vendor Name (供应商名称):		Version Nr. (版本号):	1
Vendor Item Nr. (供应商产品编号):	<a href="#">MXC2056</a>		

Procedure how to remove the LEDs from the luminaire (in text form):  
 如何從燈具中移除 LED 的程序（以文本形式） / 如何从灯具中移除 LED 的程序（以文本形式）：

Step 1 步驟/步骤 1	<a href="#">Loosen 4 screws at canopy</a>
Step 2 步驟/步骤 2	<a href="#">Take out the wall mount bracket</a>
Step 3 步驟/步骤 3	<a href="#">Cut the wiring of the driver and take out the driver</a>
Step 4 步驟/步骤 4	<a href="#">remove the screws from the lamp body, and take away the metal sheet from the acrylic</a>
Step 5 步驟/步骤 5	<a href="#">use a screwdriver and place it at the corner of the frame and pry the LED strip out</a>
Step 6 步驟/步骤 6	<a href="#">Press the connector to release the LED wiring</a>
Step 7 步驟/步骤 7	
Step 8 步驟/步骤 8	
Step 9 步驟/步骤 9	
Step 10 步驟/步骤 10	

Drawings of how to remove the LEDs from the luminaire (without damaging the luminaire itself) corresponding to the above steps.

與上述步驟對應的如何從燈具中移除 LED（不損壞燈具本身）的圖示  
 与上述步骤对应的如何从灯具中移除 LED（不损坏灯具本身）的图示



Prepared By (准备个人姓名) :	Olivia Liang
Jon Title (职称) :	Sales respensentative
Company Name (公司名称) :	

Signature with Company Chop  
 (负责人签字加公司印章) :