

Home Product Import GmbH Graf - Zeppelin - Str. 5 D - 46149 Oberhausen Germany	Tel. : +49-(0)208-9949330 Fax.: +49-(0)208-99493930 e-mail: info@h-p-i.de
---	---

LEDs Removal Instructions for LED Luminaire LED 燈具的 LEDs 拆卸說明 / LED 燈具的 LEDs 拆卸說明
--

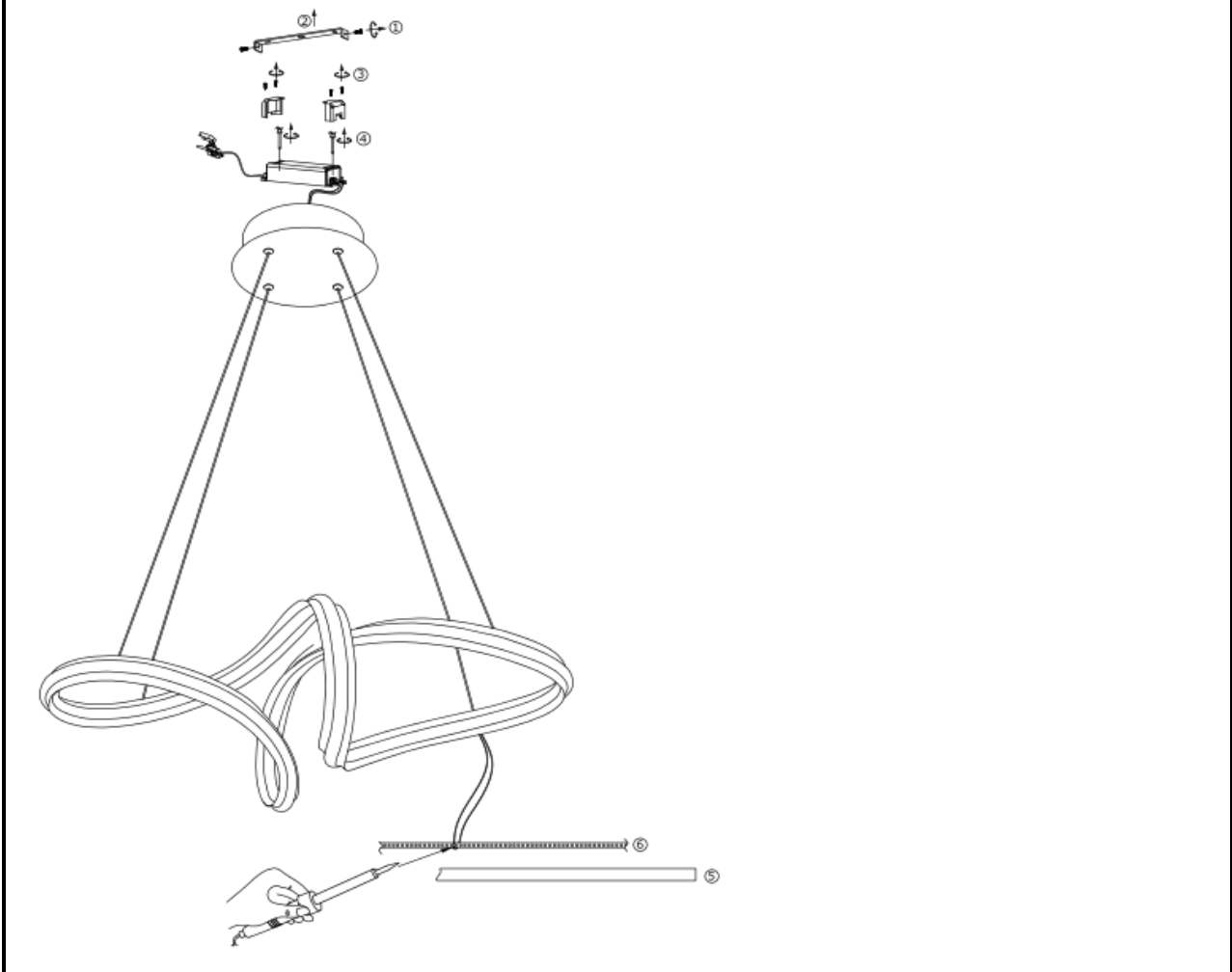
HPI Article Nr. (HPI 产品编号):	180.004978	Date (日期):	Montag, 18. Dezember 2023
HPI Model Name (HPI 型号名称):	Enni	Revision Date	-
Vendor Name (供应商名称):		(修订日期):	
Vendor Item Nr. (供应商产品编号):	MP56026-A	Version Nr. (版本号):	1

Procedure how to remove the LEDs from the luminaire (in text form):
 如何從燈具中移除 LED 的程序 (以文本形式) / 如何从灯具中移除 LED 的程序 (以文本形式) :

Step 1 步驟/步骤 1	Loosen 2 screws at canopy
Step 2 步驟/步骤 2	Take out the wall mount bracket
Step 3 步驟/步骤 3	Twist off the screws of drivers, take off the cover
Step 4 步驟/步骤 4	Take out of the wiring of the driver and take out the driver
Step 5 步驟/步骤 5	take out of the end-cap
Step 6 步驟/步骤 6	take out the Acrylic cover.
Step 7 步驟/步骤 7	Peel back the LED strip completely
Step 8 步驟/步骤 8	Press the connector to release the LED wiring
Step 9 步驟/步骤 9	
Step 10 步驟/步骤 10	

Drawings of how to remove the LEDs from the luminaire (without damaging the luminaire itself) corresponding to the above steps.

與上述步驟對應的如何從燈具中移除 LED（不損壞燈具本身）的圖示
与上述步骤对应的如何从灯具中移除 LED（不损坏灯具本身）的图示



Prepared By (准备个人姓名):	Lisha zhou
Jon Title (职称):	Sales manager
Company Name (公司名称):	

Signature with Company Chop
(负责人签字加公司印章):