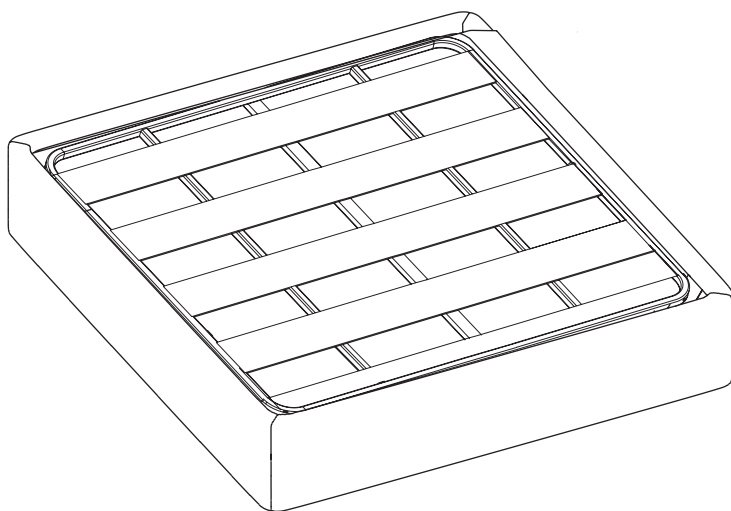
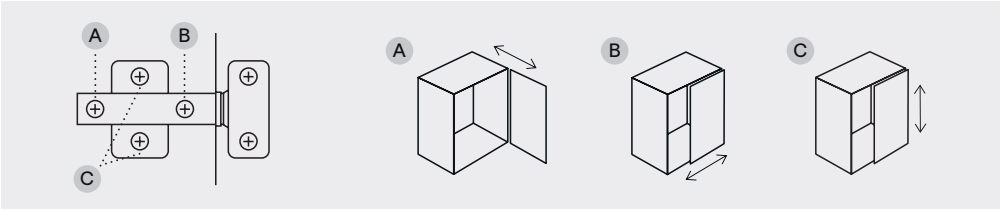
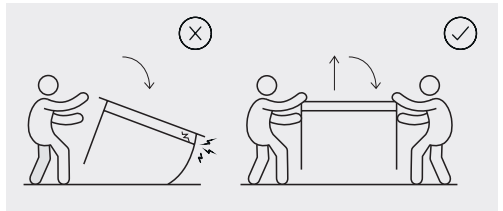
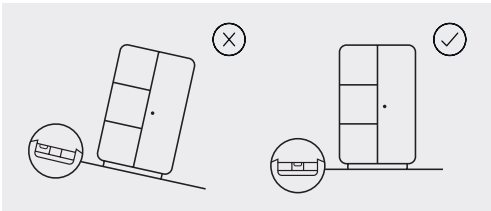
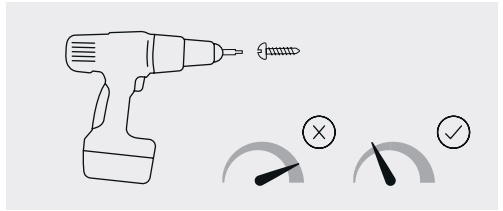
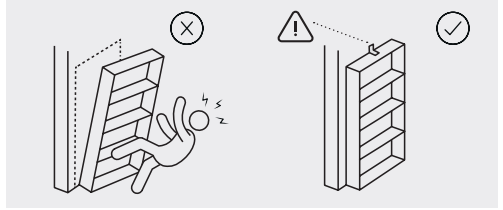
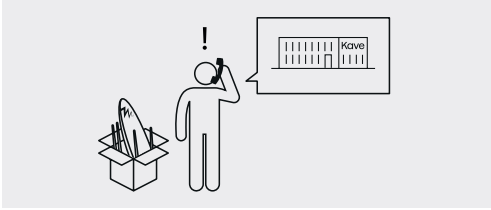
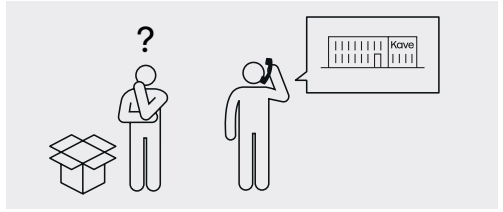
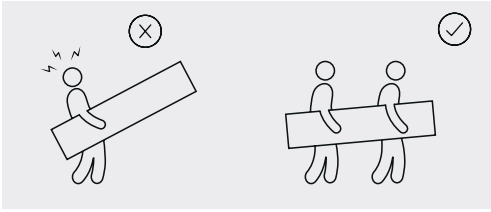


# Nelzi



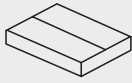
Kave

ED01





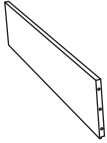
60 min



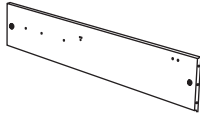
x2



x2



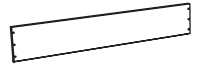
**A**x1



**B**x1



**C**x1



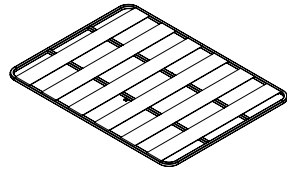
**D**x1



**E**x1



**F**x1



**G**x2



**H**x2



**I**x1



**J**x1



**K**x2



**L**x1



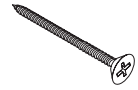
**M x8**  
ø8×35mm



**N x10**  
M8×20mm



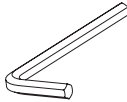
**O x8**  
M6×25mm



**P x16**  
ø3,5×30mm



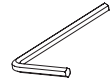
**Q x4**



**R x1**  
6mm



**S x1**  
5mm



**T x1**  
3mm



**U x4**  
M8



**V x4**



**W x6**  
M8



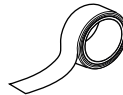
**X x6**



**Y x1**  
N°13



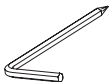
**Z x18**  
M4×30mm



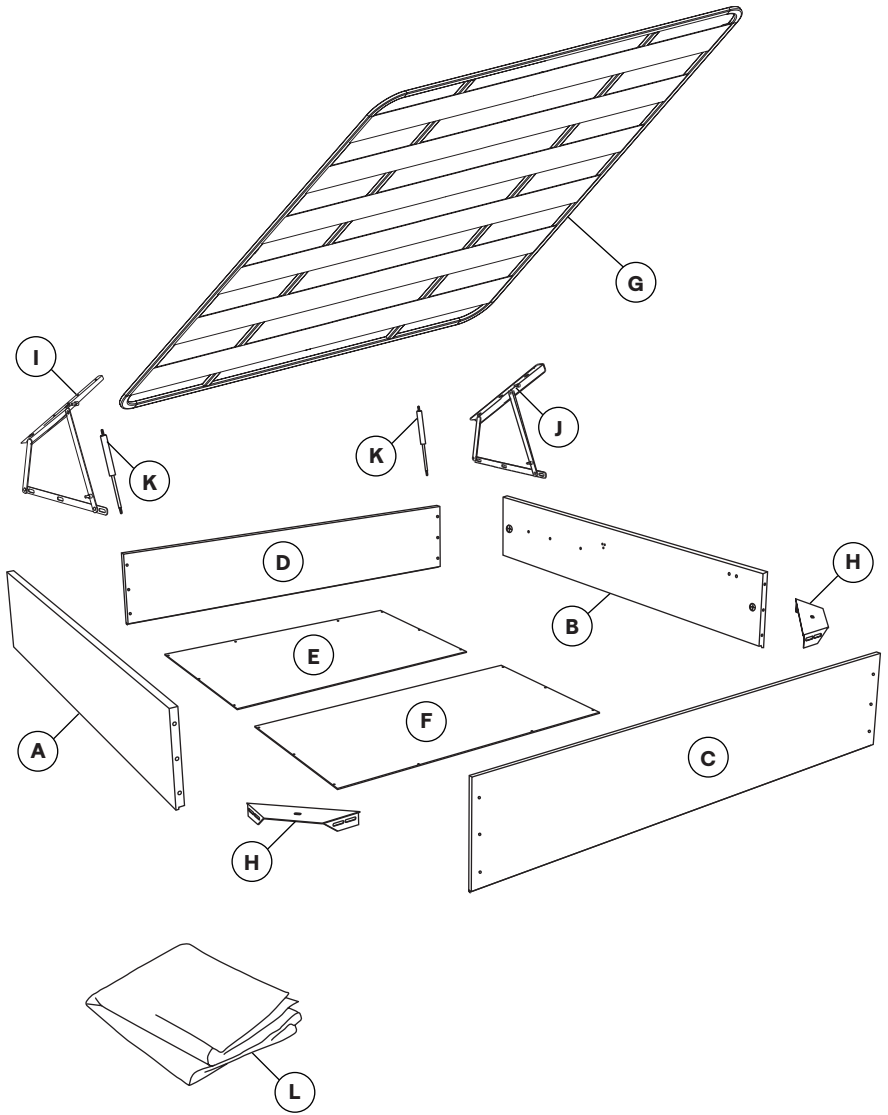
**AA x1**



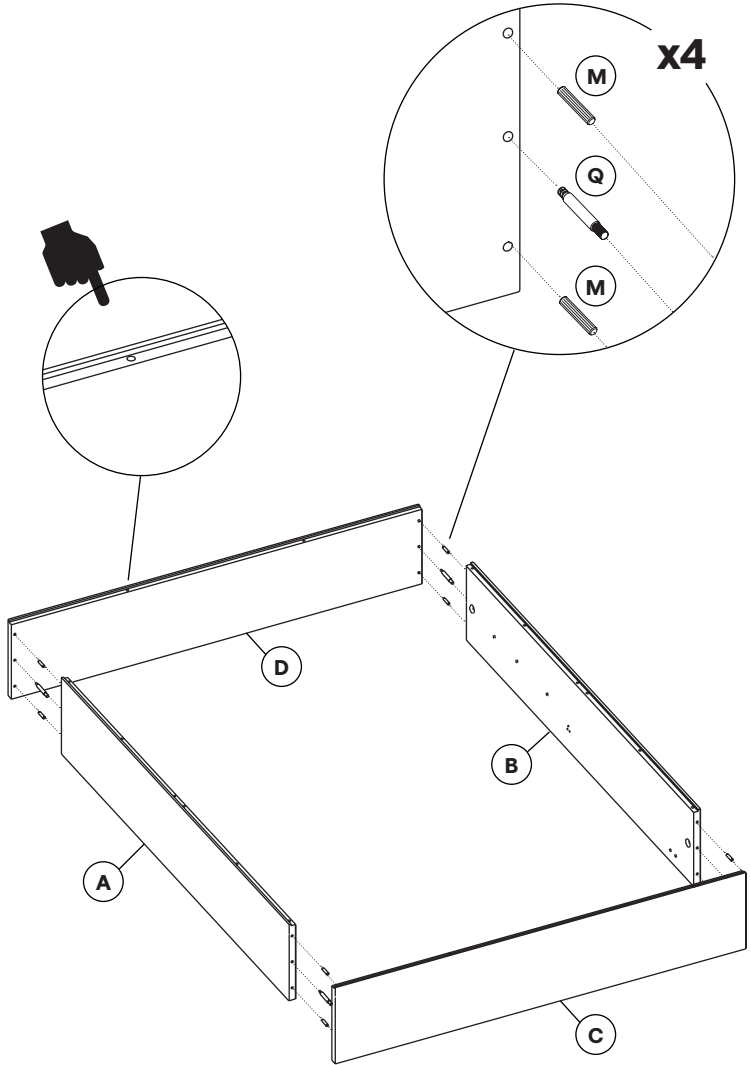
**AB x18**

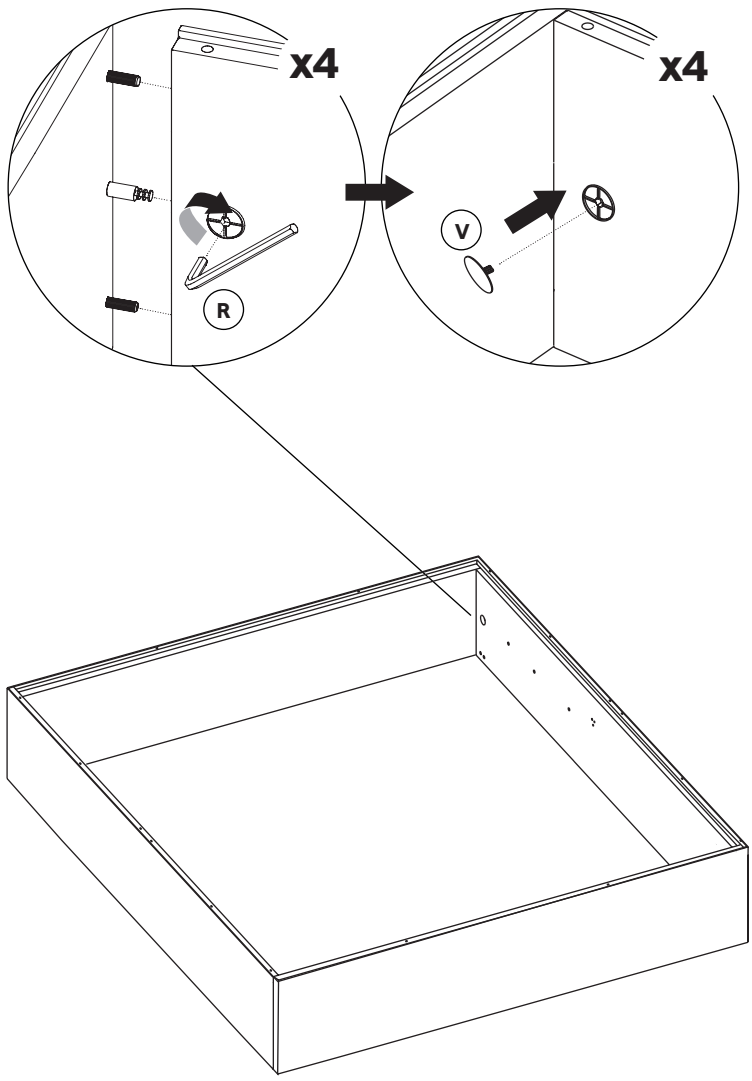


**AC x1**  
4mm

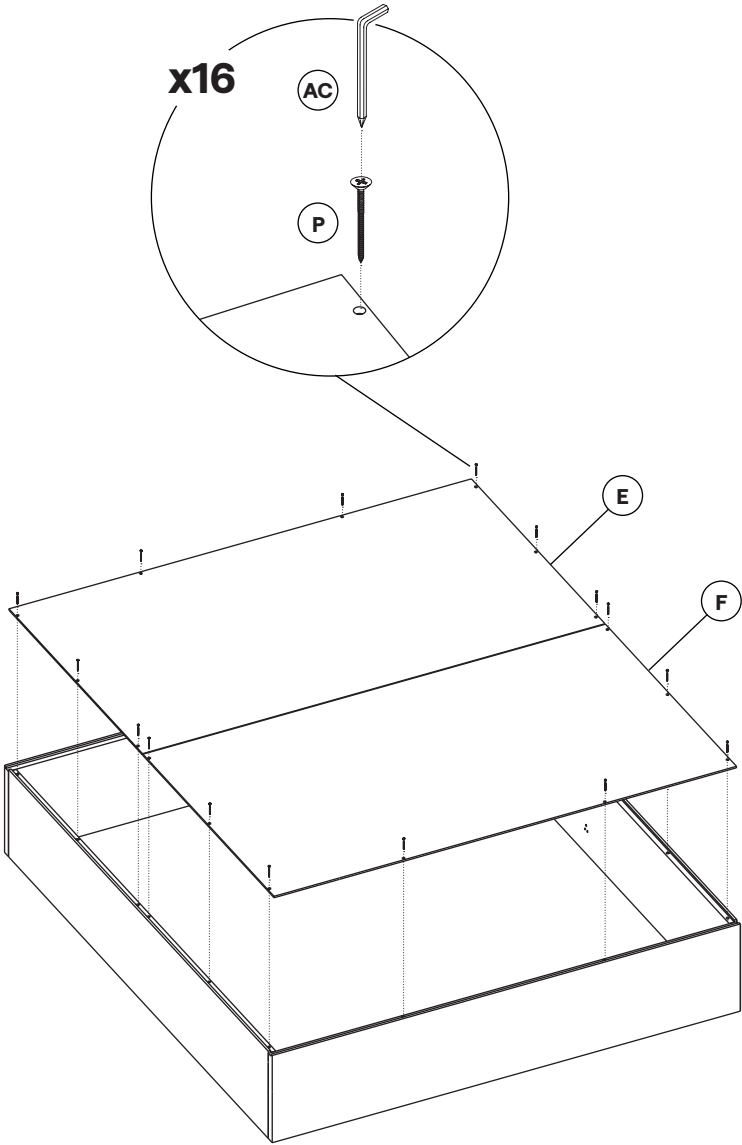


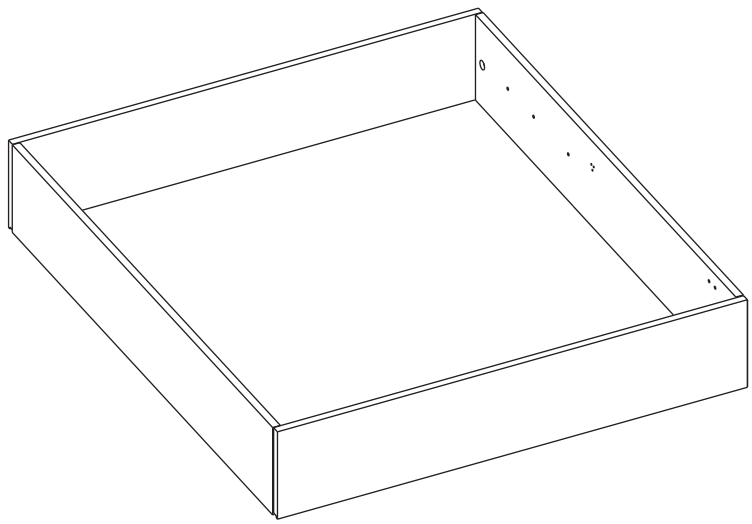
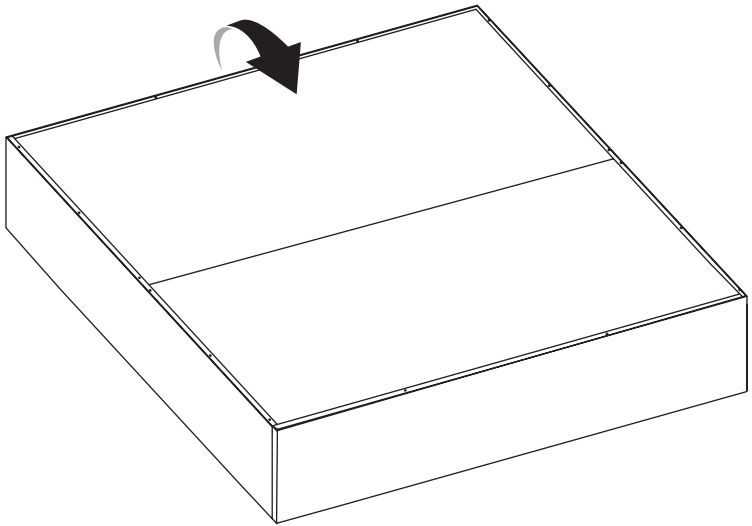
1



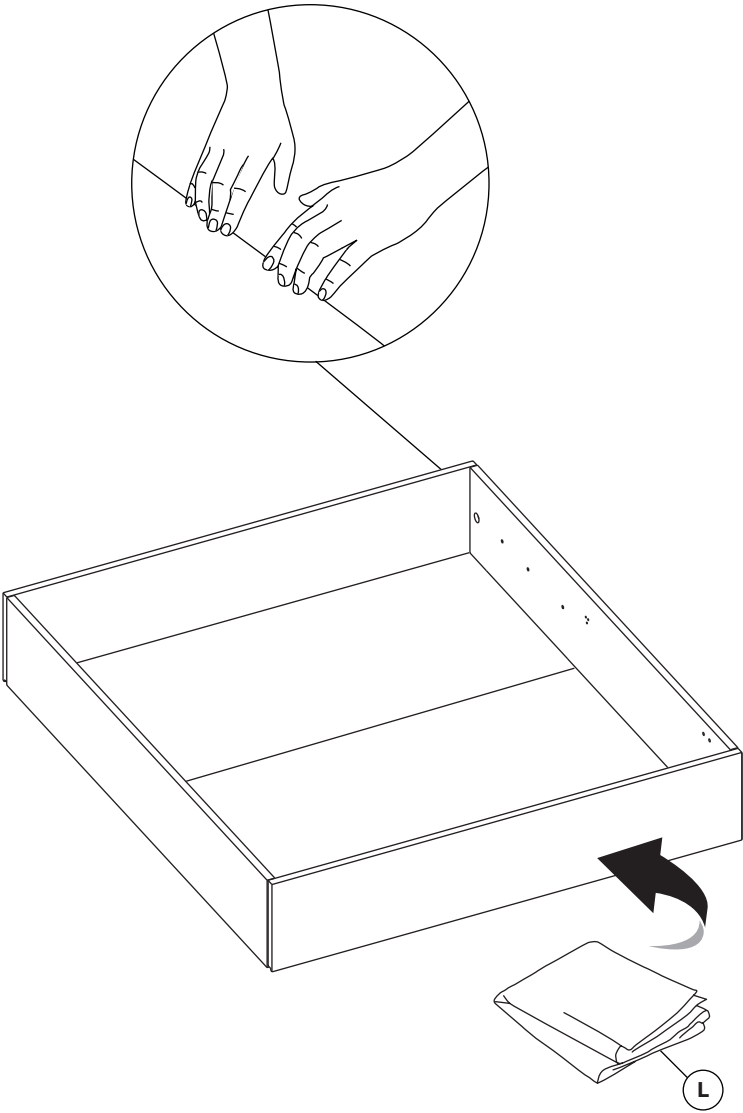


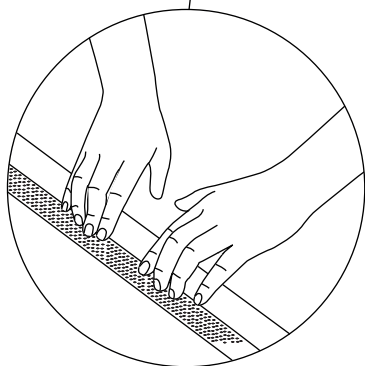
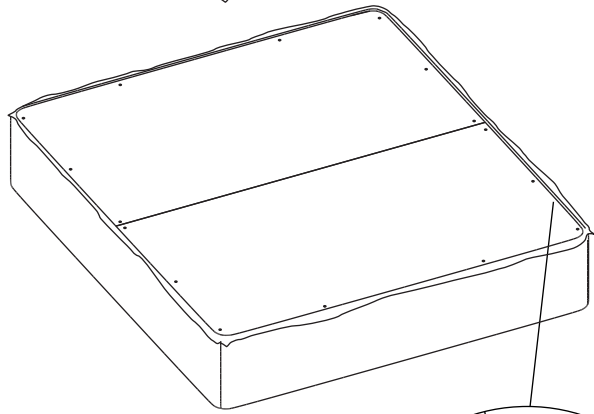
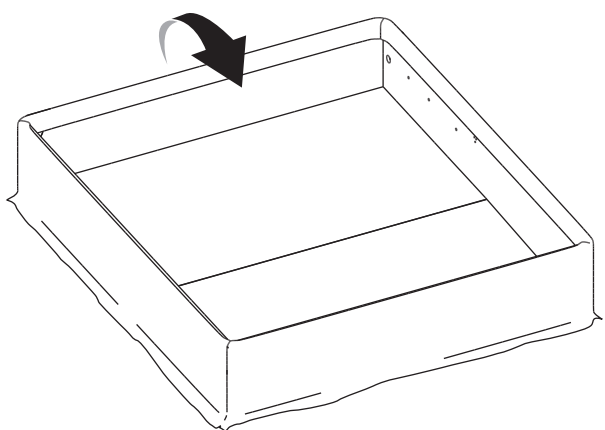
3



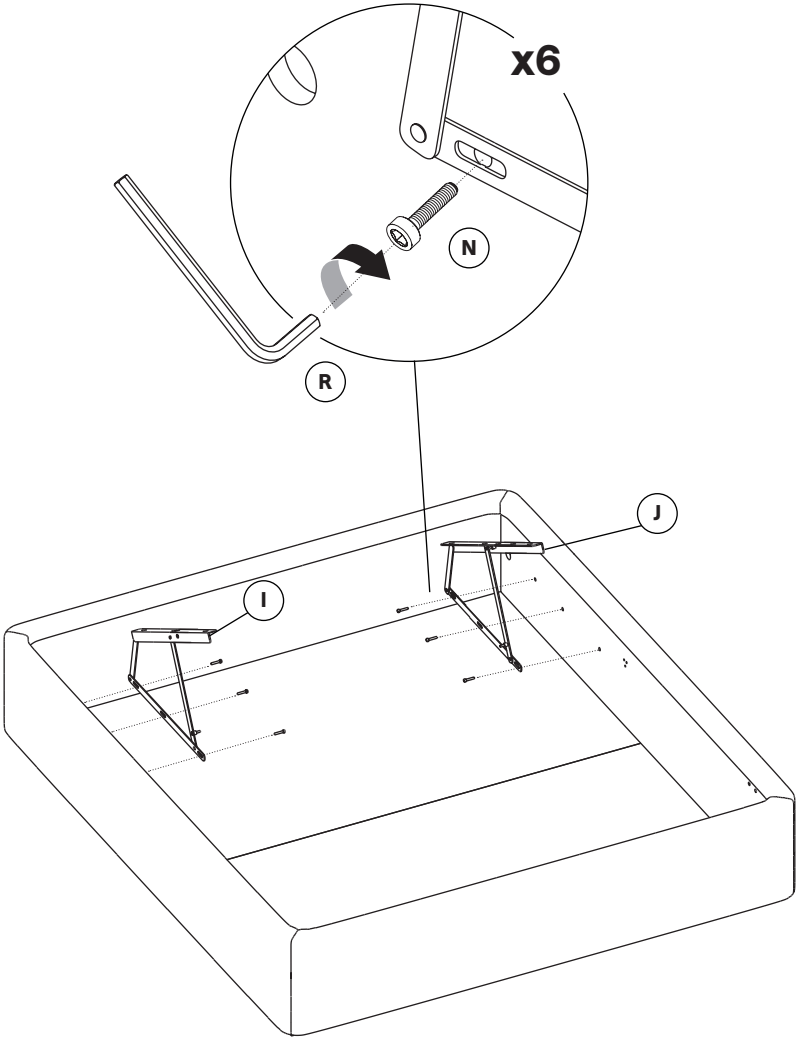


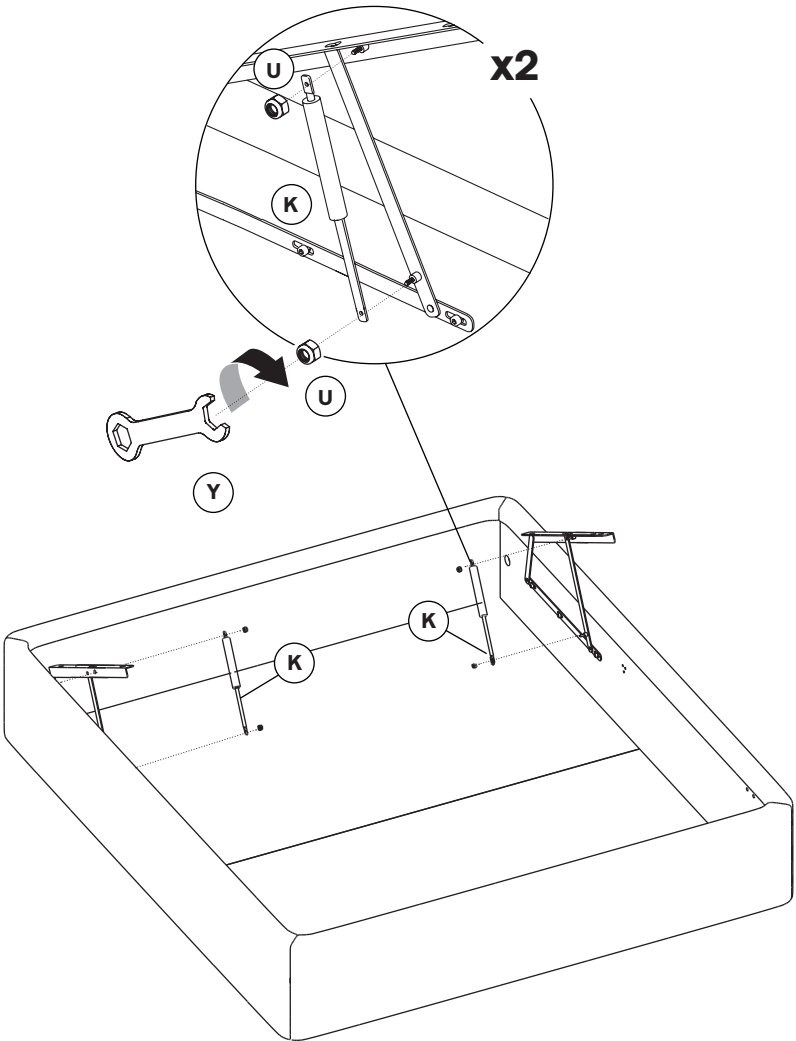
5

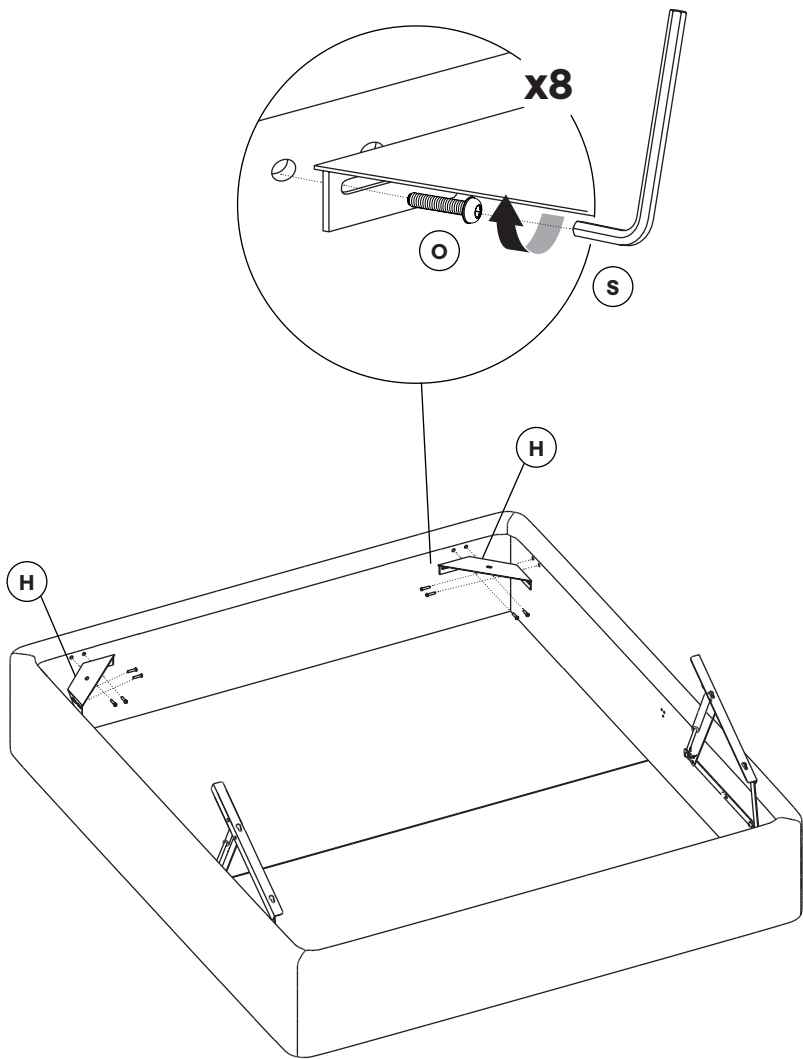


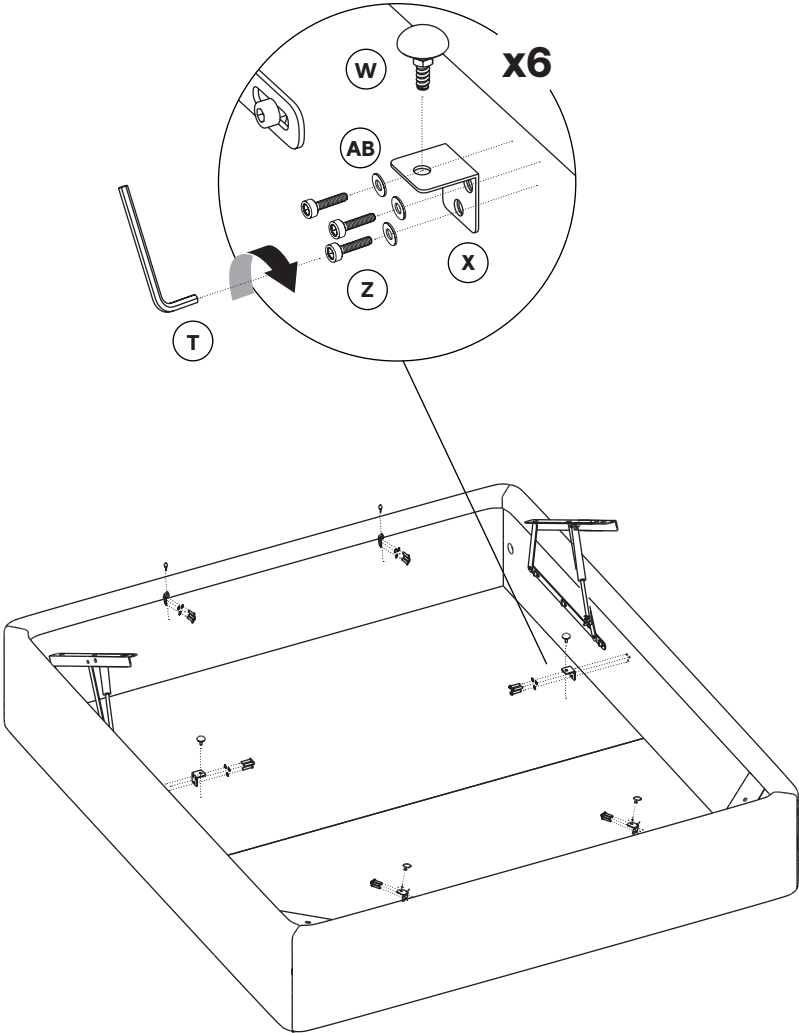


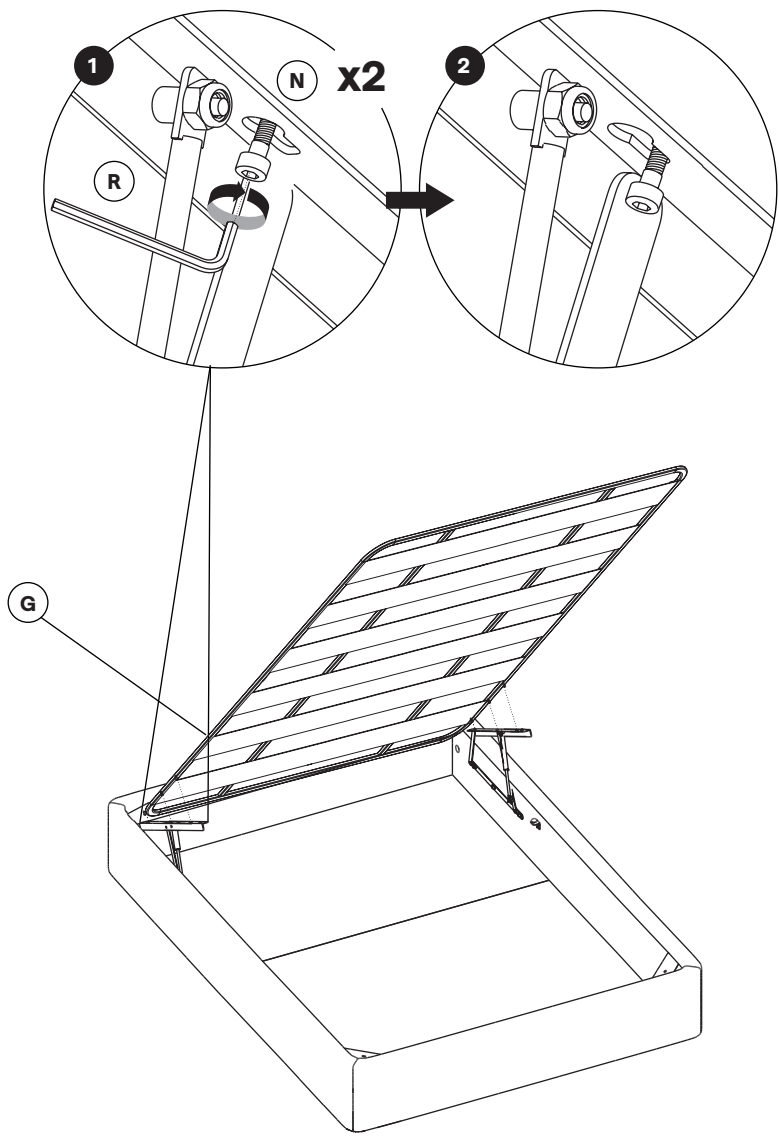
7

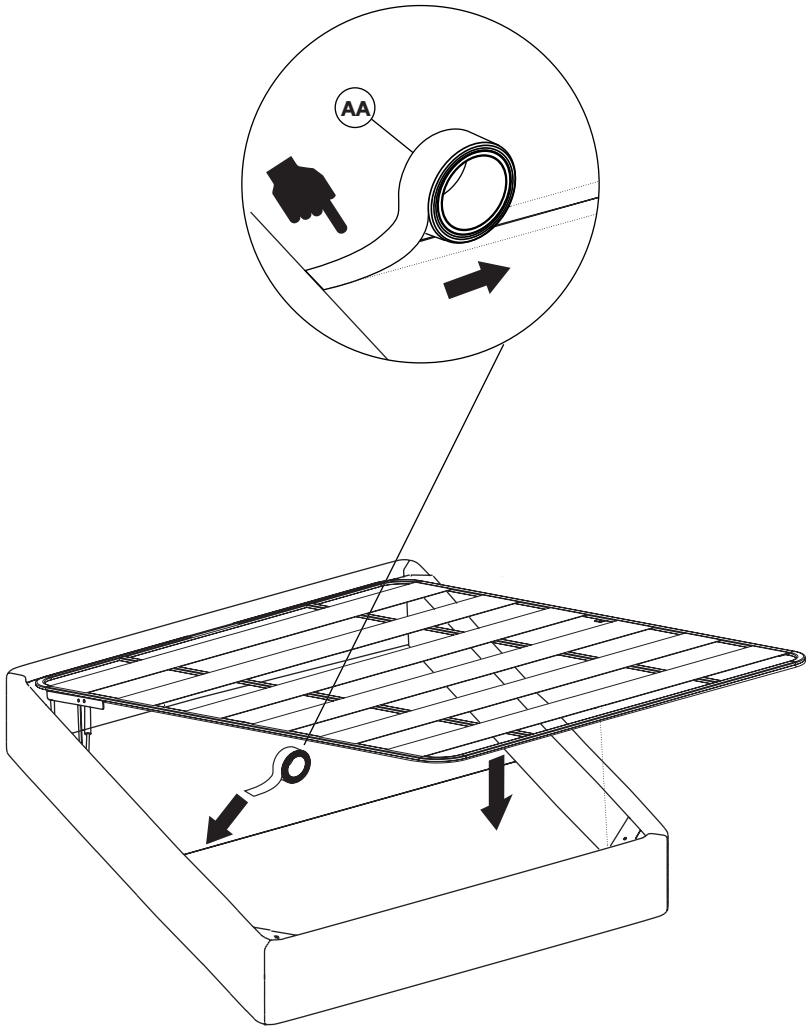


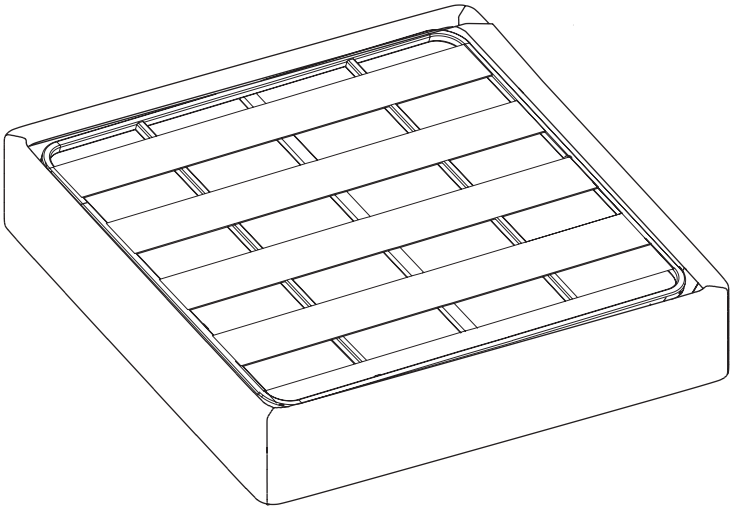














# Kave

**Julià Grup Furniture Solutions S.L.**

B-17616277

Pol. Ind. Bosc d'en Cuca  
C/ Tallers, 14. 17410 Sils, Spain  
contact@kavehome.com



IT: PAP 22, Carta.  
Verifica le disposizioni del tuo comune.