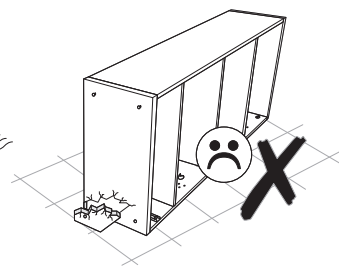
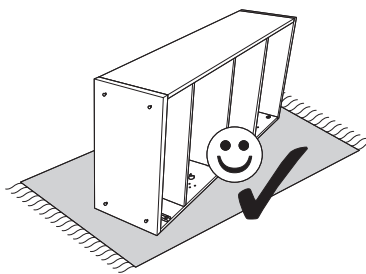
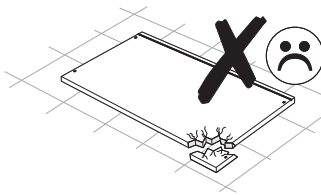
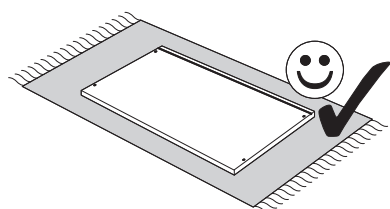
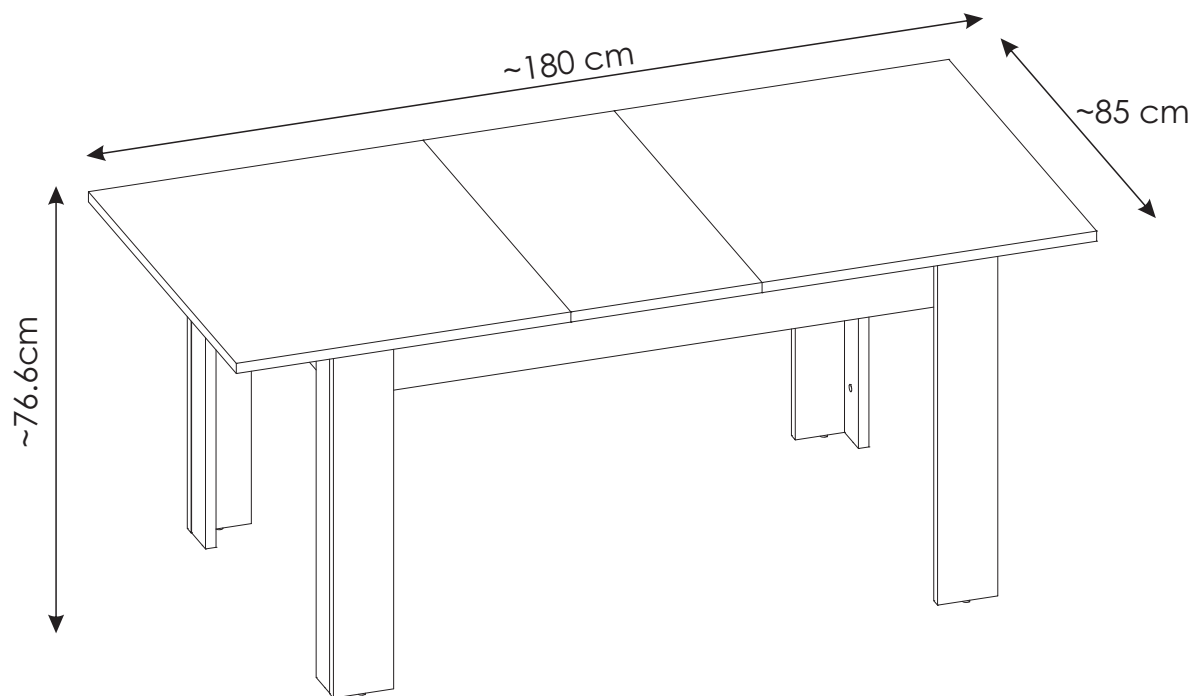
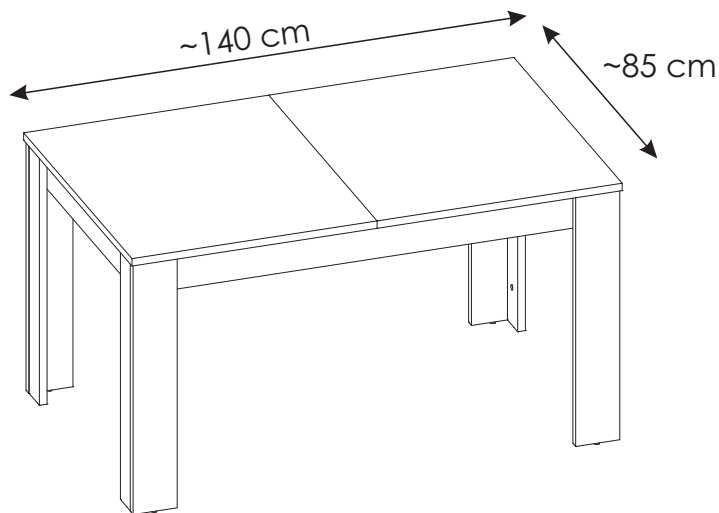
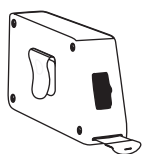
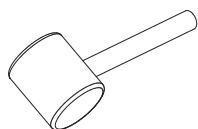
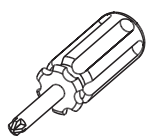
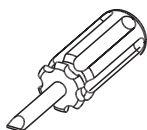
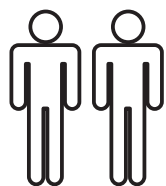
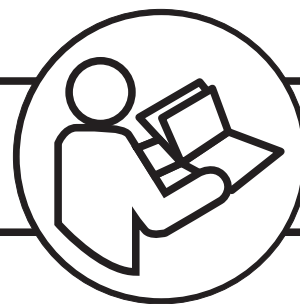
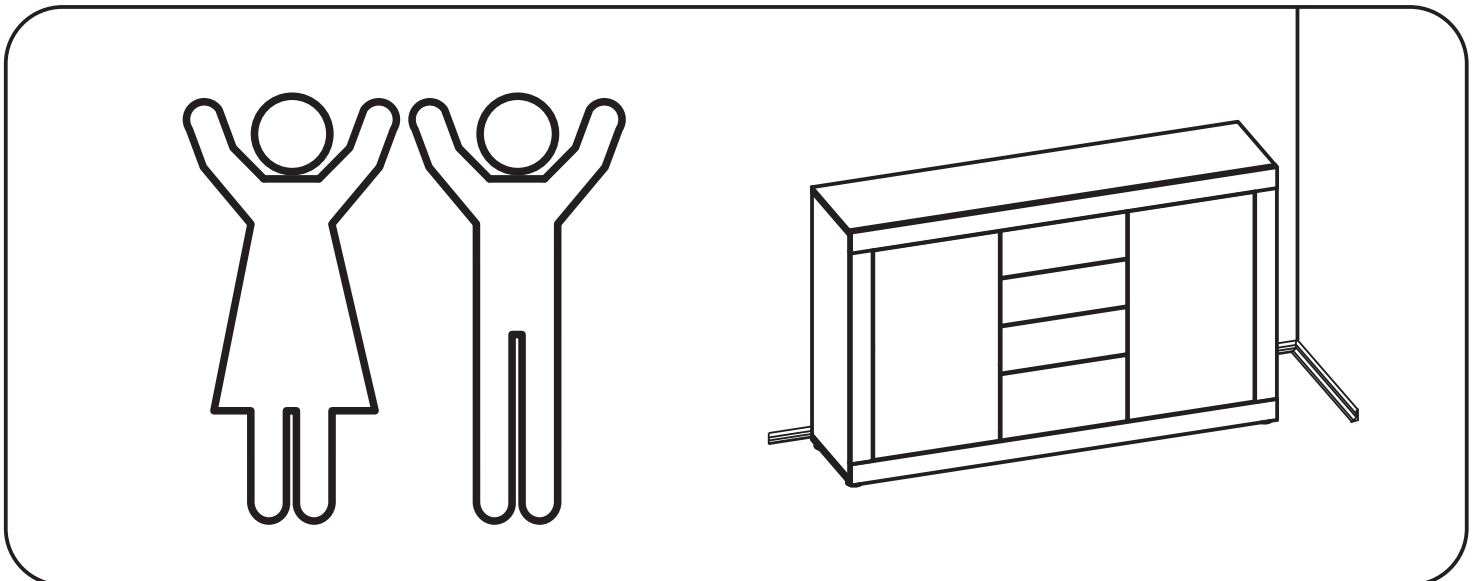
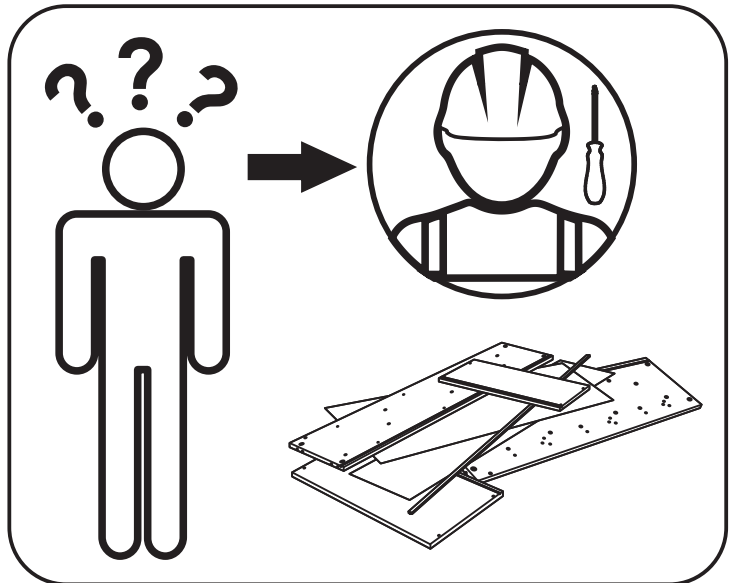
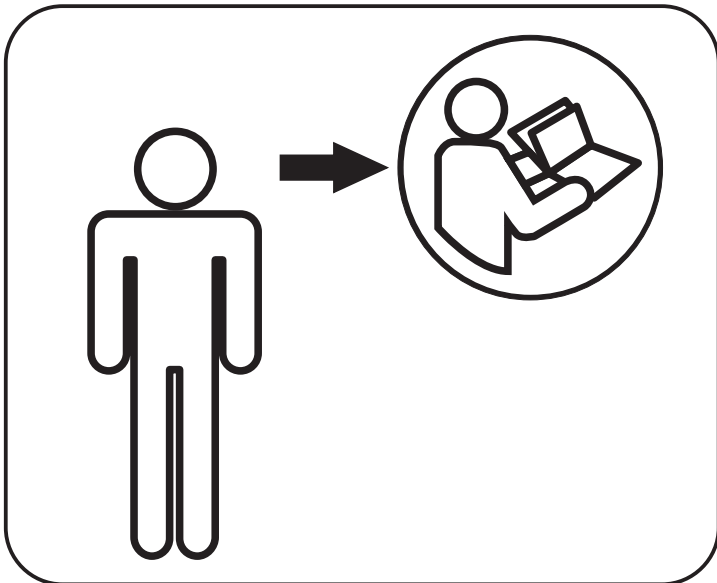
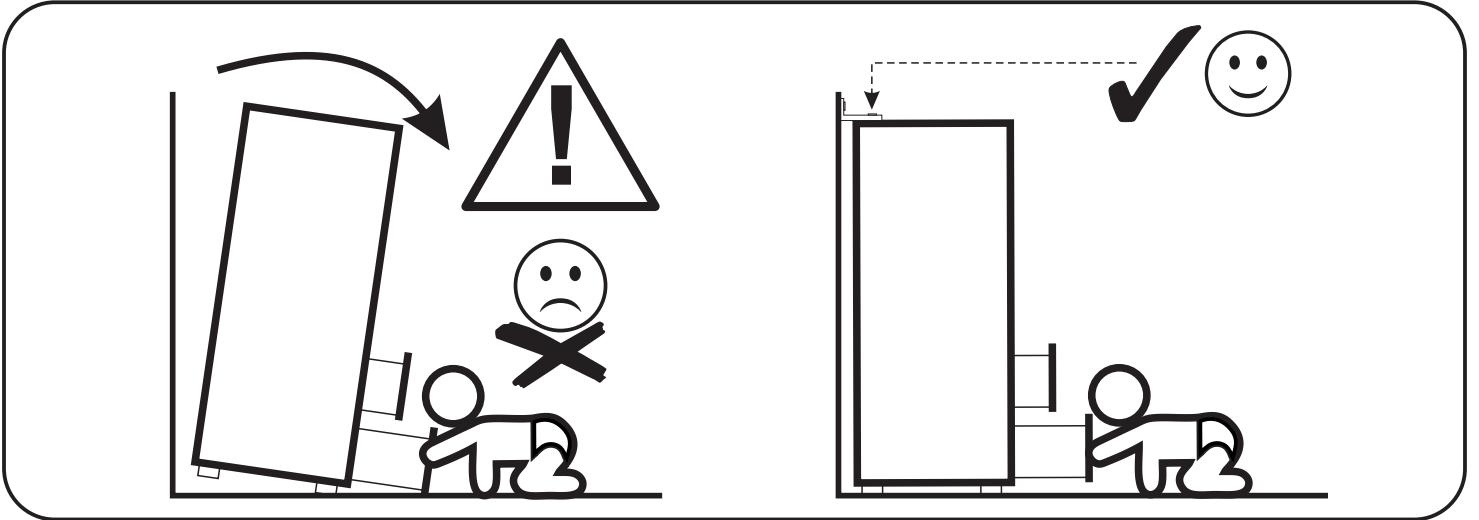
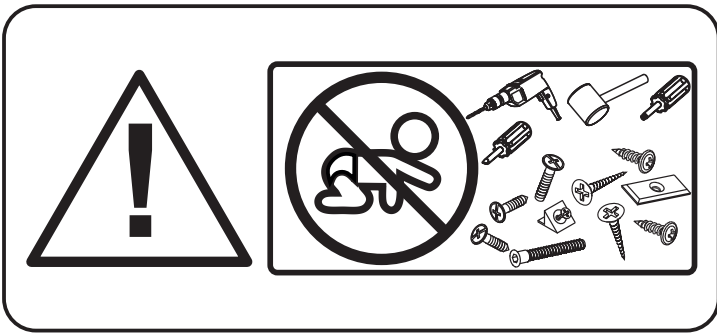


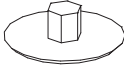

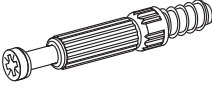


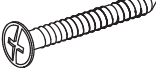
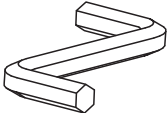
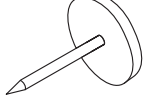
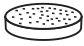
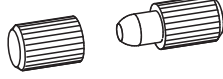
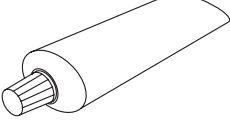
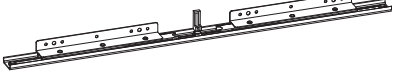


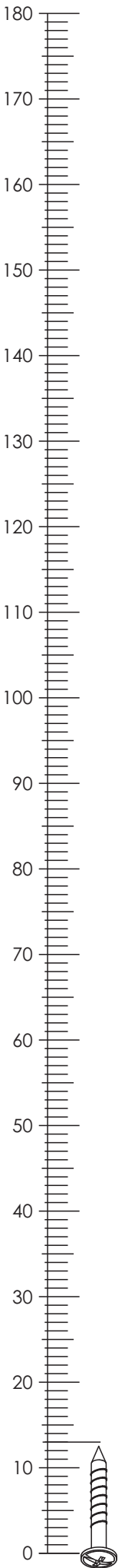
FRIT03



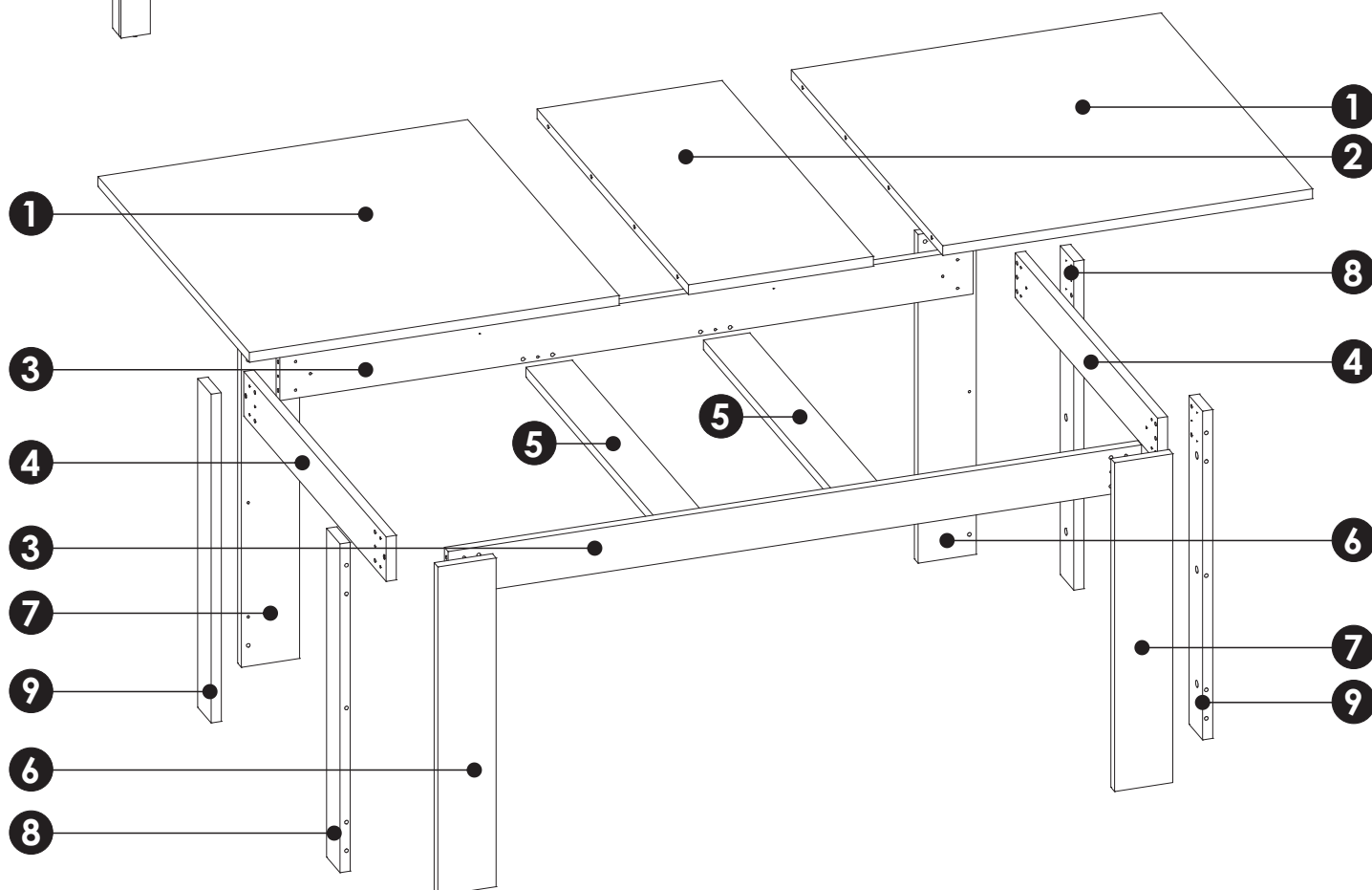
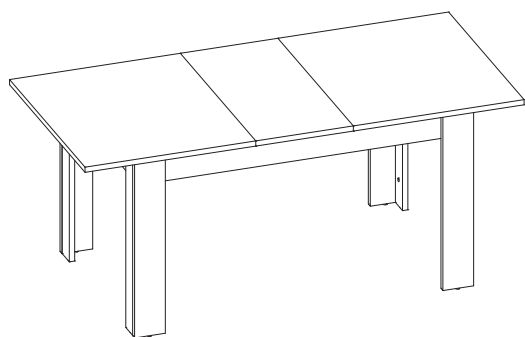


FRIT03

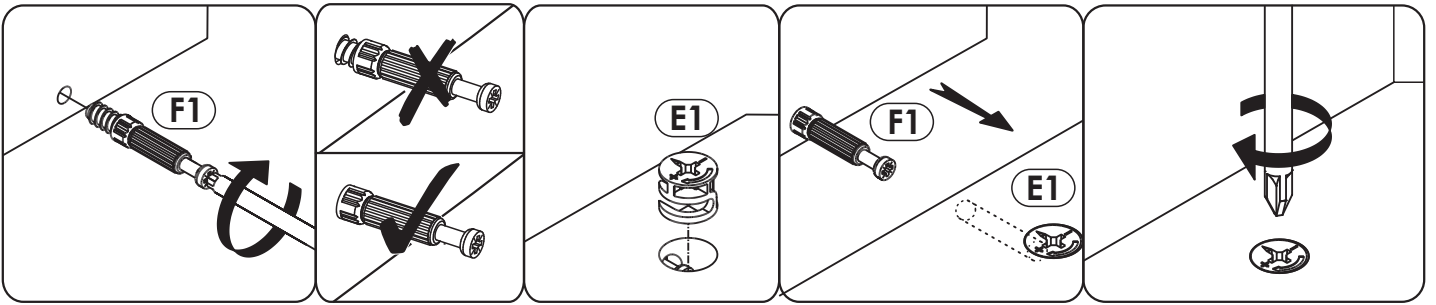
A0 8 x 24 mm x16 	A1 8 x 35 mm x24 	E0 Ø16 x16 
E1 15 x 12 mm x16 	F1 6 x 34 mm x16 	G2 7 x 60 mm x4 
I8 4 x 20 mm x40 	I14 4 x 40 mm x24 	M x1 
O2 x8 	O2A ø20 x8 	R8 x8 
S x1 	T12 L - 700 mm x2 	



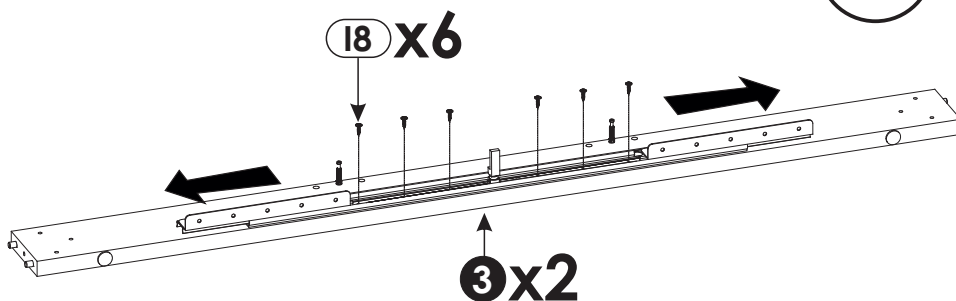
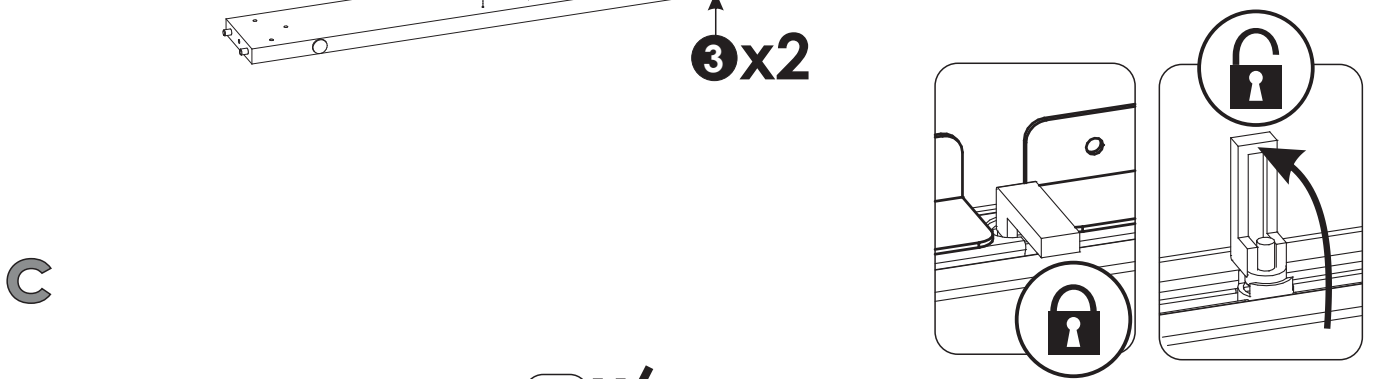
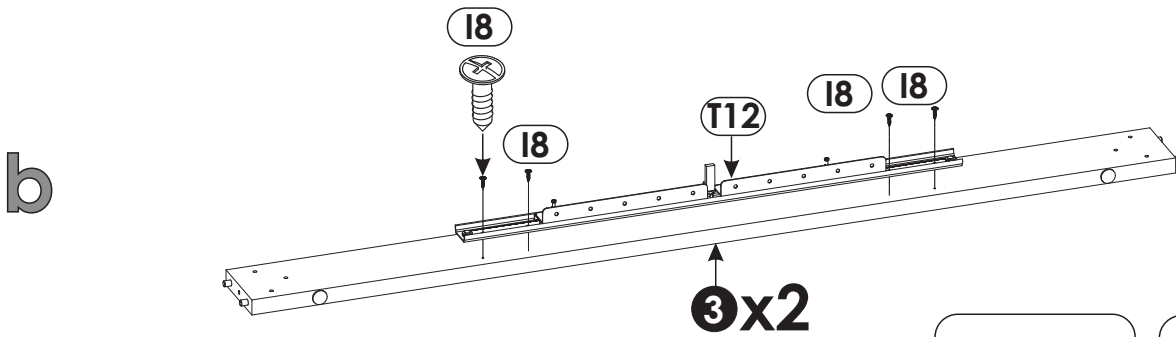
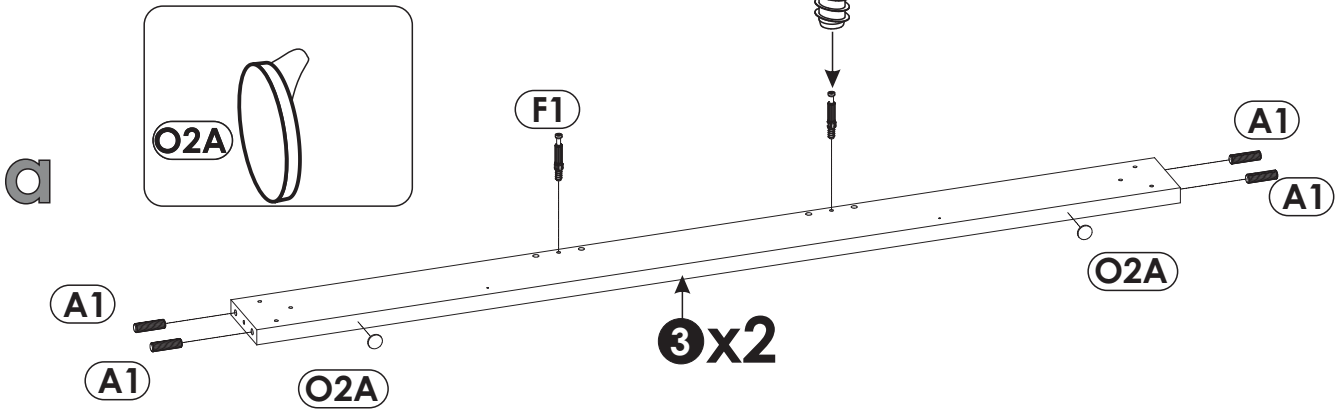
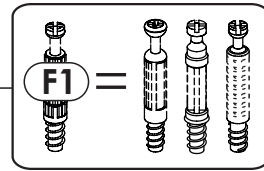
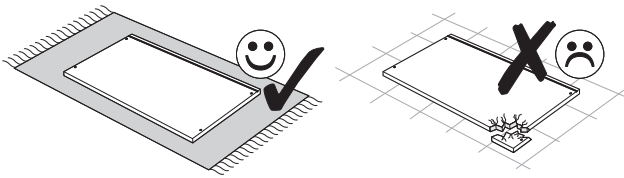
FRIT03



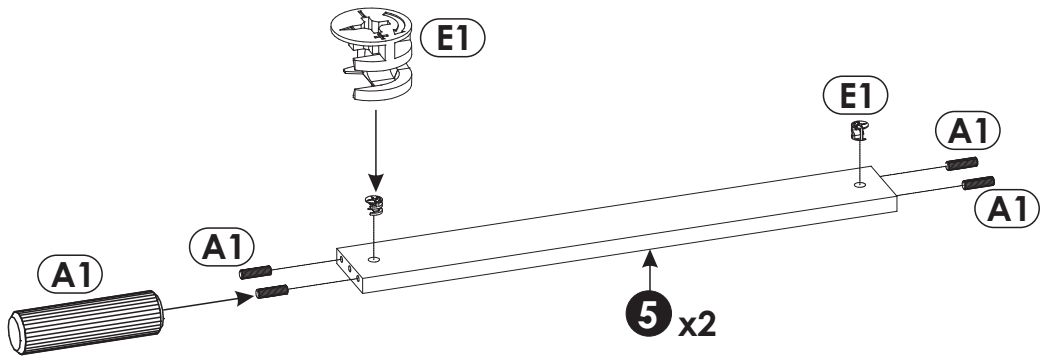
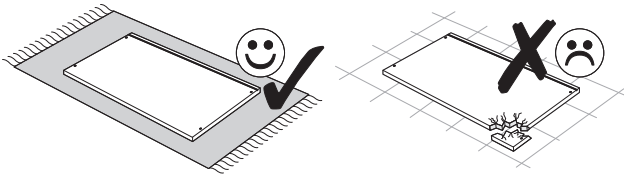
1	850	700	22	x2	2/2
2	850	400	22	x1	2/2
3	1300	100	22	x2	1/2
4	796	100	22	x2	1/2
5	752	100	22	x2	2/2
6	737	126	22	x2	1/2
7	737	126	22	x2	1/2
8	737	80	22	x2	1/2
9	737	80	22	x2	1/2



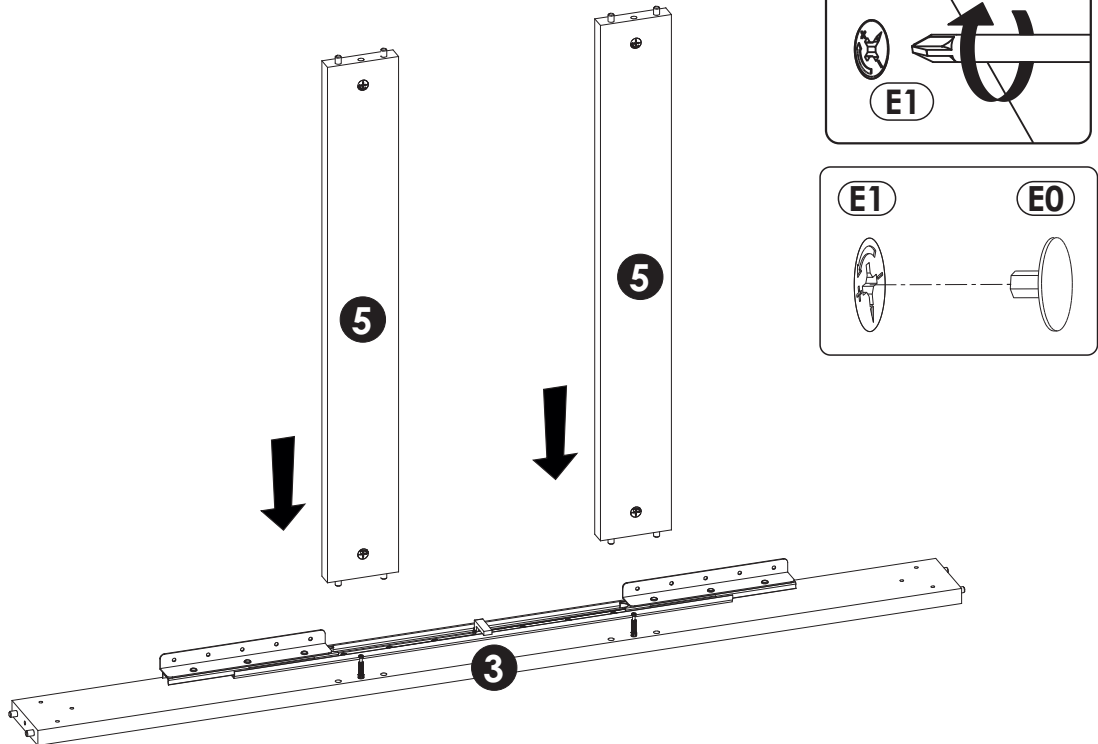
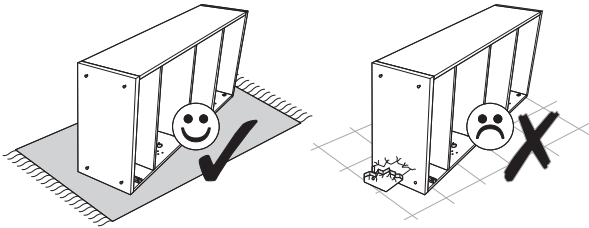
1 ▶



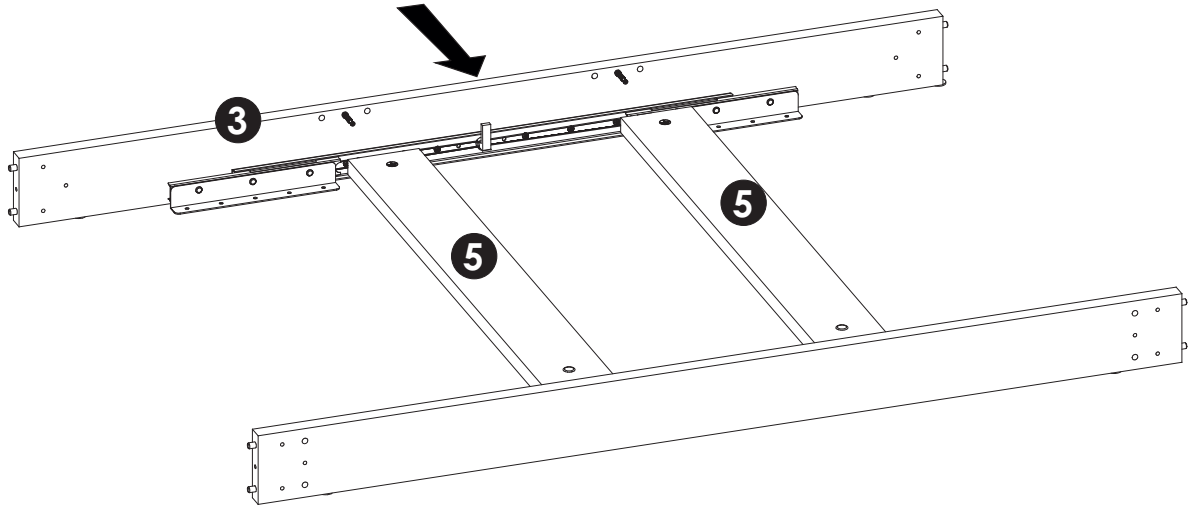
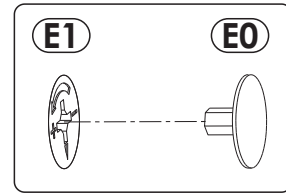
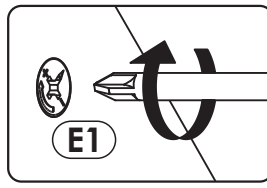
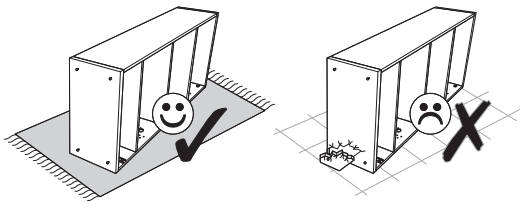
2▶



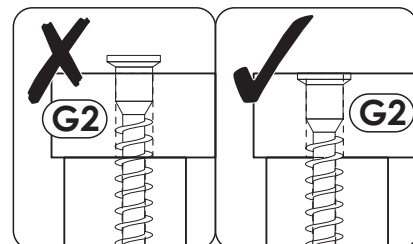
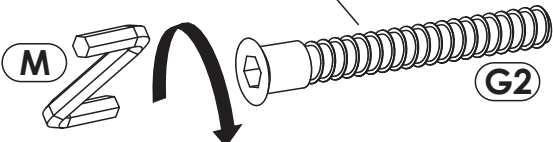
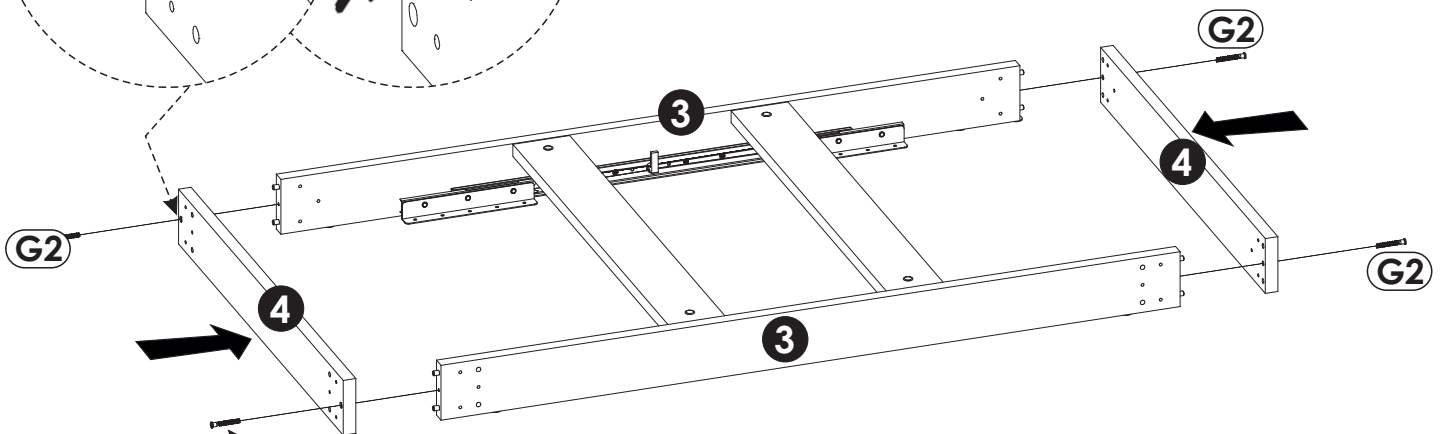
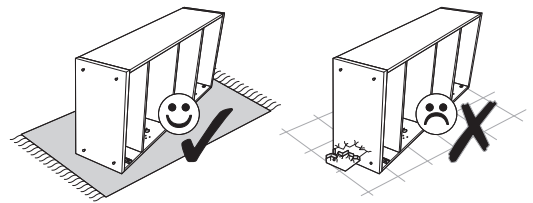
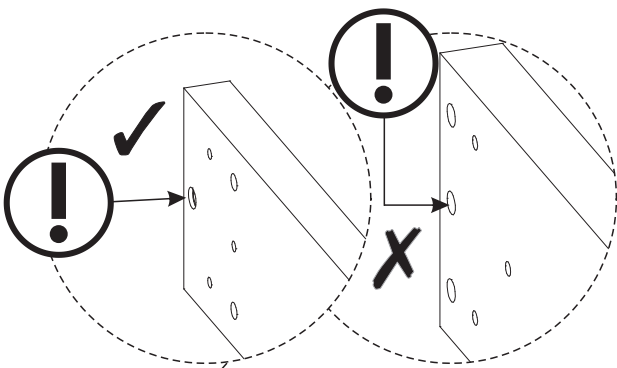
3▶



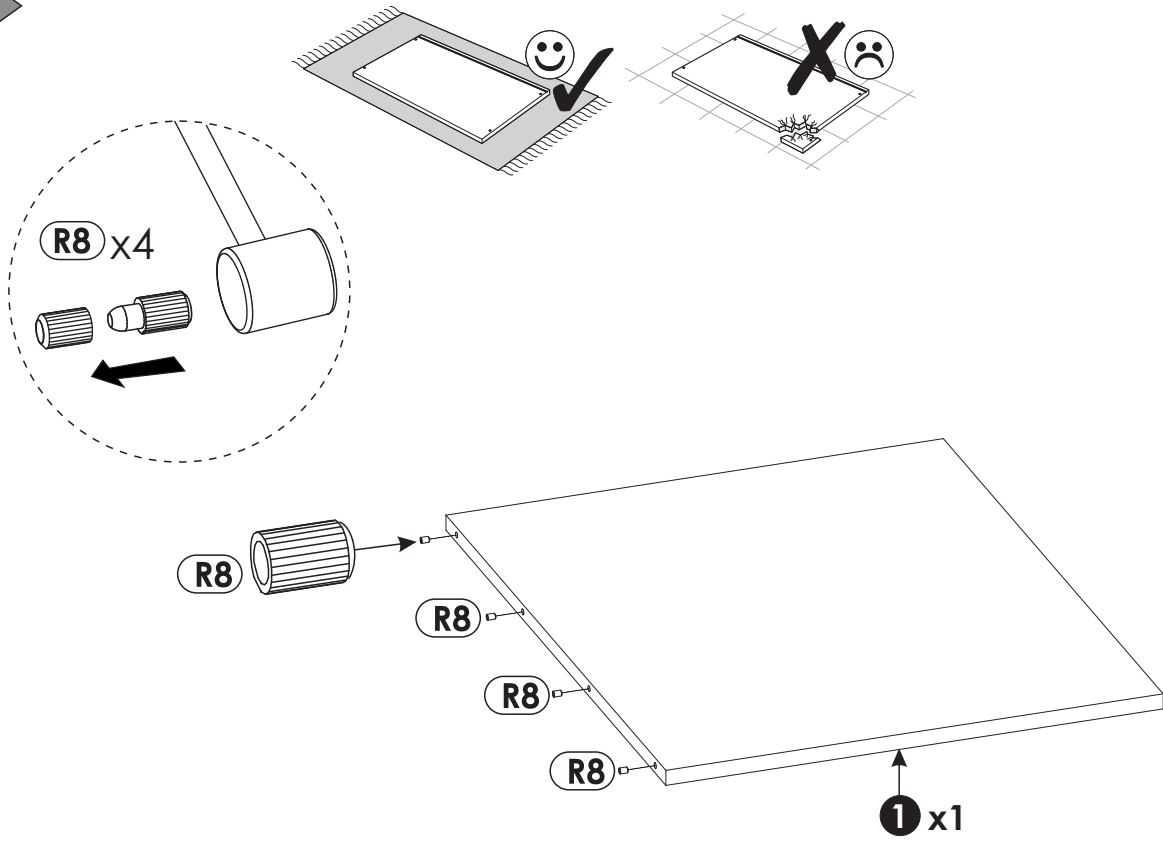
4 ▶



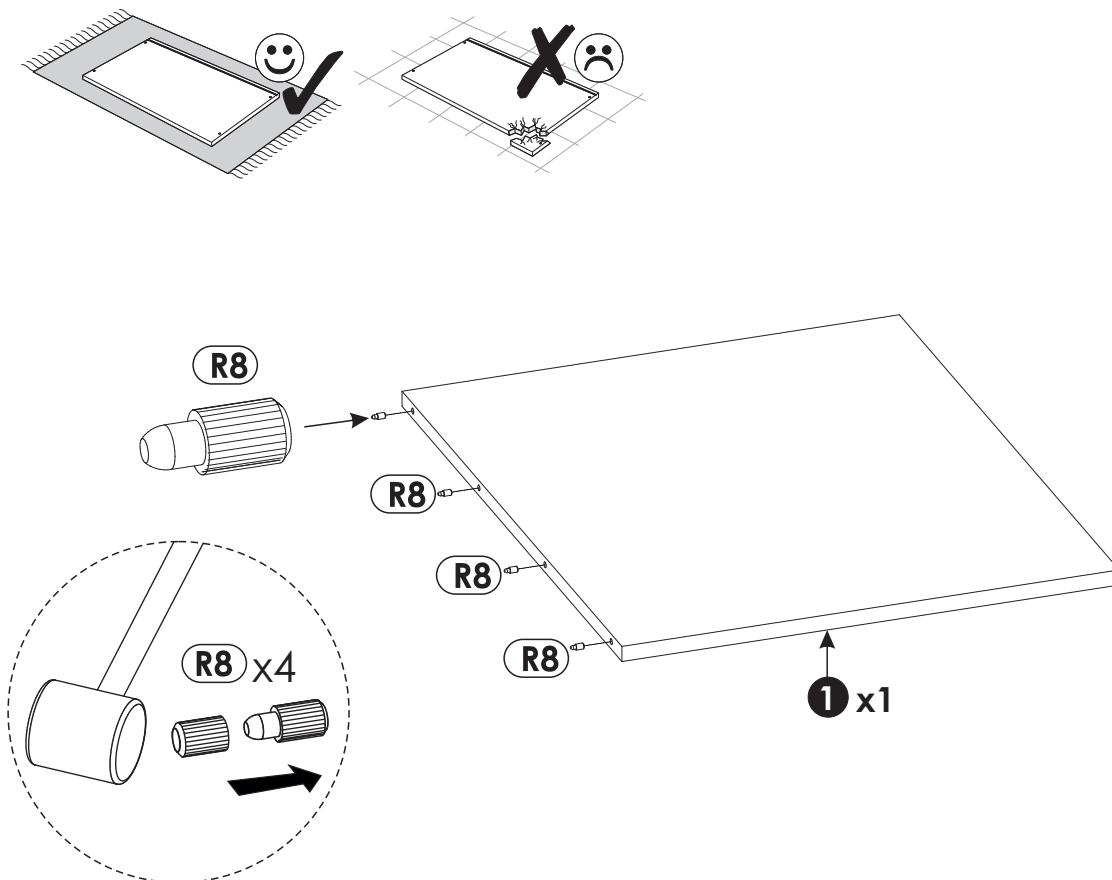
5 ▶



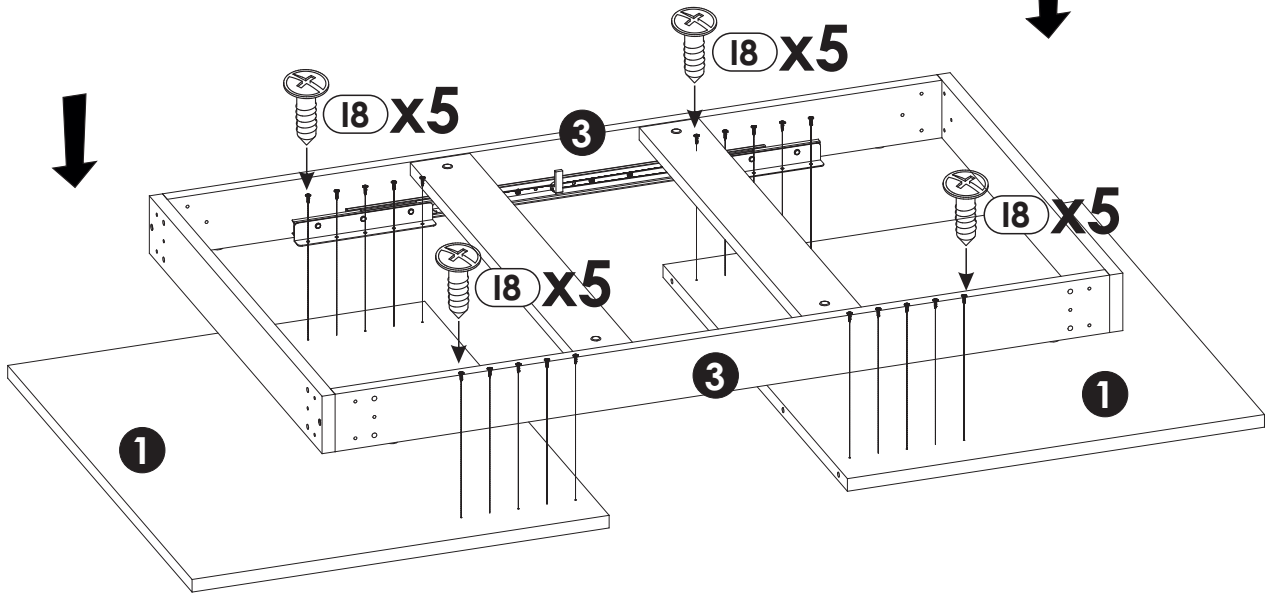
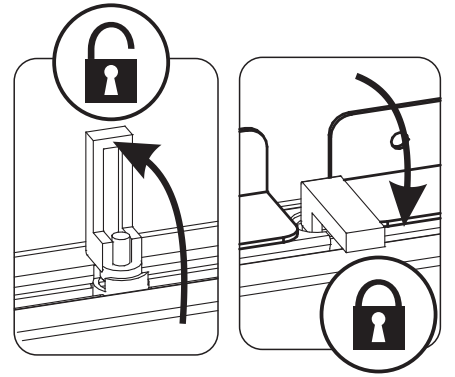
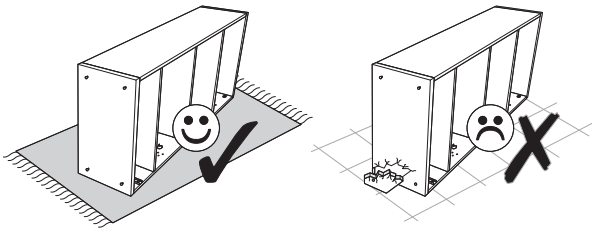
6 ▶



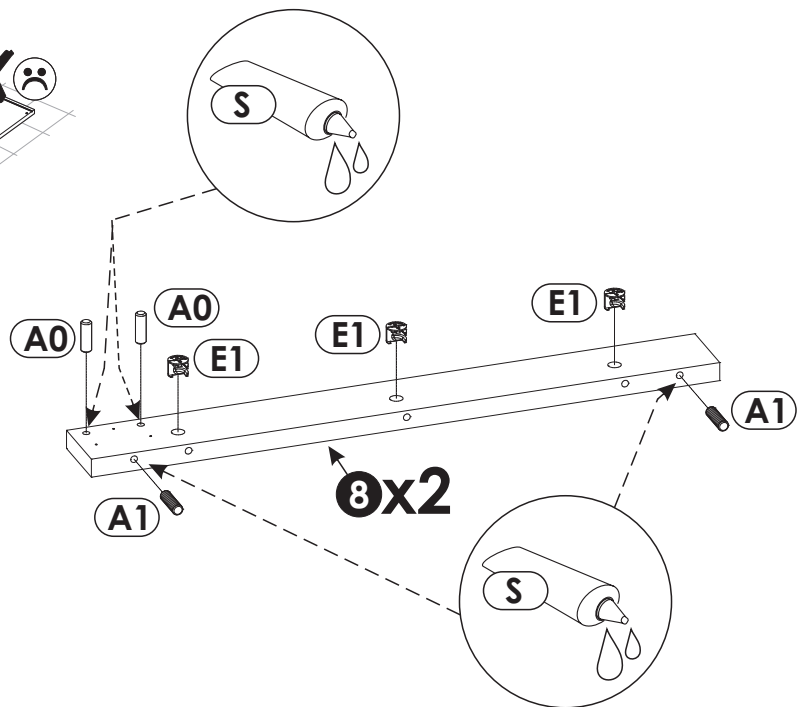
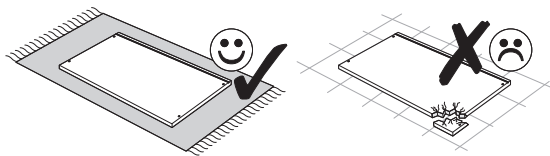
7 ▶



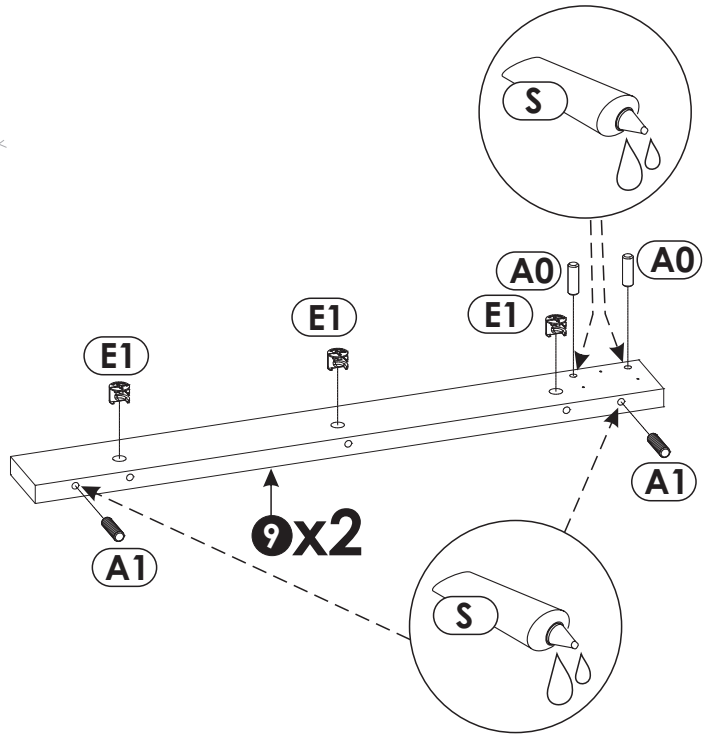
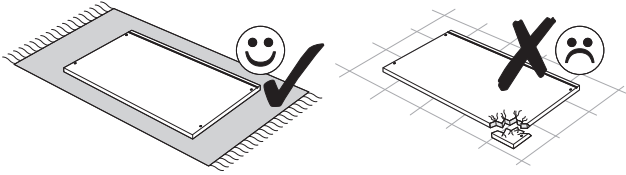
8 ▶



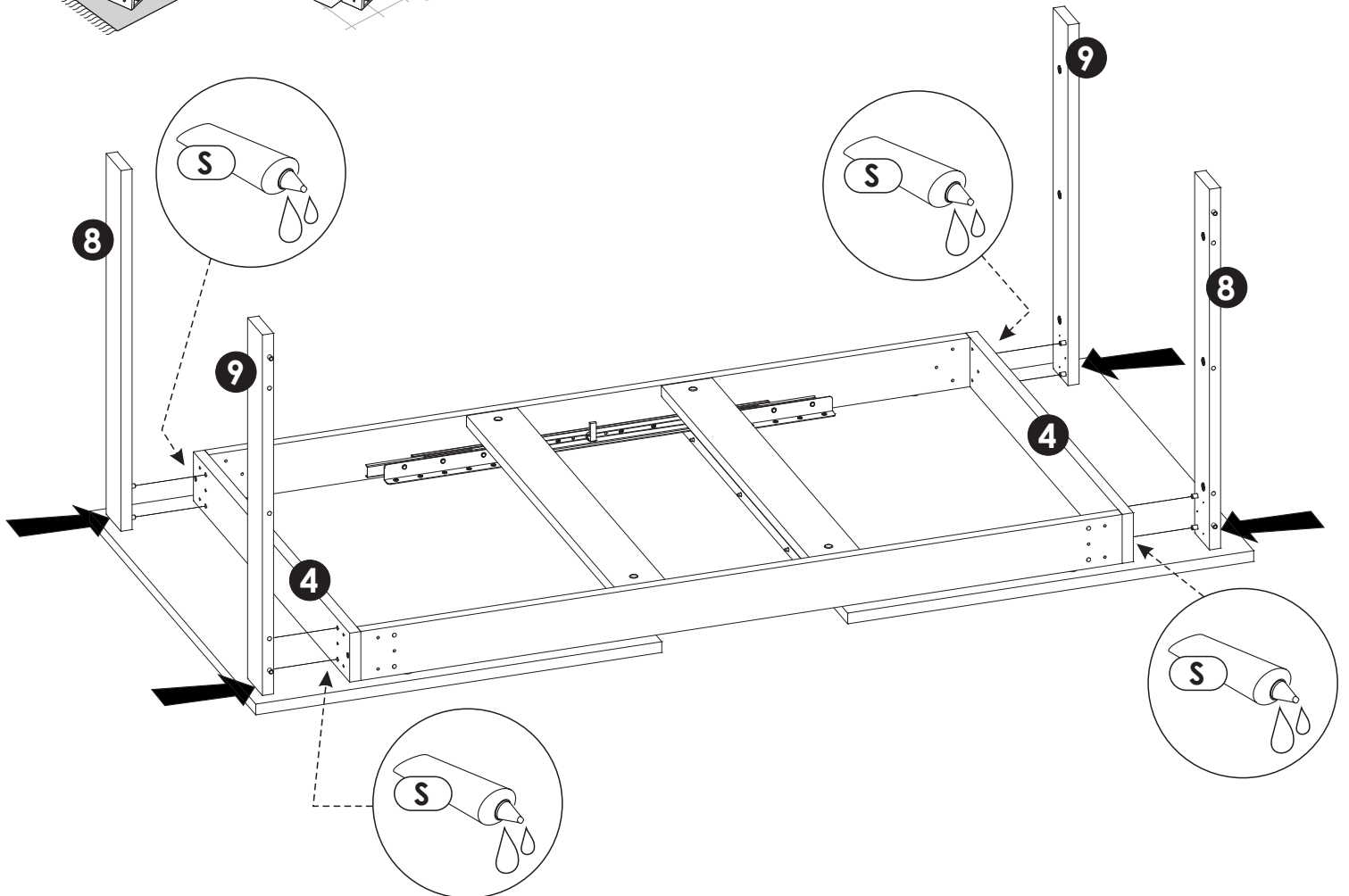
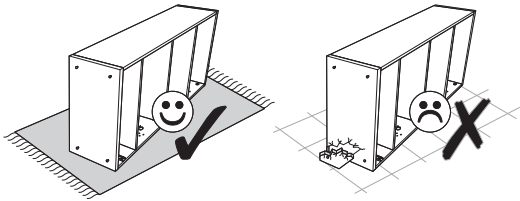
9 ▶



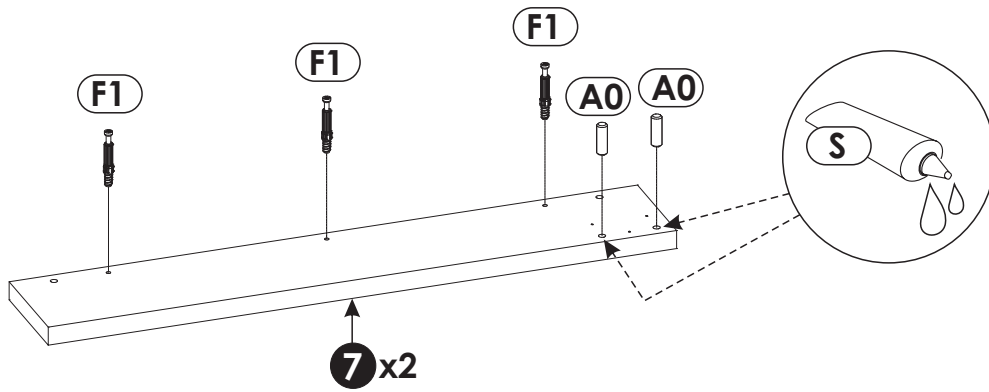
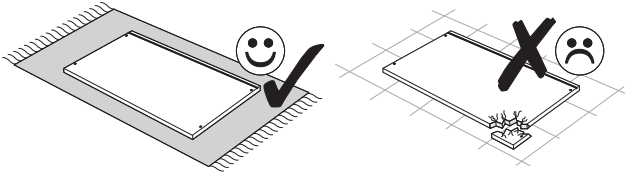
10 ▶



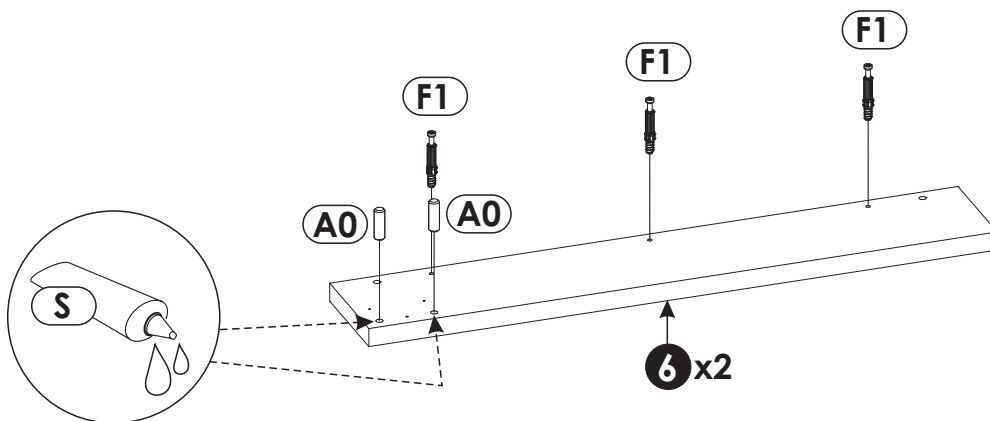
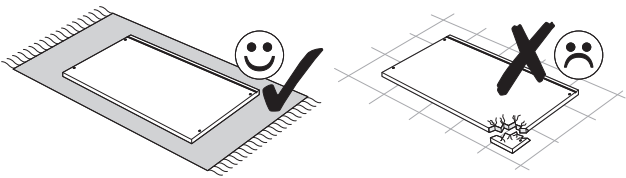
11 ▶



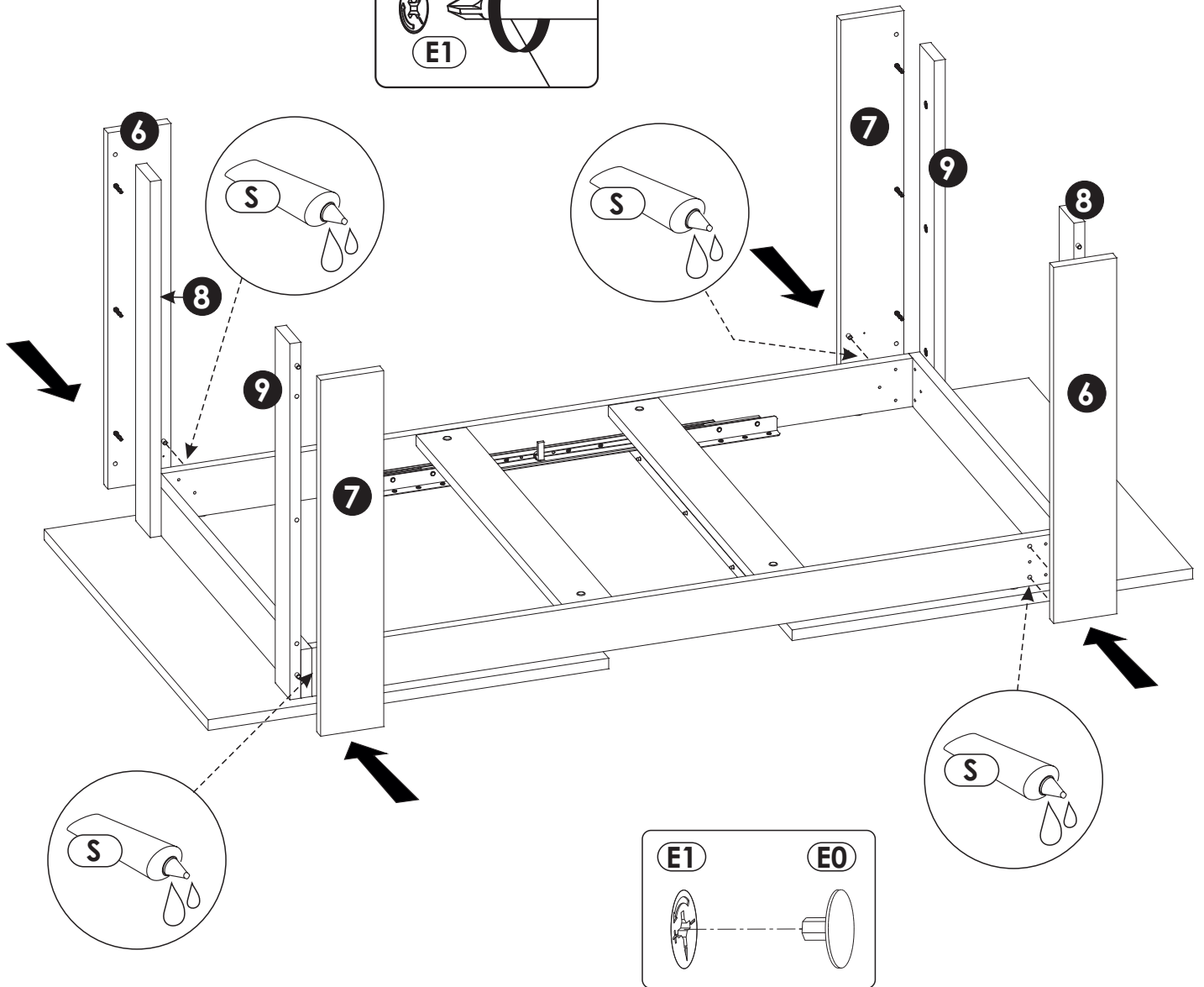
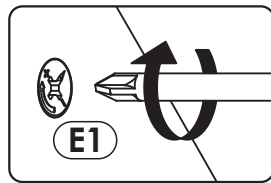
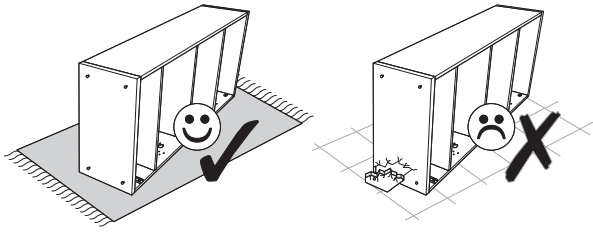
12▶



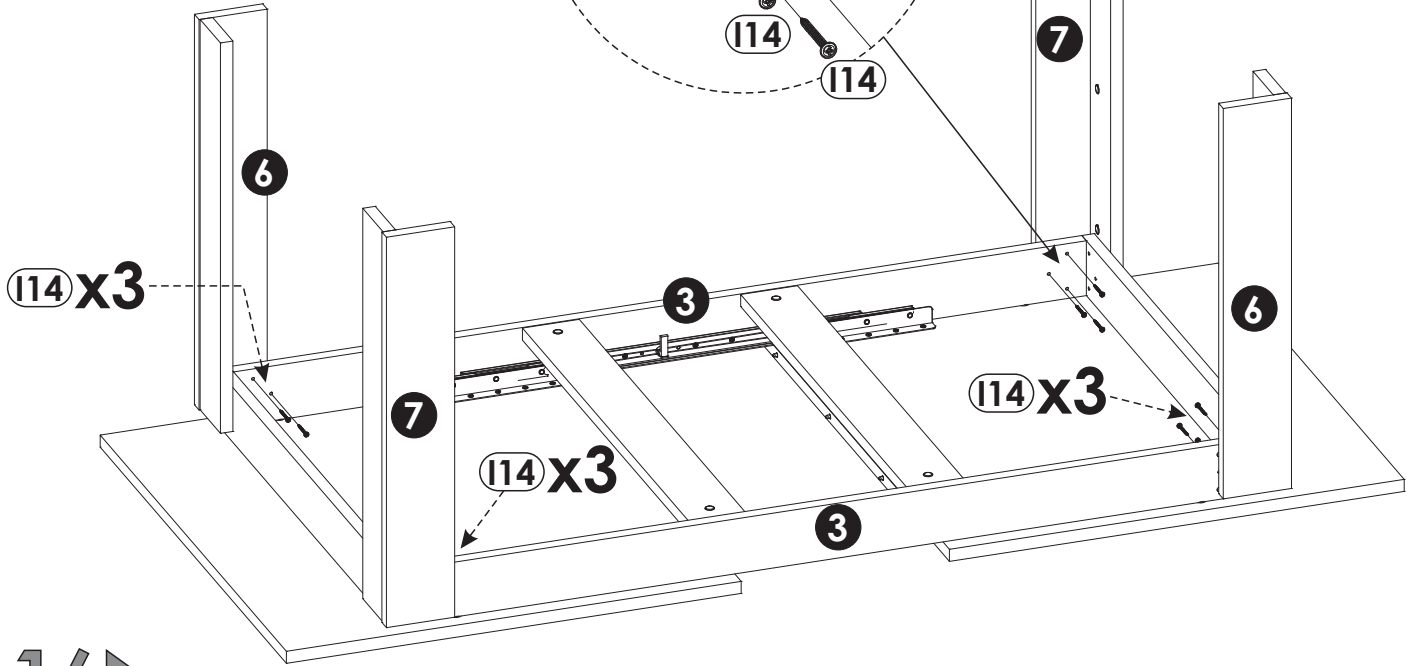
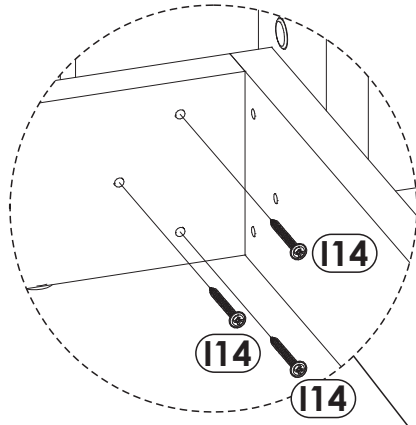
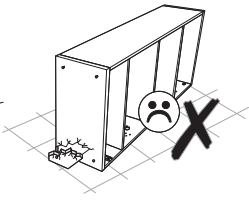
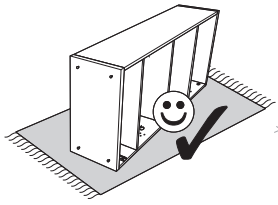
13▶



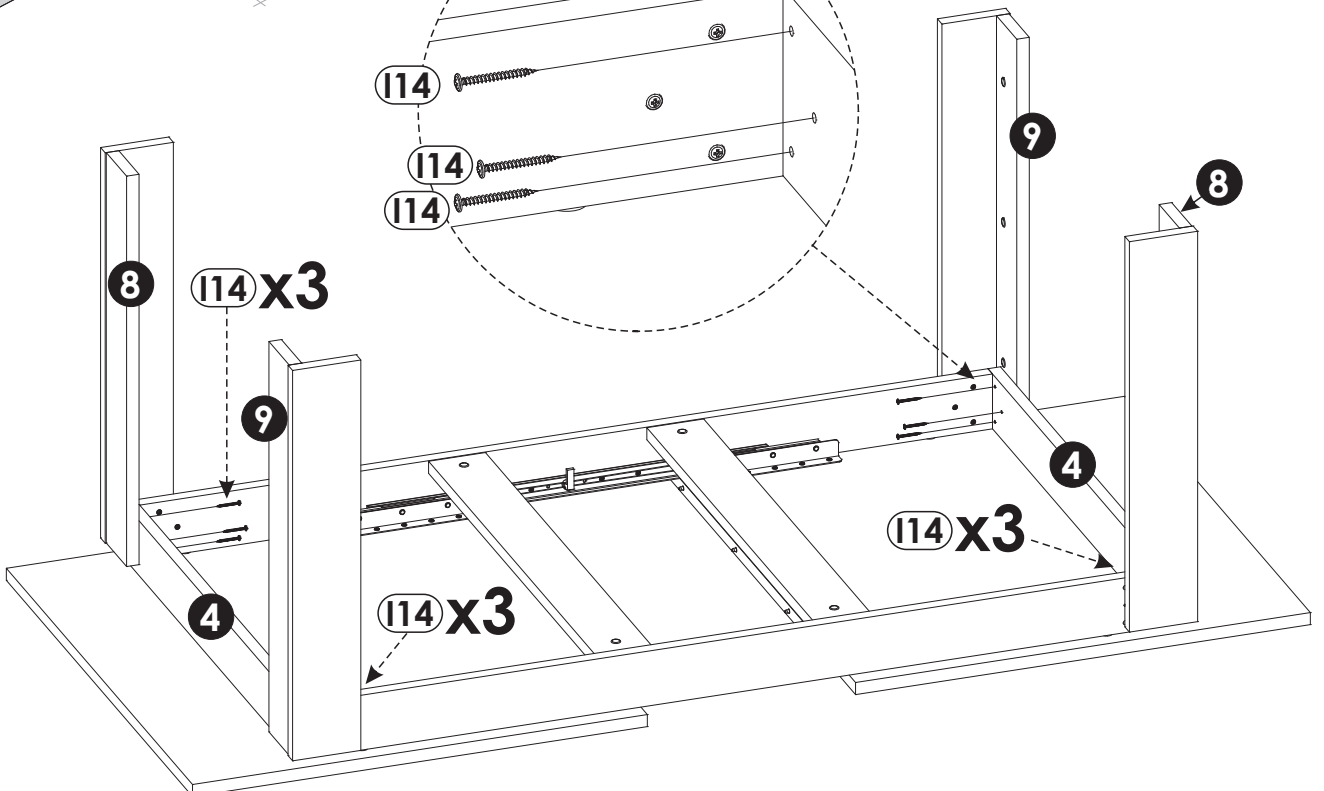
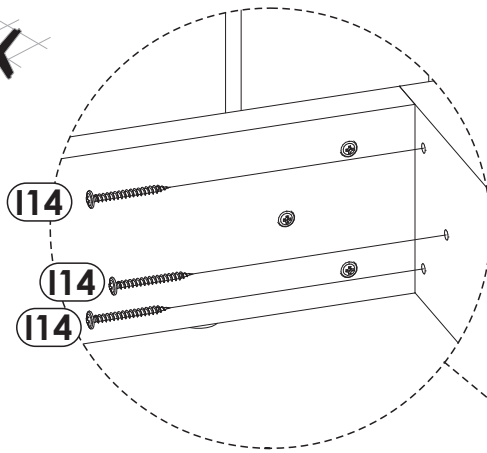
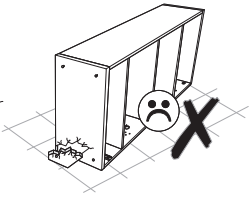
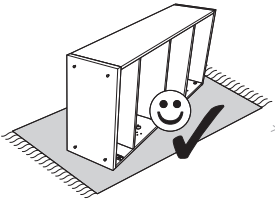
14▶



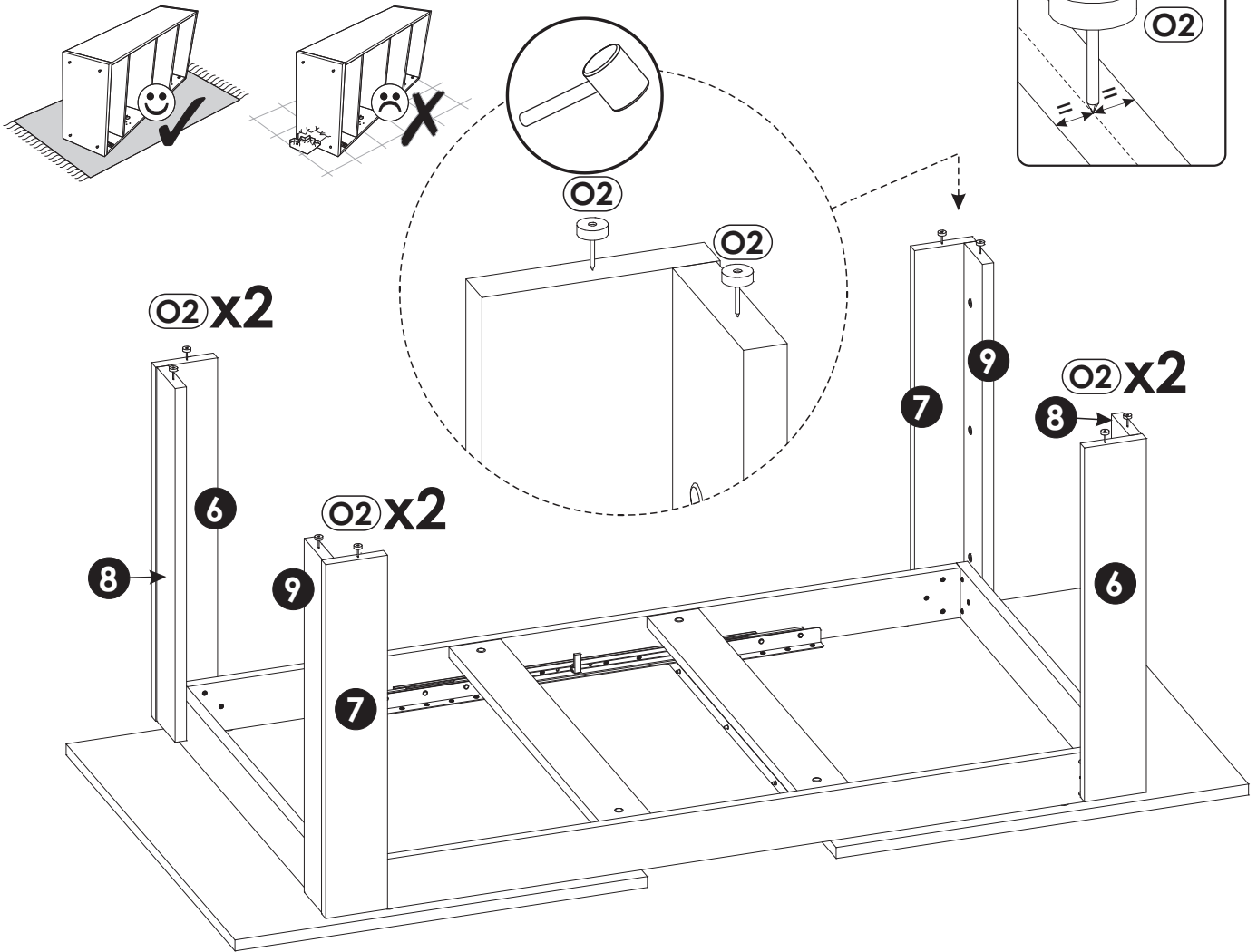
15 ▶



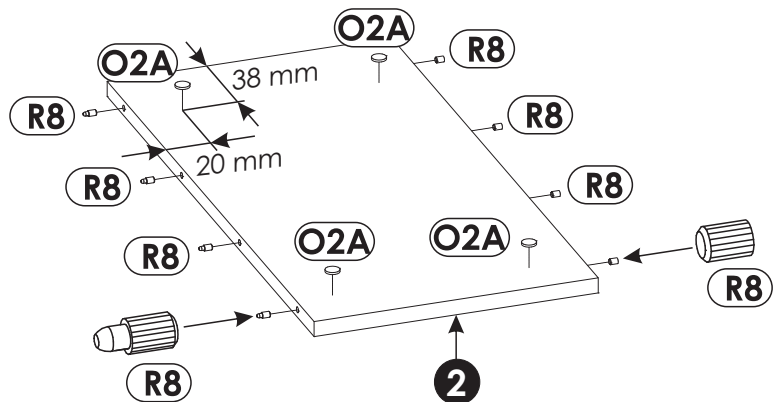
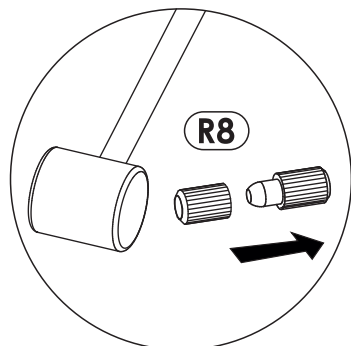
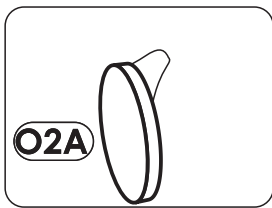
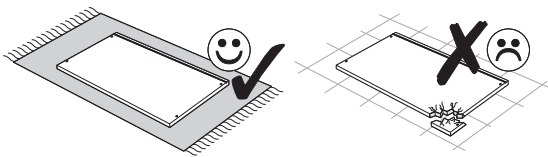
16 ▶



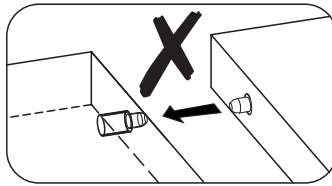
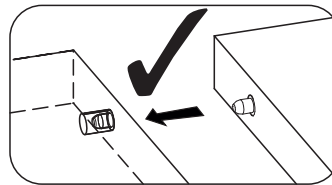
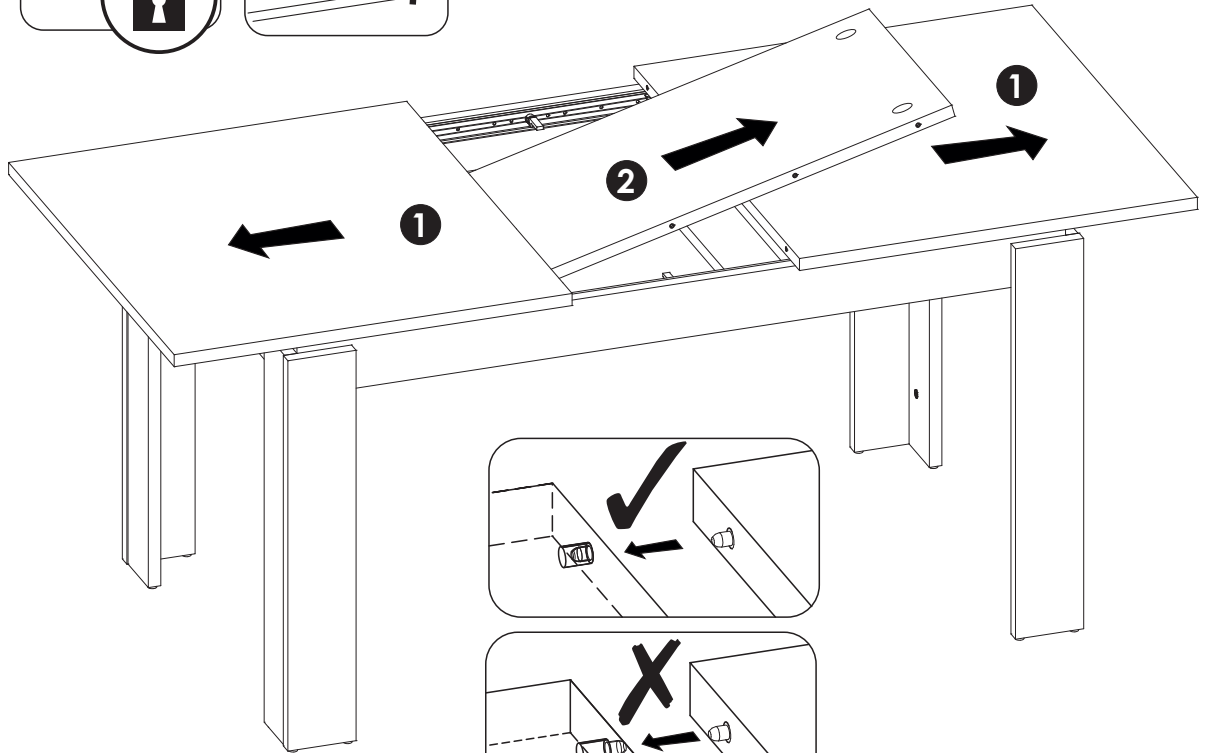
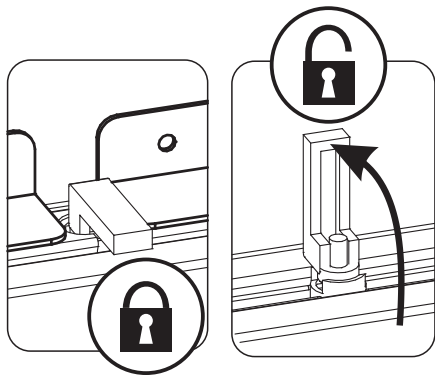
17 ▶



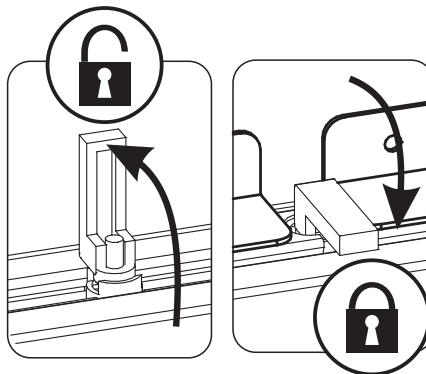
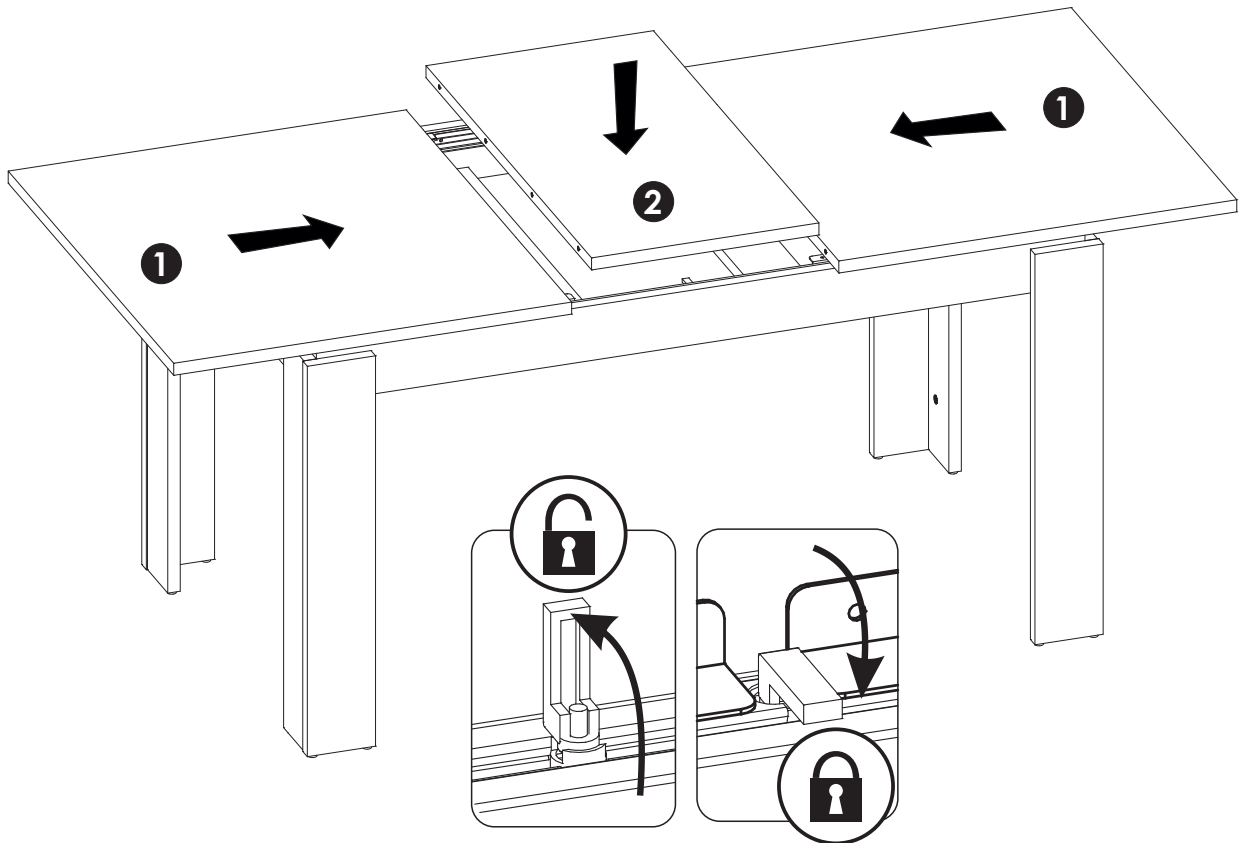
18 ▶

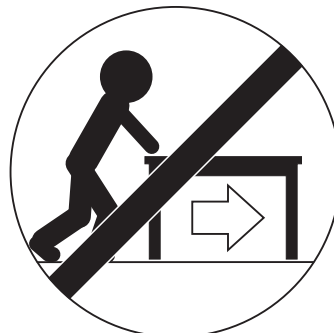
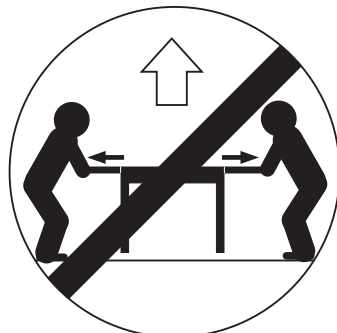
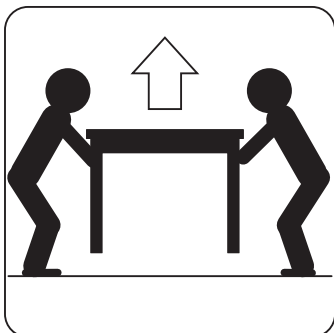
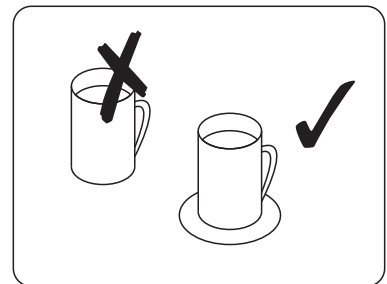
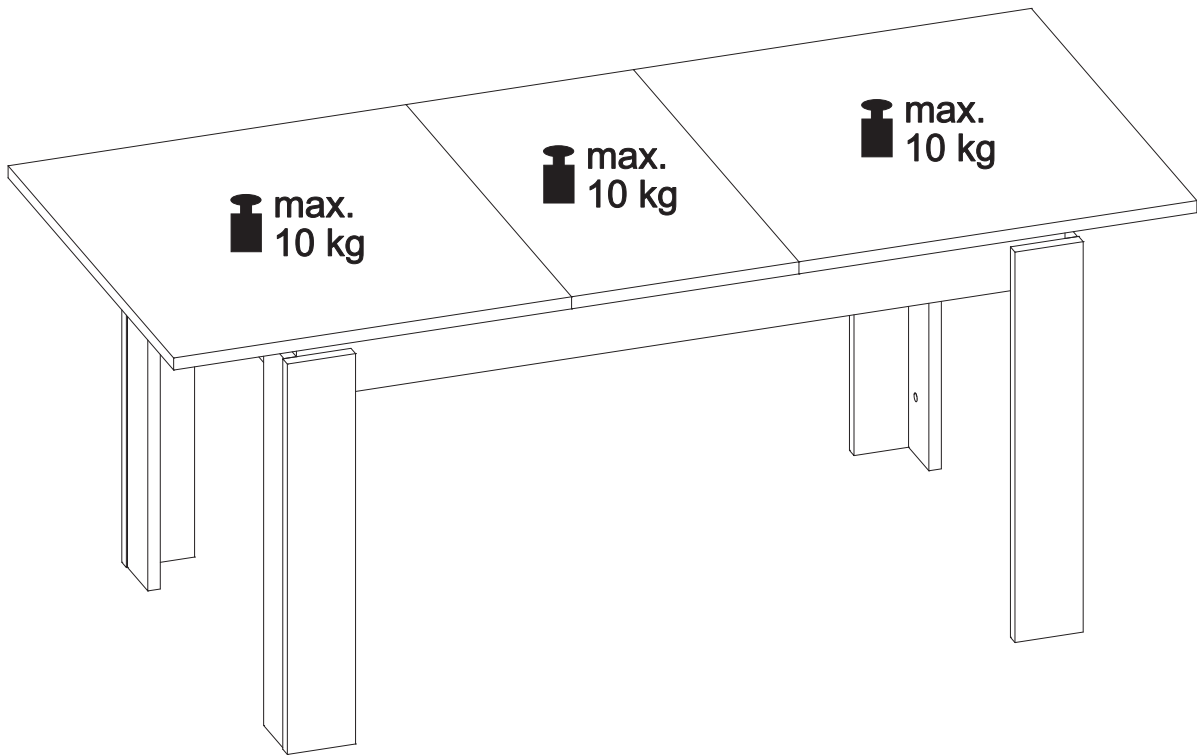


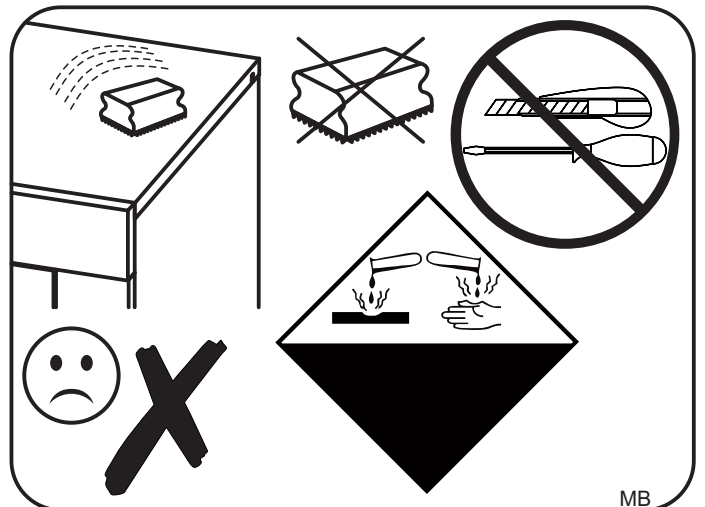
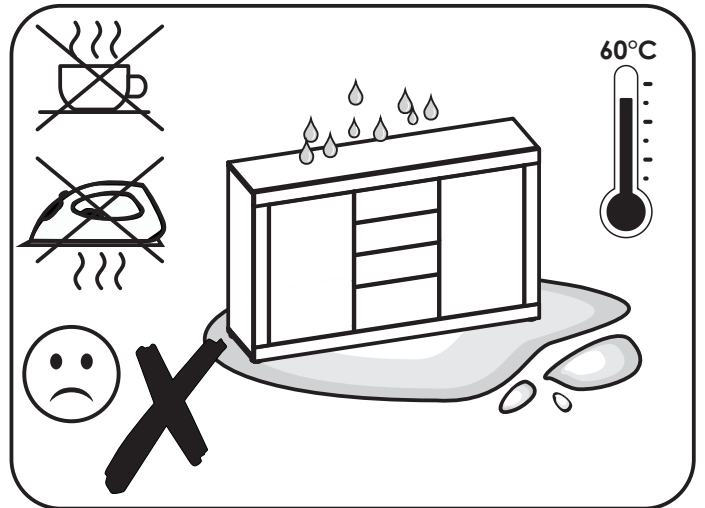
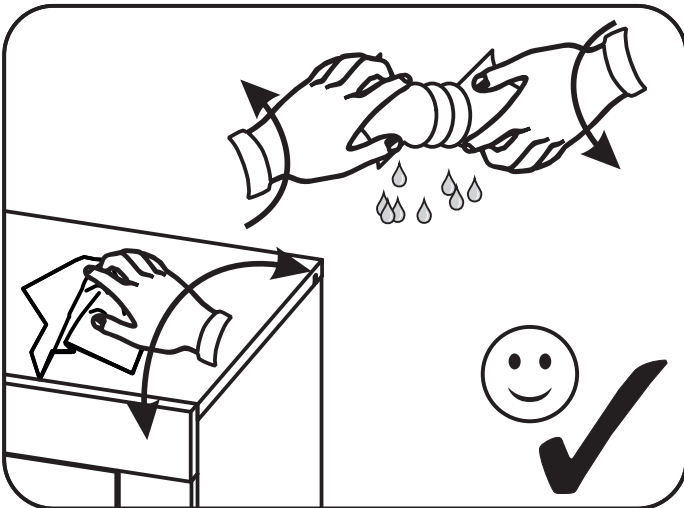
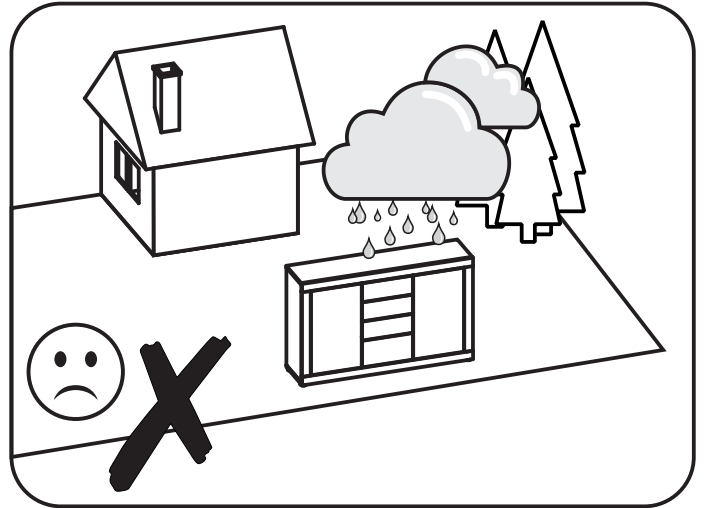
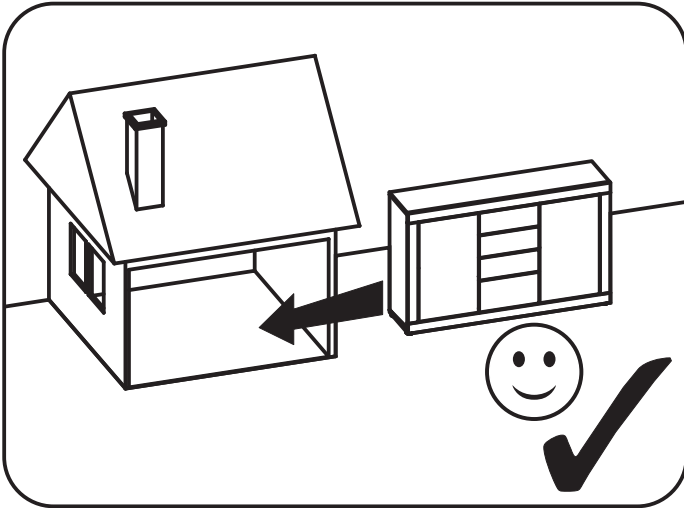
19▶



20▶







MB